

Complete Data Sheet available via web, Harris' home page: <http://www.semi.harris.com> or via Harris AnswerFAX, see Section 17

Quad Monolithic SPST, CMOS Analog Switches

August 1997

Features

- Low Power Consumption
- CMOS Compatible
- $\pm 15V$ Analog Signal Range
- Single or Dual Supply Capability
- Alternate Source

Ordering Information

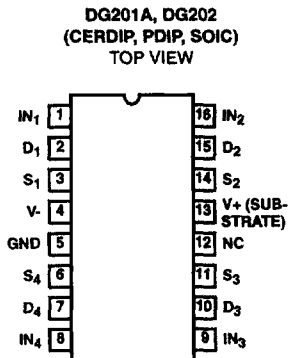
PART NUMBER	TEMP. RANGE (°C)	PACKAGE	PKG. NO.
DG308ACJ	0 to 70	16 Ld PDIP	E16.3
DG308ACY	0 to 70	16 Ld SOIC	M16.15
DG308AAK/883B	-55 to 125	16 Ld CERDIP	F16.3
DG309AK	-55 to 125	16 Ld CERDIP	F16.3
DG309CJ	0 to 70	16 Ld PDIP	E16.3
DG309CY	0 to 70	16 Ld SOIC	M16.15
DG309AK/883B	-55 to 125	16 Ld CERDIP	F16.3

Description

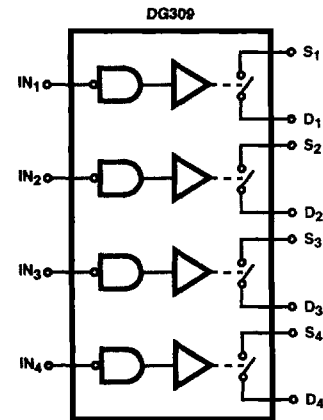
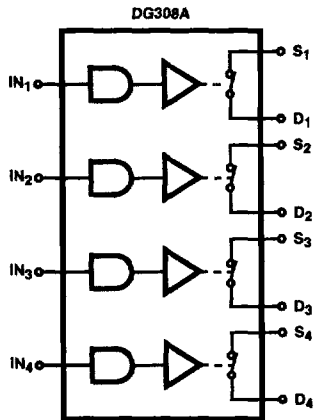
The DG308A and DG309 quad monolithic SPST, CMOS switches are latch proof and are designed to block signals up to $30V_{P-P}$ when OFF. Featuring low ON resistance, low power consumption, and rail-to-rail analog signal range, these switches are ideally suited for high speed switching applications in communications, instrumentation and process control. The DG308A "normally-closed" and DG309 "normally-open" switches have single and dual supply capability. The input thresholds are CMOS compatible.

The DG308A and DG309 switches are available over commercial, and military temperature ranges.

Pinout



Functional Block Diagrams



NOTES:

1. Four SPST switches per package.
2. Switches shown for logic "1" input.

TRUTH TABLE

LOGIC	DG201A	DG202
0	ON	OFF
1	OFF	ON

Logic "0" $\leq 0.8V$, Logic "1" $\geq 2.4V$