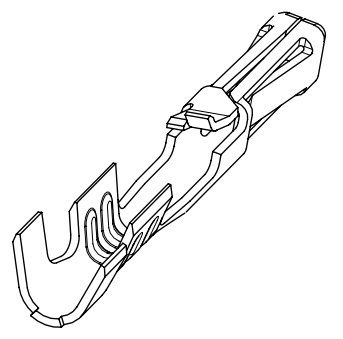


NOTES:

1. MATERIAL: PHOSPHOR BRONZE
2. PLATING:
 - 124 = SELECT BRIGHT TIN: 3.75 MICROMETERS MIN OVER NICKEL
 - 207 = SELECT HARD GOLD: 0.38 MICROMETERS MIN.
SELECT TIN: 2.0 MICROMETERS MIN BOTH OVER NICKEL
 - 206 = SELECT HARD GOLD: 0.75 MICROMETERS MIN.
SELECT TIN: 2.0 MICROMETERS MIN BOTH OVER NICKEL
 - P124 = PREPLATED OVERALL BRIGHT TIN: 3.75 MICROMETERS MIN OVER NICKEL
(MAY HAVE UNPLATED EDGES)
3. PRODUCT SPECIFICATION: TERMINALS CONFORM TO PS-70058 AND PS-70400 WHEN CRIMPED WITH MOLEX CRIMP TOOLS.
4. COSMETIC SPECIFICATION: PS-45499-002 CLASS B
5. TERMINAL FOR USE WITH HOUSING SERIES 70066 AND 70450
6. WIRE SPECIFICATION: TERMINALS STAMPED WITH THE LETTER:
 - A = ACCEPTS 24-30 AWG STRANDED WIRE WITH A 1.52 MAX INSULATION DIA
 - B = ACCEPTS 32-36 AWG STRANDED WIRE WITH A 0.64 MAX INSULATION DIA.
 - C = ACCEPTS 22-24 AWG STRANDED WIRE WITH A 1.63 MAX INSULATION DIA

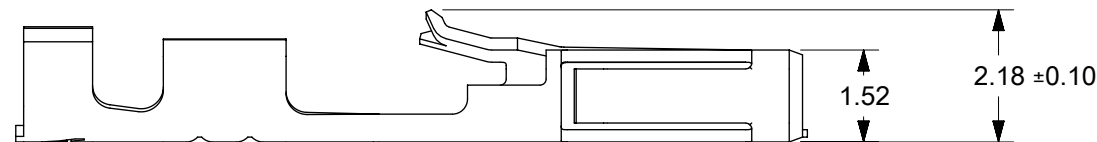
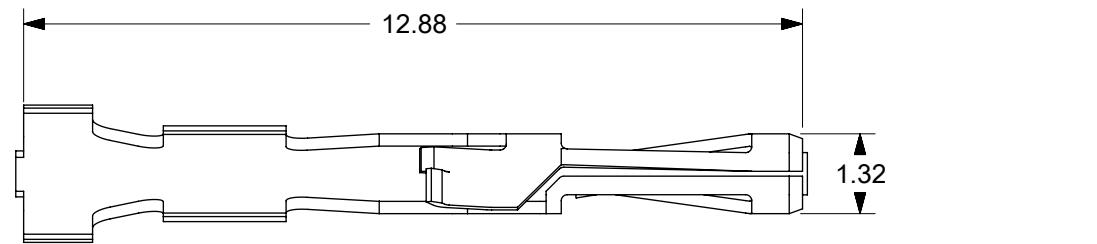
**TERMINALS ON THIS SHEET ARE FOR USE
WITH 24-30 AWG WIRE.
SEE SHEETS 2 FOR OTHER WIRE SIZES**



MATERIAL NO:	PACKAGING	PLATING SEE NOTE 2	WIRE SIZE	MAX INSULATION DIA
70058-1069	REEL	124 SELECT TIN	24-30 AWG	1.52 DIA MAX
70058-1096	LOOSE			
70058-0082	REEL	207 0.38 GOLD		
70058-0097	LOOSE			
70058-0083	REEL	206 0.75 GOLD		

THIS DRAWING CONTAINS INFORMATION THAT IS PROPRIETARY TO MOLEX ELECTRONIC TECHNOLOGIES, LLC AND SHOULD NOT BE USED WITHOUT WRITTEN PERMISSION									
DIMENSION UNITS mm	SCALE 8:1	CURRENT REV DESC: REMOVED OBSOLETE PART NUMBER AS PER PCN#511695.			molex				
GENERAL TOLERANCES (UNLESS SPECIFIED)		EC NO: 730178							
ANGULAR TOL	± °	DRWN: SANTHN 2022/12/02			SL CRIMP TERMINAL (24-30 AWG WIRE)				
4 PLACES	±	CHKD: GGA 2023/01/04							
3 PLACES	±	APPR: GGA 2023/01/04			PRODUCT CUSTOMER DRAWING				
2 PLACES	± 0.15	INITIAL REVISION:							
1 PLACE	± 0.25	DRWN: KSAMIEC 2017/05/03			DOCUMENT NUMBER 700580000-SD				
0 PLACES	± 0.0	APPR: FSMITH 2017/06/16							
DRAFT WHERE APPLICABLE MUST REMAIN WITHIN DIMENSIONS		THIRD ANGLE PROJECTION	DRAWING	SERIES	MATERIAL NUMBER	CUSTOMER	DOC TYPE	DOC PART	REVISION
			B-SIZE	70058	SEE TABLE	GENERAL MARKET	PSD	000	B3
									SHEET NUMBER 1 OF 3

DOCUMENT STATUS	P1	RELEASE DATE	2023/01/04	04:25:01
-----------------	----	--------------	------------	----------



TERMINALS STAMPED WITH THE LETTER "C"
ACCEPT 22-24 AWG WIRE WITH A 1.63 MAX INSULATION DIA



NOTES:

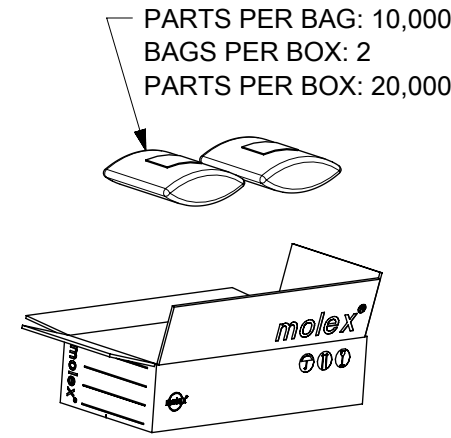
- MATERIAL: PHOSPHOR BRONZE
- PLATING:
 - 124 = SELECT BRIGHT TIN: 3.75 MICROMETERS MIN OVER NICKEL
 - 207 = SELECT HARD GOLD: 0.38 MICROMETERS MIN.
SELECT TIN: 2.0 MICROMETERS MIN BOTH OVER NICKEL
 - 206 = SELECT HARD GOLD: 0.75 MICROMETERS MIN.
SELECT TIN: 2.0 MICROMETERS MIN BOTH OVER NICKEL
 - P124 = PREPLATED OVERALL BRIGHT TIN: 3.75 MICROMETERS MIN OVER NICKEL
(MAY HAVE UNPLATED EDGES)
- PRODUCT SPECIFICATION: TERMINALS CONFORM TO PS-70058 AND PS-70400 WHEN CRIMPED WITH MOLEX CRIMP TOOLS.
- COSMETIC SPECIFICATION: PS-45499-002 CLASS B
- TERMINAL FOR USE WITH HOUSING SERIES 70066 AND 70450
- WIRE SPECIFICATION: TERMINALS STAMPED WITH THE LETTER:
 - A = ACCEPTS 24-30 AWG STRANDED WIRE WITH A 1.52 MAX INSULATION DIA
 - B = ACCEPTS 32-36 AWG STRANDED WIRE WITH A 0.64 MAX INSULATION DIA.
 - C = ACCEPTS 22-24 AWG STRANDED WIRE WITH A 1.63 MAX INSULATION DIA

TERMINALS ON THIS SHEET ARE FOR USE
WITH 22-24 AWG WIRE.
SEE SHEETS 1 FOR OTHER WIRE SIZES

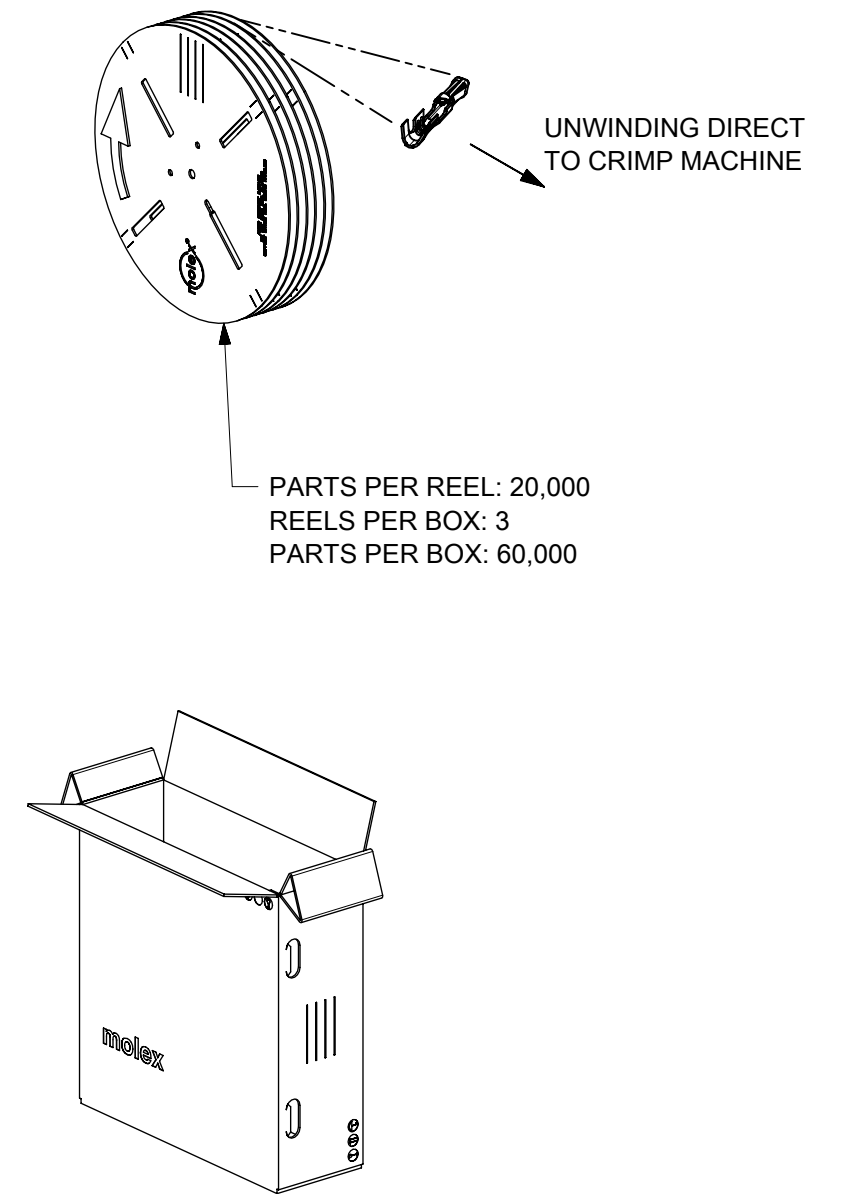
MATERIAL NO:	PACKAGING	PLATING SEE NOTE 2	WIRE SIZE	MAX INSULATION DIA
70058-1086	REEL	124 SELECT TIN	22-24 AWG	1.63 DIA MAX
70058-0086	REEL	P124 OVERALL TIN		
70058-0087	REEL	207 0.38 GOLD		
70058-0103	LOOSE	206 0.75 GOLD		
70058-0088	REEL	206 0.75 GOLD		

THIS DRAWING CONTAINS INFORMATION THAT IS PROPRIETARY TO MOLEX ELECTRONIC TECHNOLOGIES, LLC AND SHOULD NOT BE USED WITHOUT WRITTEN PERMISSION									
DIMENSION UNITS mm	SCALE 8:1	CURRENT REV DESC: REMOVED OBSOLETE PART NUMBER AS PER PCN#511695.							
GENERAL TOLERANCES (UNLESS SPECIFIED)		EC NO: 730178							
ANGULAR TOL	± °	DRWN: SANTHN 2022/12/02			SL CRIMP TERMINAL (22-24 AWG WIRE)				
4 PLACES	±	CHKD: GGA 2023/01/04							
3 PLACES	±	APPR: GGA 2023/01/04			PRODUCT CUSTOMER DRAWING				
2 PLACES	± 0.15	INITIAL REVISION:							
1 PLACE	± 0.25	DRWN: KSAMIEC 2017/05/03			DOCUMENT NUMBER 700580000-SD				
0 PLACES	± 0.0	APPR: FSMITH 2017/06/16							
DRAFT WHERE APPLICABLE MUST REMAIN WITHIN DIMENSIONS		THIRD ANGLE PROJECTION	DRAWING B-SIZE	SERIES 70058	MATERIAL NUMBER SEE TABLE	CUSTOMER GENERAL MARKET	DOC TYPE PSD	DOC PART 000	REVISION B3
DOCUMENT STATUS P1		RELEASE DATE 2023/01/04	04:25:01		SHEET NUMBER 2 OF 3				

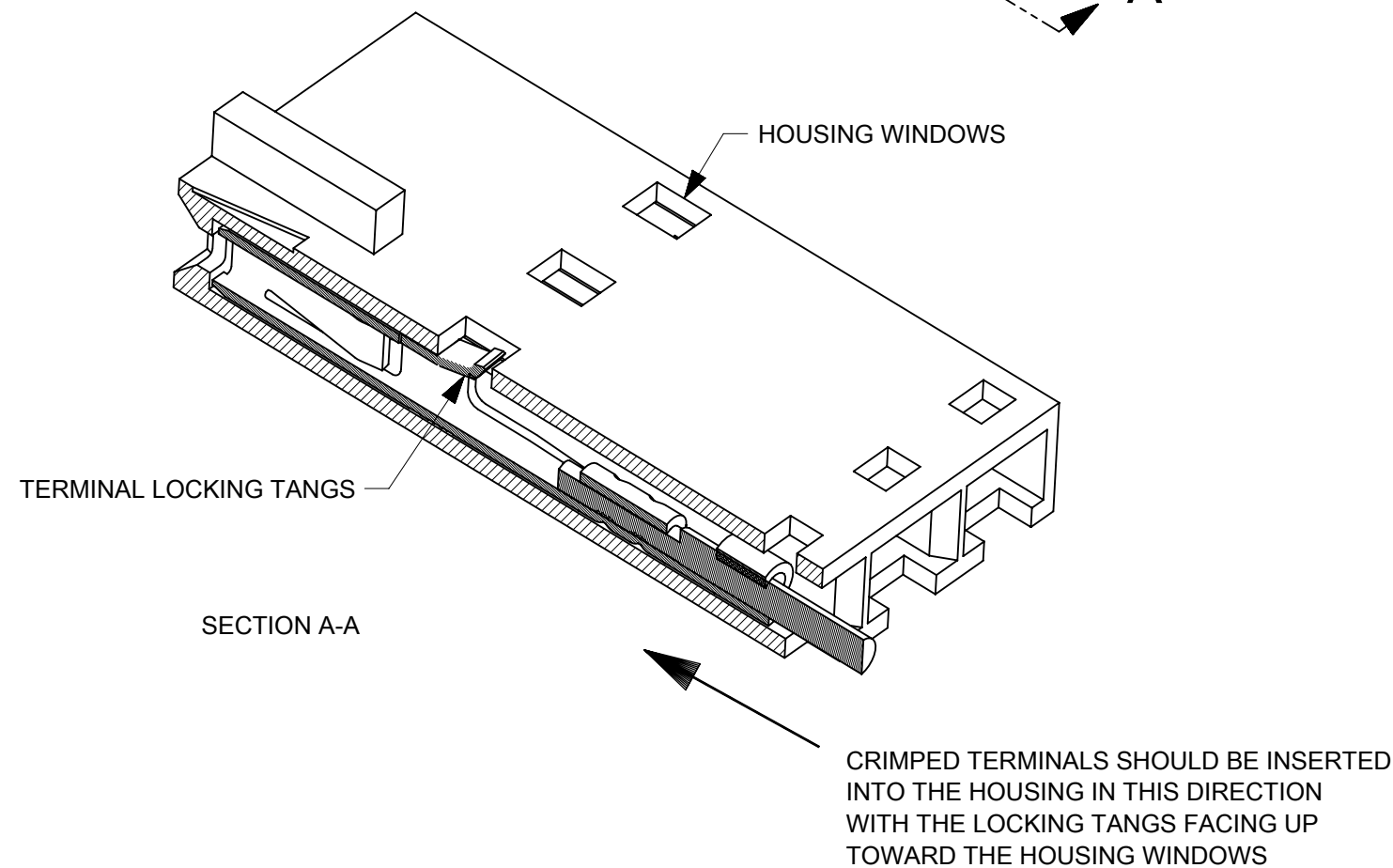
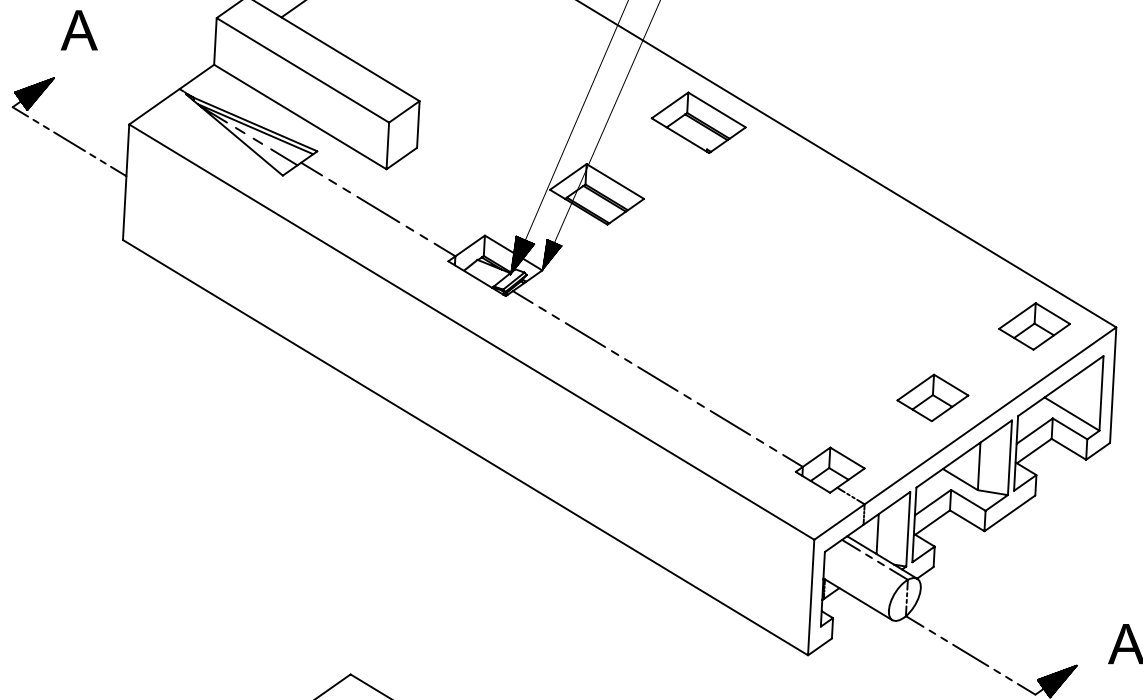
LOOSE PACKED



REEL PACKED



WHEN TERMINALS ARE FULLY INSERTED INTO THE HOUSINGS. THE TERMINAL'S LOCKING TANG SHOULD BE VISABLE IN THE HOUSING'S WINDOWS



THIS DRAWING CONTAINS INFORMATION THAT IS PROPRIETARY TO MOLEX ELECTRONIC TECHNOLOGIES, LLC AND SHOULD NOT BE USED WITHOUT WRITTEN PERMISSION										
DIMENSION UNITS	SCALE	CURRENT REV DESC: REMOVED OBSOLETE PART NUMBER AS PER PCN#511695.			molex					
mm	1:15									
GENERAL TOLERANCES (UNLESS SPECIFIED)		EC NO: 730178			SL CRIMP TERMINAL					
ANGULAR TOL	± °	DRWN: SANTHN 2022/12/02			PRODUCT CUSTOMER DRAWING					
4 PLACES	±	CHKD: GGA 2023/01/04			DOCUMENT NUMBER					
3 PLACES	±	APPR: GGA 2023/01/04			700580000-SD			DOC TYPE	DOC PART	REVISION
2 PLACES	± 0.15	INITIAL REVISION:			PSD 000 B3					
1 PLACE	± 0.25	DRWN: KSAMIEC 2017/05/03			MATERIAL NUMBER					
0 PLACES	± 0.0	APPR: FSMITH 2017/06/16			CUSTOMER					
DRAFT WHERE APPLICABLE MUST REMAIN WITHIN DIMENSIONS		THIRD ANGLE PROJECTION	DRAWING	SERIES	SEE TABLE		GENERAL MARKET		SHEET NUMBER	
			B-SIZE	70058					3 OF 3	