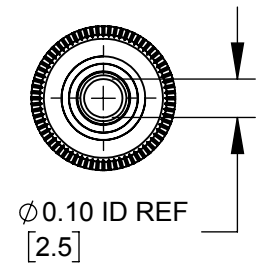
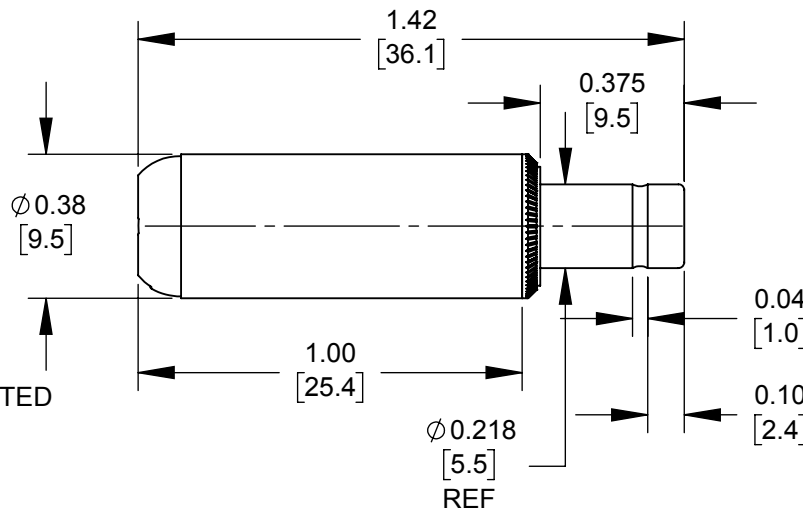
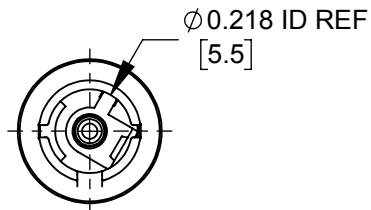


PART NUMBER	HANDLE COLOR
760HZ	BLACK
765HZ	RED



NOTES:

- MATERIALS:
 CONDUCTORS - COPPER ALLOY, NICKEL PLATED
 TERMINALS - COPPER ALLOY, TIN PLATED
 INSULATORS & HANDLE - THERMOPLASTIC
- THIS PRODUCT IS RoHS COMPLIANT.

CUSTOMER DRAWING

					THIS DRAWING DESCRIBES A DESIGN CONSIDERED PROPRIETARY IN NATURE, DEVELOPED AND MANUFACTURED BY SWITCHCRAFT INC. AND IS RELEASED ON A CONFIDENTIAL BASIS FOR IDENTIFICATION PURPOSES ONLY.							
UNLESS OTHERWISE SPECIFIED 1. ALL DIMENSIONS IN INCHES [mm] - TWO PLACE DECIMALS ±0.02 [0.5] - THREE PLACE DECIMALS ±0.005 [0.13]					SIZE *	WIDTH *	MULT *	LBS/M *	TEMPER *			
					FINISH *		MATERIAL *		SPEC No. *		SPEC No. *	
					FIRST USED ON *		SCALE 2:1					
					DATE DRAWN	BY	CHKD *	APVD *				
REVISIONS REV ECO NUMBER DATE BY APVD					11/06/19	AM	*	*				
					DO NOT SCALE DRAWING					NAME Ø 0.10 [2.5]mm X 0.374 LONG IMPROVED HT POWER PLUG, RoHS		

