

**MATERIALS AND FINISHES:**

BODY: BRASS  
 PLATED: TRI-M3 (118µ-in MIN)

OUTER CONTACT: BERYLLIUM COPPER  
 PLATED: TRI-M3 (118µ-in MIN)

CONTACT: BERYLLIUM COPPER  
 PLATED: SILVER (118µ-in MIN)

INSULATORS: PTFE

O-RING: BUNA-N

**PERFORMANCE REQUIREMENTS:**

FREQUENCY RANGE: 0-6 GHz

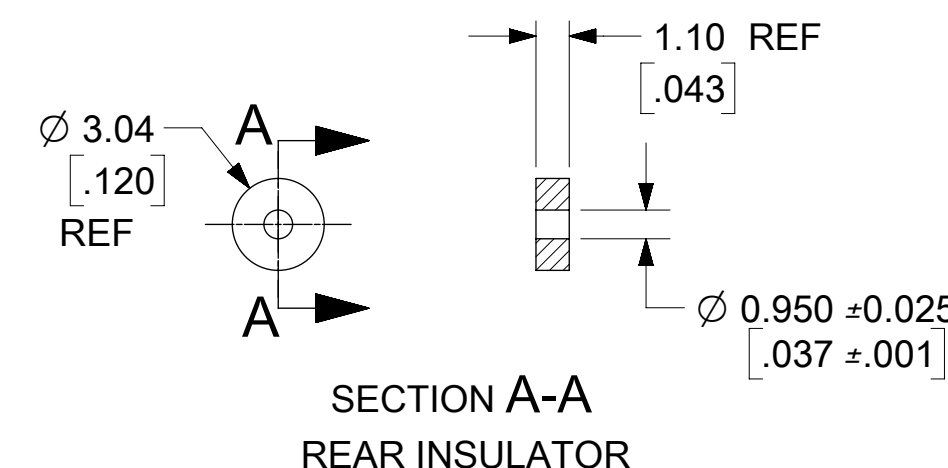
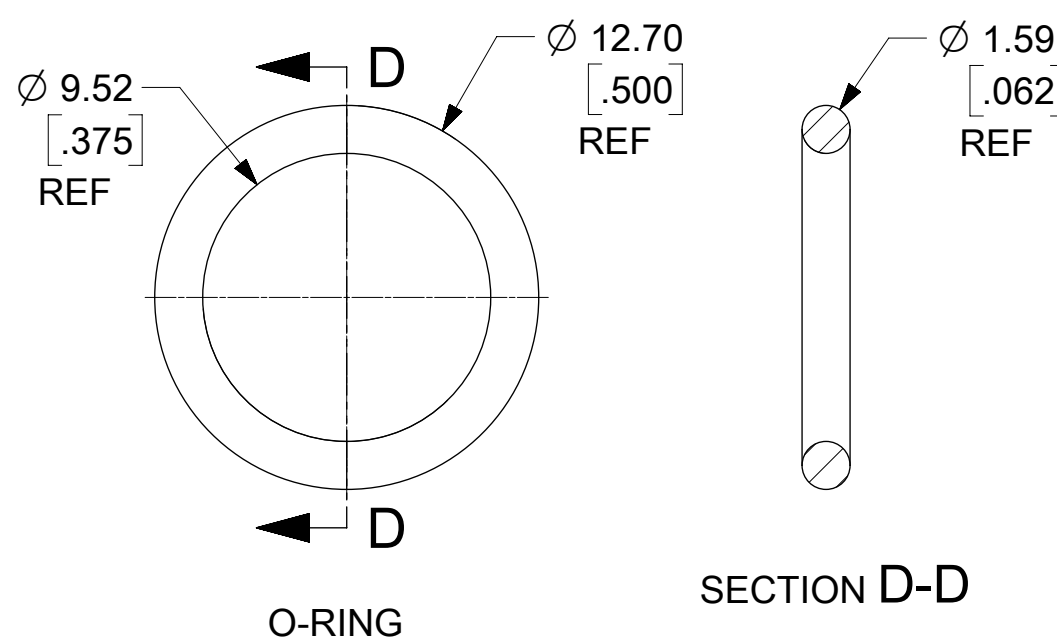
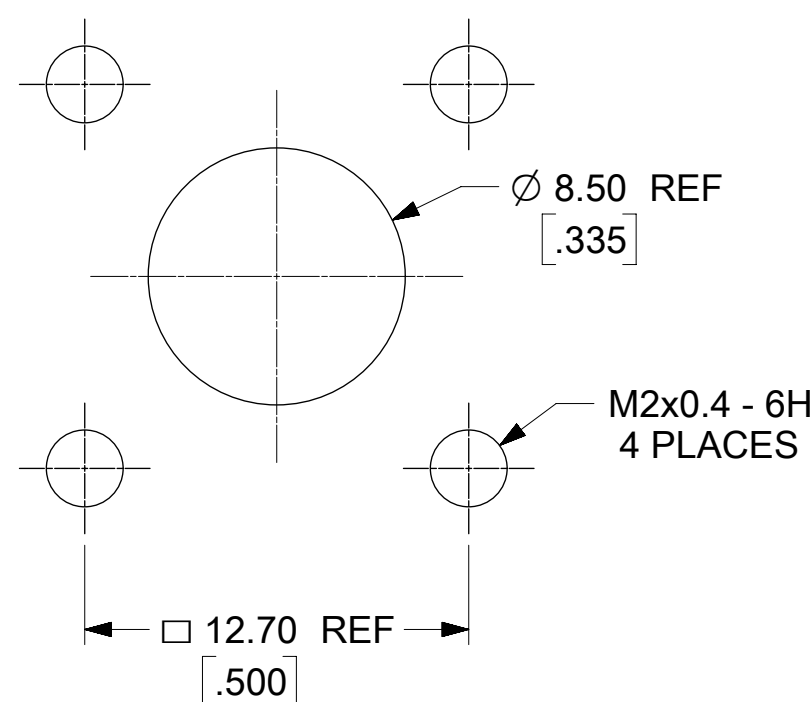
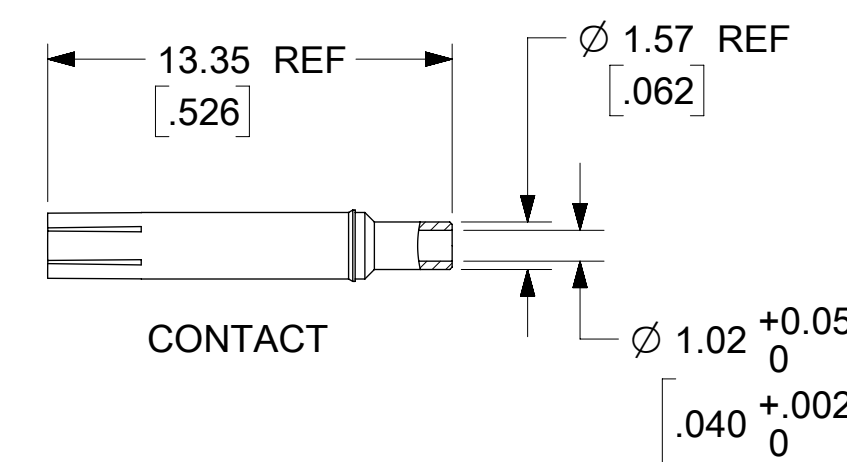
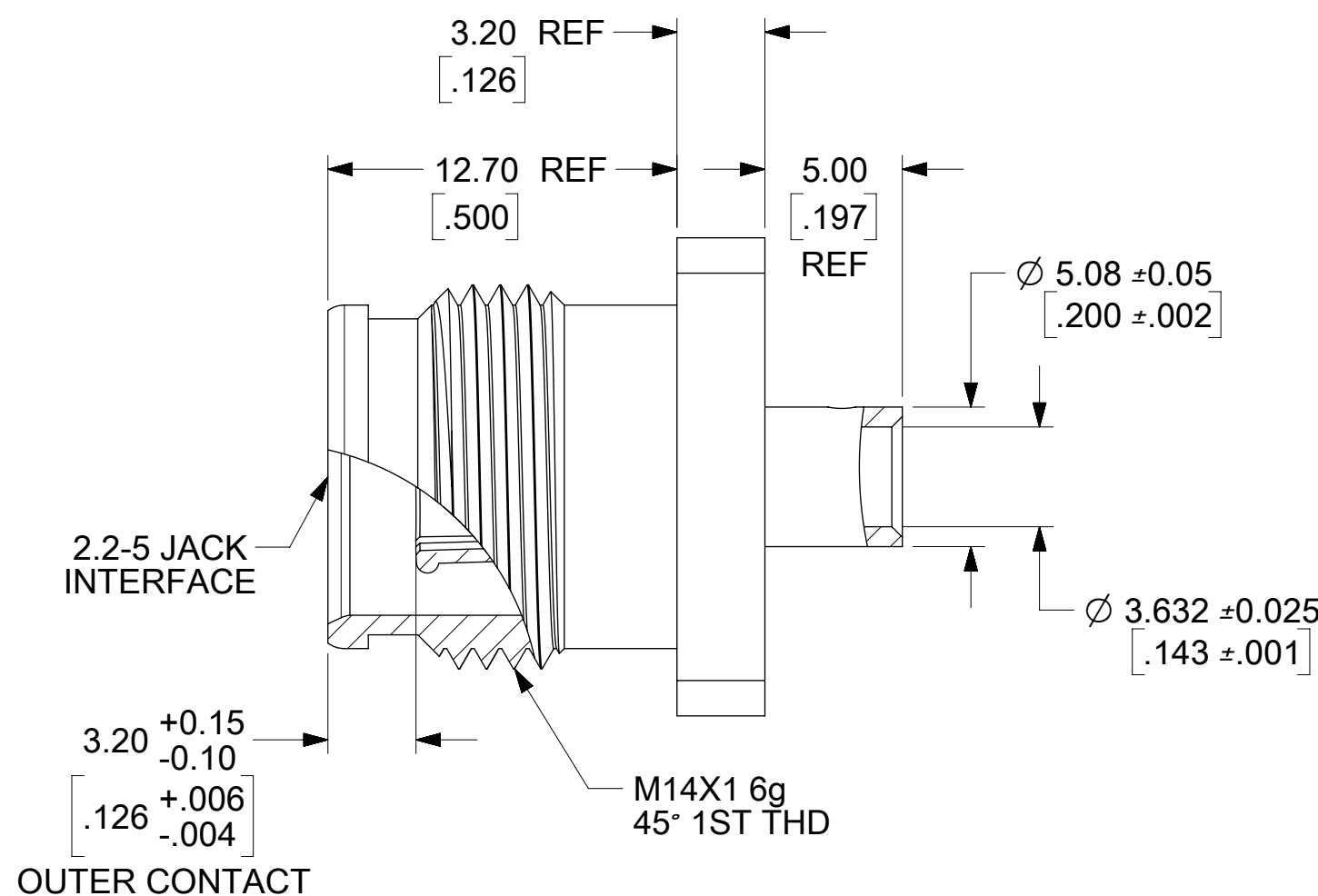
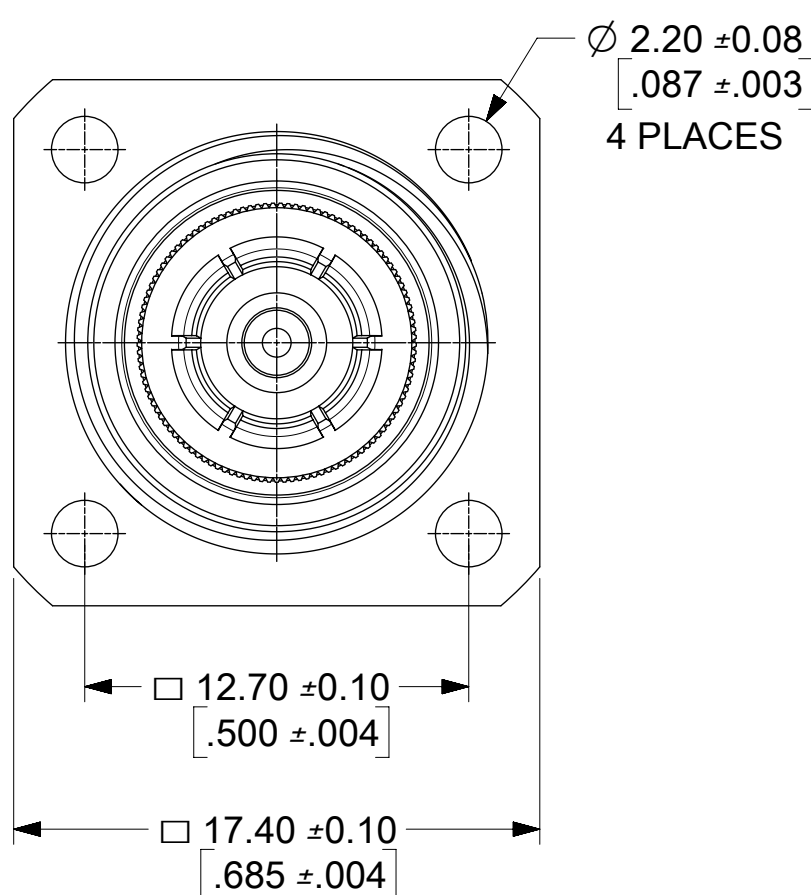
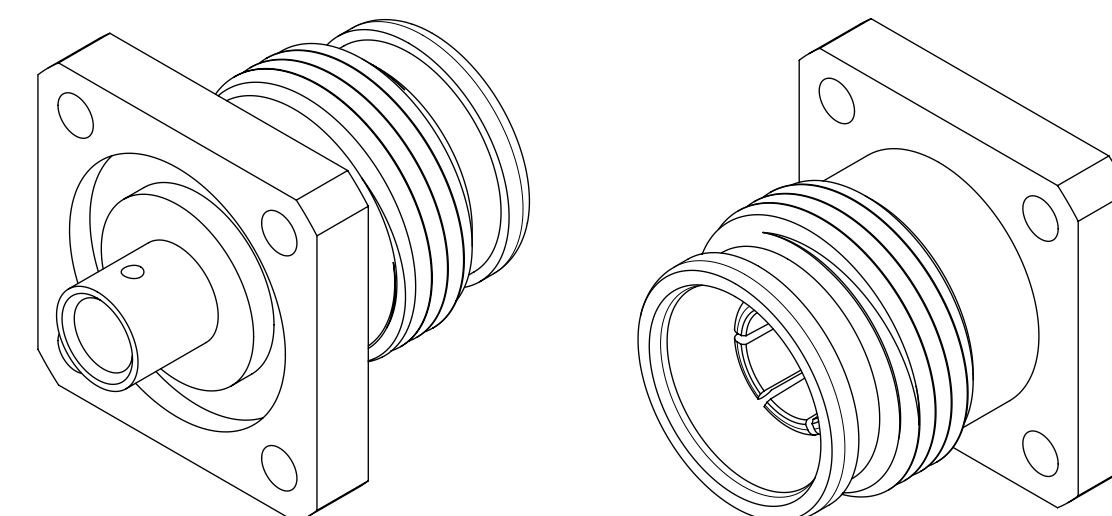
IMPEDANCE: 50 OHMS

WITHSTAND VOLTAGE: 1.5 kV/ 50 Hz

RETURN LOSS (TYPICAL): -36dB, DC TO 6.0GHz

PIM (TYPICAL): <-166dBc @ 2 x 43dBm

WATER PROOF: IP67 (UNMATED)



RECOMENDED PANEL DETAILS

**PART # 73225-3000**

2.2-5 INTERFACE SPEC (IEC)	INTERFACE
SPECIFICATION	DESCRIPTION

SYMBOLS		THIS DRAWING CONTAINS INFORMATION THAT IS PROPRIETARY TO MOLEX ELECTRONIC TECHNOLOGIES, LLC AND SHOULD NOT BE USED WITHOUT WRITTEN PERMISSION	
▽ = 0	4 PLACES ±	DIMENSION UNITS	SCALE
▽ = 0	3 PLACES ±	MM	INCH
▽ = 0	2 PLACES ±	CURRENT REV DESC: SEE ECM	
▽ = 0	1 PLACE ±	GENERAL TOLERANCES (UNLESS SPECIFIED)	
▽ = 0	0 PLACES ±	MM	INCH
▽ = 0	ANGULAR TOL ± 2.0°	±	± 0.01
▽ = 0	DRAFT WHERE APPLICABLE MUST REMAIN WITHIN DIMENSIONS	± 0.25	±
▽ = 0		±	±
		THIRD ANGLE PROJECTION	DRAWING
		C-SIZE	SERIES
			73225
		EC NO: 601674	DRWN: APRAKASH01 2018/07/13
		CHK'D: BBHARADWAJD 2018/08/02	APPR: AROBERTSON 2018/08/02
		INITIAL REVISION:	
		DRWN: BBHARADWAJD 2018/07/05	APPR: AROBERTSON 2018/07/05
		DOCUMENT NUMBER	DOC TYPE
		732253000	PSD
		CUSTOMER	DOC PART
			000
		SHEET NUMBER	REVISION
		1 OF 2	B

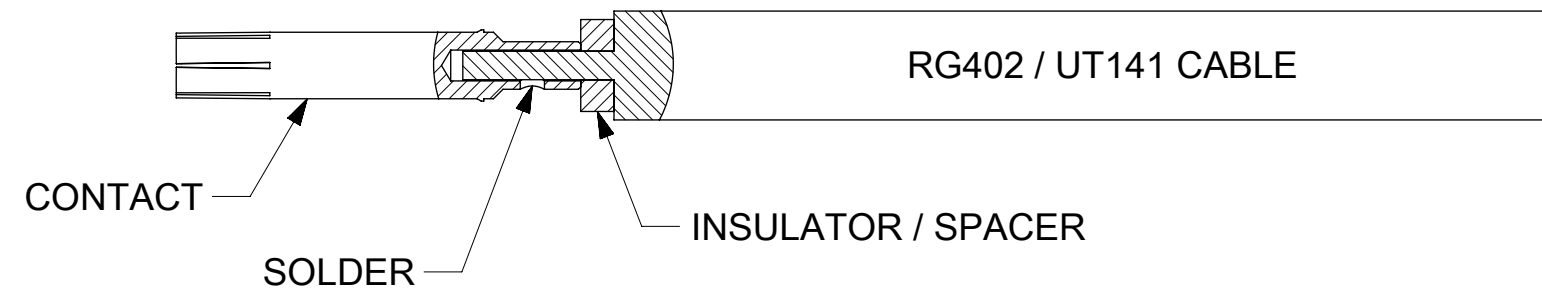
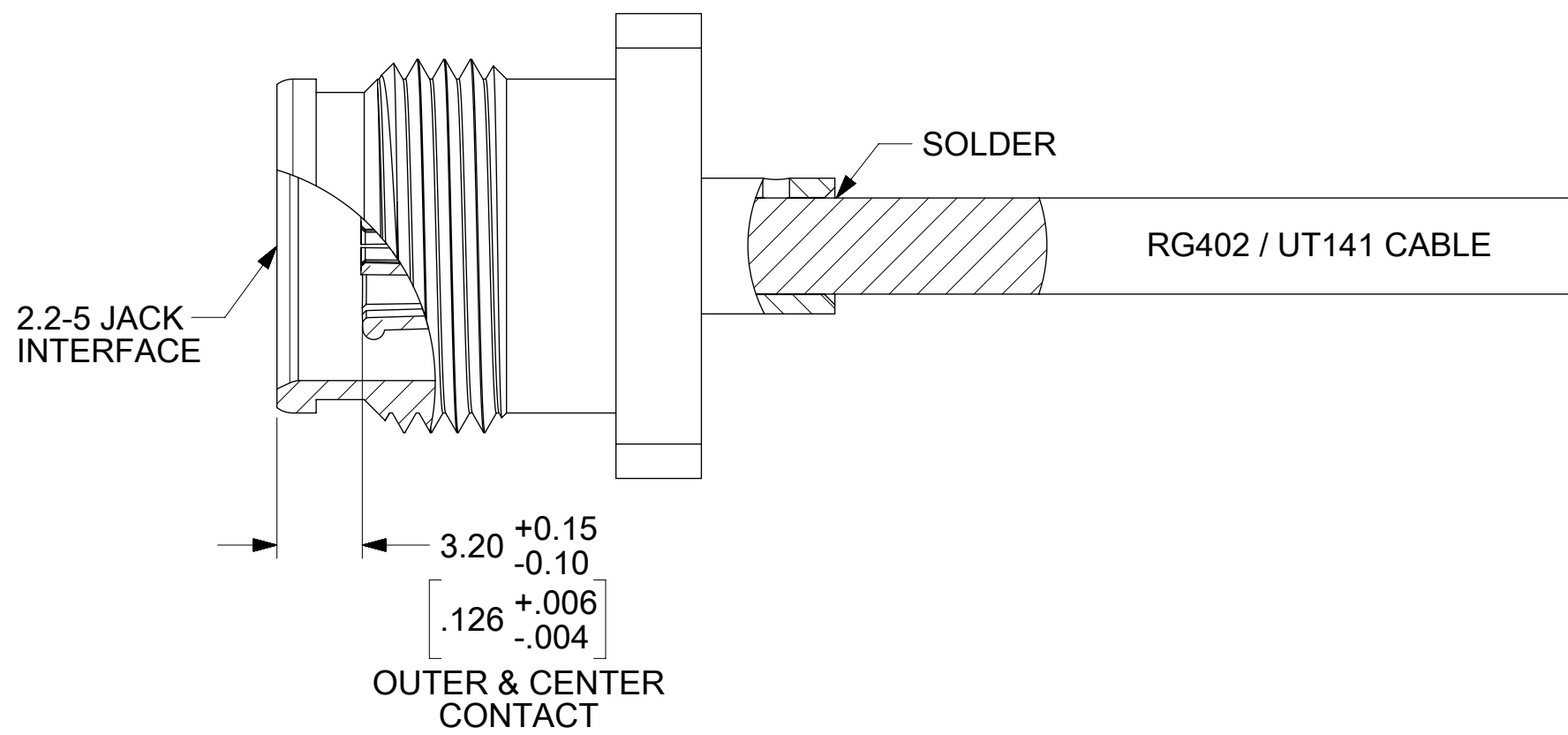
**molex**

2.2-5 J PANEL FM 4 HOLE IP67 FOR RG402/UT141 CORRUGATED CABLES, EWR-11420

PRODUCT CUSTOMER DRAWING

732253000

1 OF 2



SYMBOLS	THIS DRAWING CONTAINS INFORMATION THAT IS PROPRIETARY TO MOLEX ELECTRONIC TECHNOLOGIES, LLC AND SHOULD NOT BE USED WITHOUT WRITTEN PERMISSION				
	DIMENSION UNITS	SCALE	CURRENT REV DESC: SEE ECM		
▽ = 0	MM		<b>molex</b> 2.2-5 J PANEL FM 4 HOLE IP67 FOR RG402/UT141 CORRUGATED CABLES, EWR-11420 PRODUCT CUSTOMER DRAWING		
▽ = 0	GENERAL TOLERANCES (UNLESS SPECIFIED)				
▽ = 0		MM			INCH
▽ = 0	4 PLACES ±	±			
▽ = 0	3 PLACES ±	± 0.01			
▽ = 0	2 PLACES ±	± 0.25	±		
▽ = 0	1 PLACE ±	±	±		
▽ = 0	0 PLACES ±	±	±		
▽ = 0	ANGULAR TOL	± 2.0°	EC NO: 601674 DRWN: APRAKASH01 2018/07/13 CHK'D: BBHARADWAJD 2018/08/02 APPR: AROBERTSON 2018/08/02 INITIAL REVISION: DRWN: BBHARADWAJD 2018/07/05 APPR: AROBERTSON 2018/07/05		
▽ = 0	DRAFT WHERE APPLICABLE MUST REMAIN WITHIN DIMENSIONS		THIRD ANGLE PROJECTION	DRAWING C-SIZE SERIES 73225 MATERIAL NUMBER 732253000 CUSTOMER SHEET NUMBER 2 OF 2	

DOCUMENT STATUS	P1	RELEASE DATE	2018/08/02	13:05:14
-----------------	----	--------------	------------	----------