

AR14127SC



Sample image

Order symbol: AR14127SC

Product nbr: 8561005

Description: PC Enclosure

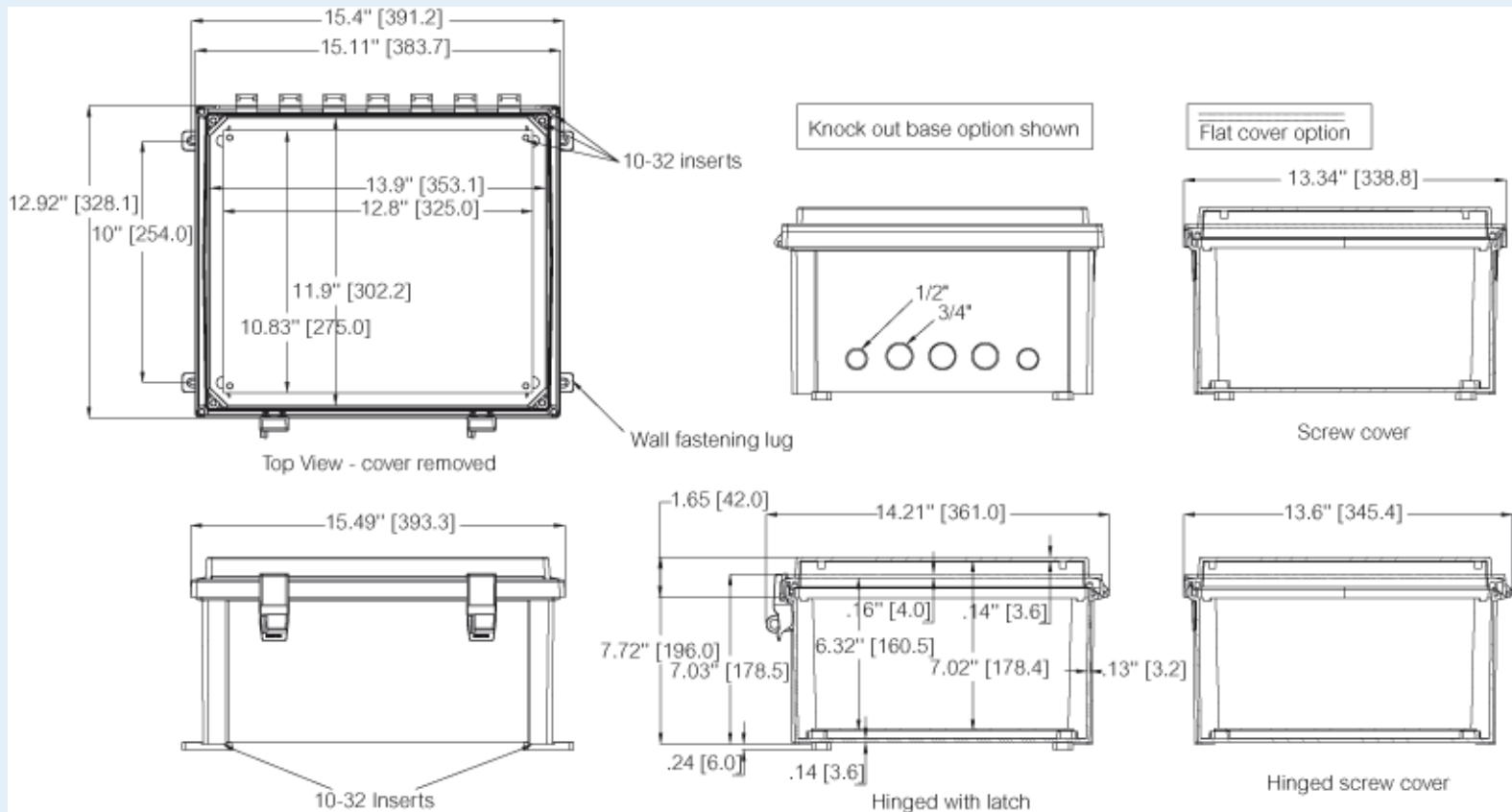
Remarks: Opaque screw cover

EAN: 6418074066411

EI. number:

- Finland:
- Denmark:
- Sweden:

Including: Screw cover. Base with 10-32 brass inserts, cover with formed in place PUR gasket and 4 stainless cover screws. Enclosure mounting foot kit. Accessory 10-32 screws for panel mounting.



Dimensions:	Height	Width	Depth
mm:	356	305	178
inch:	14	12	7

Accessories:	
ABP1412	Painted Steel Back Panel (325 x 274)

Materials:

Material:	Polycarbonate
Base colour:	RAL 7035 -light grey
Cover colour:	RAL 7035 -light grey
Gasket material:	Polyurethane

Temperatures:

Temperature °C (short term)::	-40 ... 140
Temperature °C (continuous):	-40 ... 80
Temperature °F (short term):	-40 ... 250
Temperature °F (continuous):	-40 ... 175

ASP1412	Aluminum Swing Panel (305 x 355.7 x 0)
ASPHK14	Swing Panel Kit w/o Panel
AMFL12	12" Mounting Flange Set
ADFP1412	Dead Front Panel w/ screws (308 x 357.5 x 0)
ALBP1412	Aluminum Back Panel (325 x 274)
APBP1412	PVC Back Panel (325 x 274)
ASPK1412	Swing Panel Kit incl. Panel

Rating:

Ingress protection (EN 60529):	IP66; IP67;
Impact Resistance (EN 62262):	IK09;
Electrical insulation:	Not insulated
Halogen free (DIN/VDE 0472, Part 815):	1
UV resistance:	UL 508
Flammability Rating:	UL 508
Glow Wire Test (IEC 695-2-1) °C:	960 °C
NEMA Class	NEMA 4, 4X, 12 and 13

Certificates:

ARCA_CertificateofCompliance