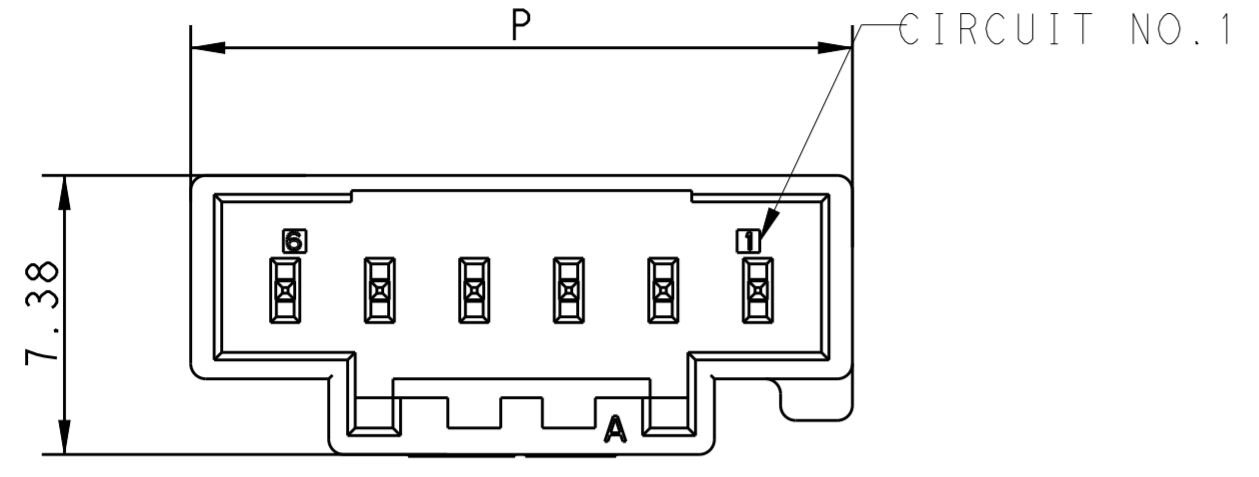


THIS DRAWING IS UNPUBLISHED. RELEASED FOR PUBLICATION  
 © COPYRIGHT BY - TE CONNECTIVITY ALL RIGHTS RESERVED.

LOC		DIST		REVISIONS			
P	LTR	DESCRIPTION	DATE	DWN	APVD		
B		ECR-14-002989	28FEB2014	M.T	D.Z		
B1		ECR-15-013442	15SEP2015	A.Q	D.Z		

6Pos header housing assembly



- NOTES:
- 1.GENERAL TOLERANCE: ±0.3
  - 2.MATERIAL SEE TABLE 1
  - 3.MATING CONN. P/N:SEE TABLE(SHEET 3)
  - ⚠ PRELIMINARY-NOT FOR PRODUCTION

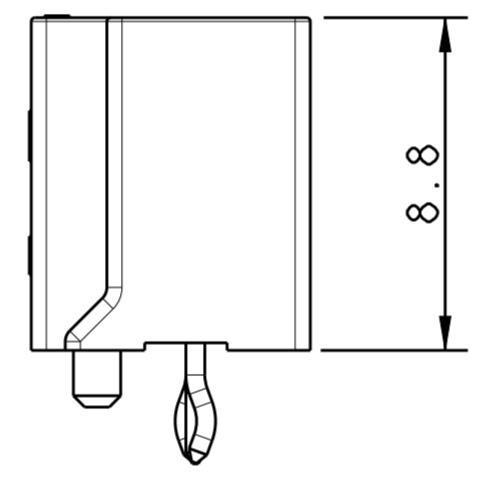
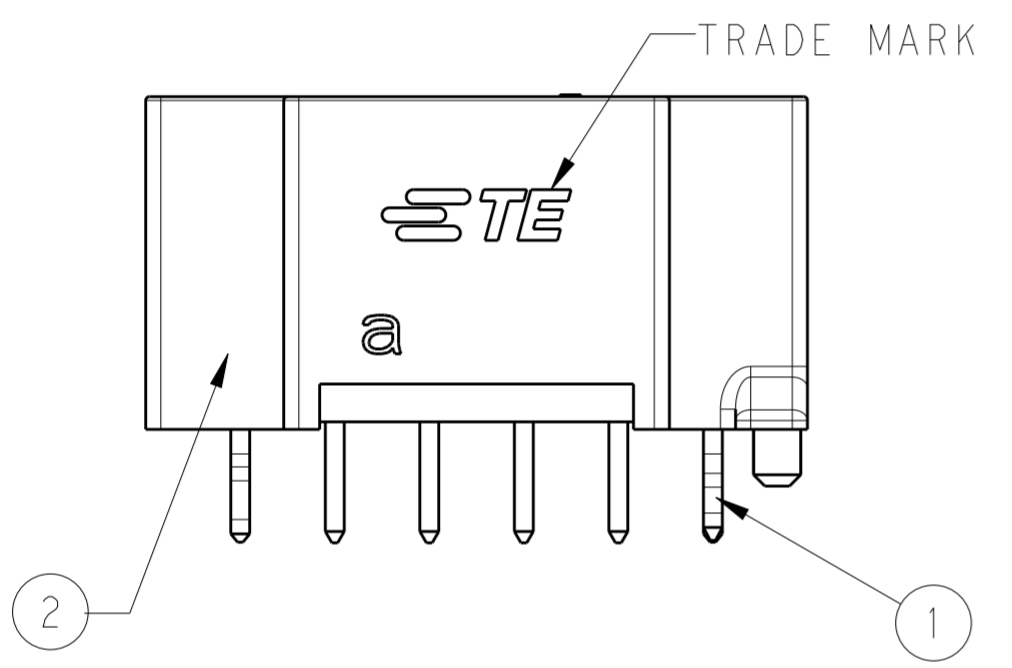
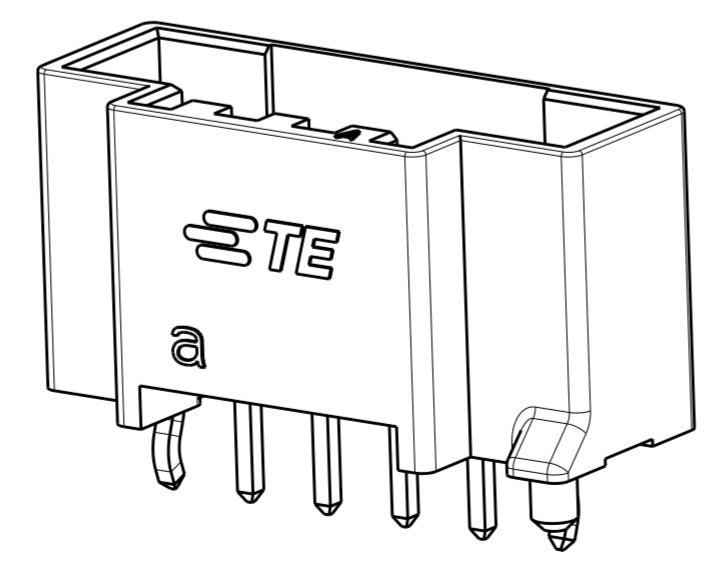
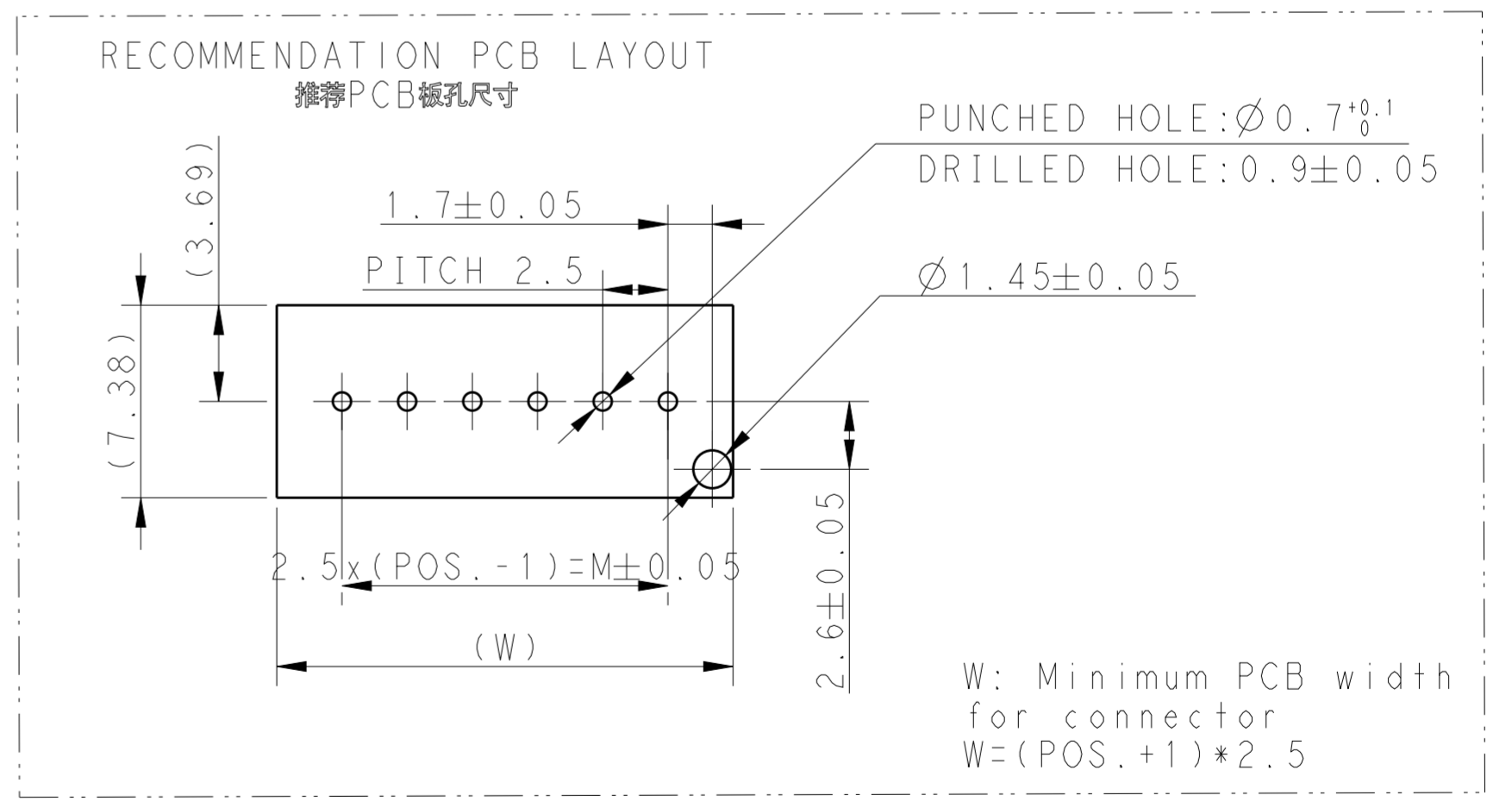
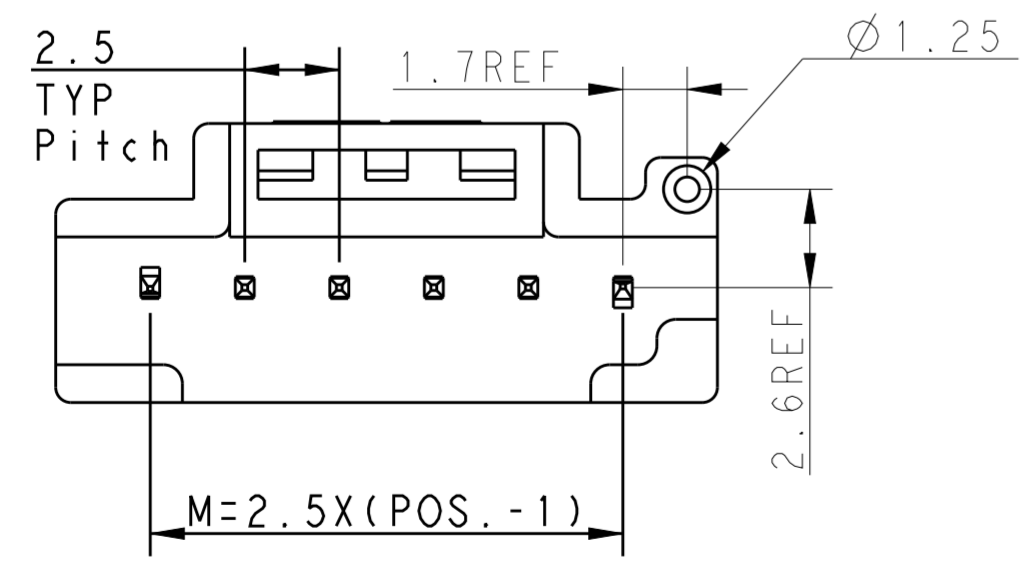


TABLE 1

NO.	PART NAME	MATERIAL
①	POST CONTACT	COPPER ALLOY, TIN PLATING
②	HEADER HOUSING	THERMO PLASTIC UL94 V-0



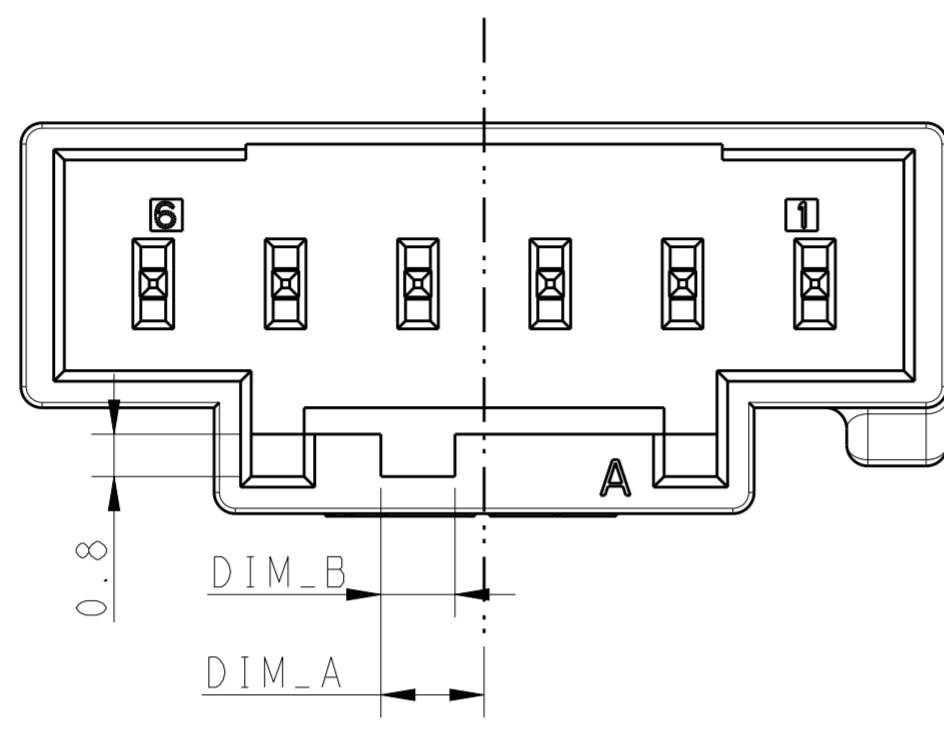
THIS DRAWING IS A CONTROLLED DOCUMENT.

DWN	B.P	17JUN2013	 TE Connectivity
CHK	H.J.Z	17JUN2013	
APVD	Y.H.M	17JUN2013	
NAME HEADER ASSY, PITCH 2.5 WITH BOSS D1.25 NEXT GENERATION GRACE INERTIA CONNECTOR			
DIMENSIONS: mm		TOLERANCES UNLESS OTHERWISE SPECIFIED: 0 PLC ± 0.3 1 PLC ± 0.3 2 PLC ± 0.3 3 PLC ± 0.013 4 PLC ± 0.0001 ANGLES ± - FINISH	
MATERIAL -		APPLICATION SPEC 108-106077 WEIGHT - SCALE / SHEET 1 OF 3 REV B1	
CUSTOMER DRAWING			SIZE A2 CAGE CODE - DRAWING NO. 2232501

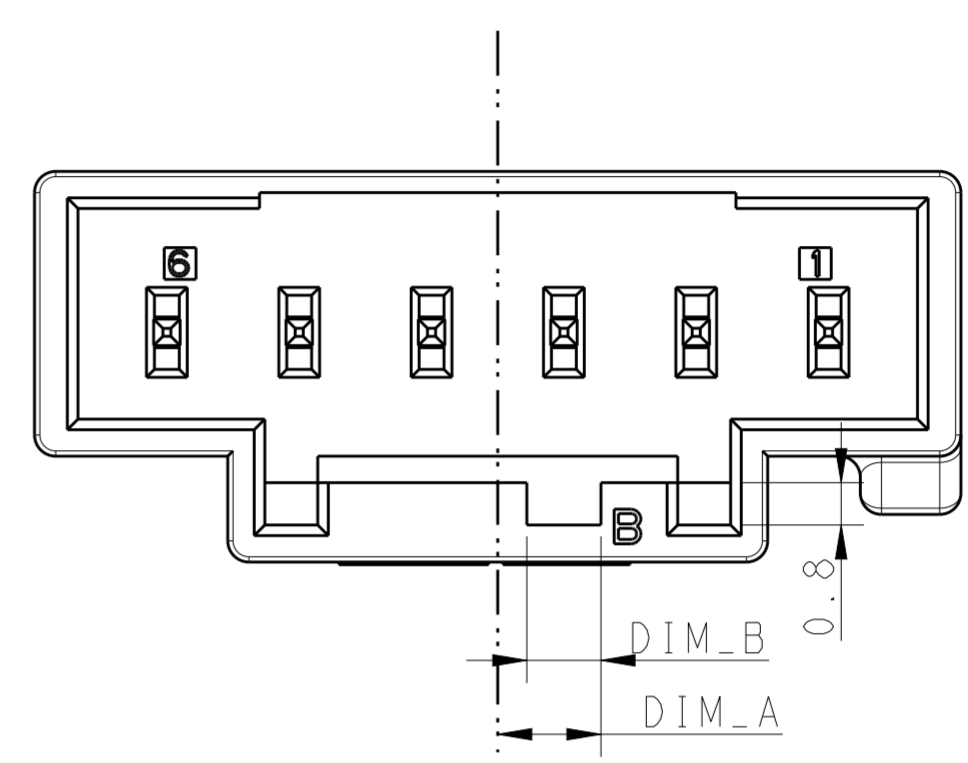
THIS DRAWING IS UNPUBLISHED. RELEASED FOR PUBLICATION  
 © COPYRIGHT BY - TE CONNECTIVITY ALL RIGHTS RESERVED.

LOC	DIST	P	LTR	REVISIONS	DATE	DWN	APVD
-	-	-	-	DESCRIPTION			
				SEE SHEET 1			

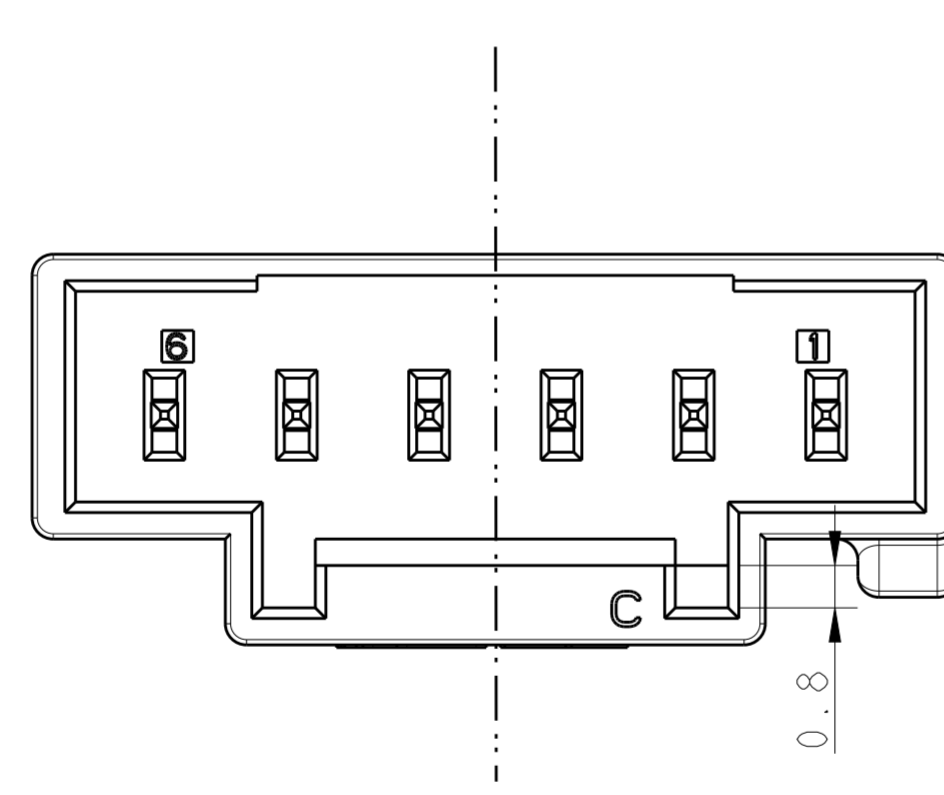
KEYING - A



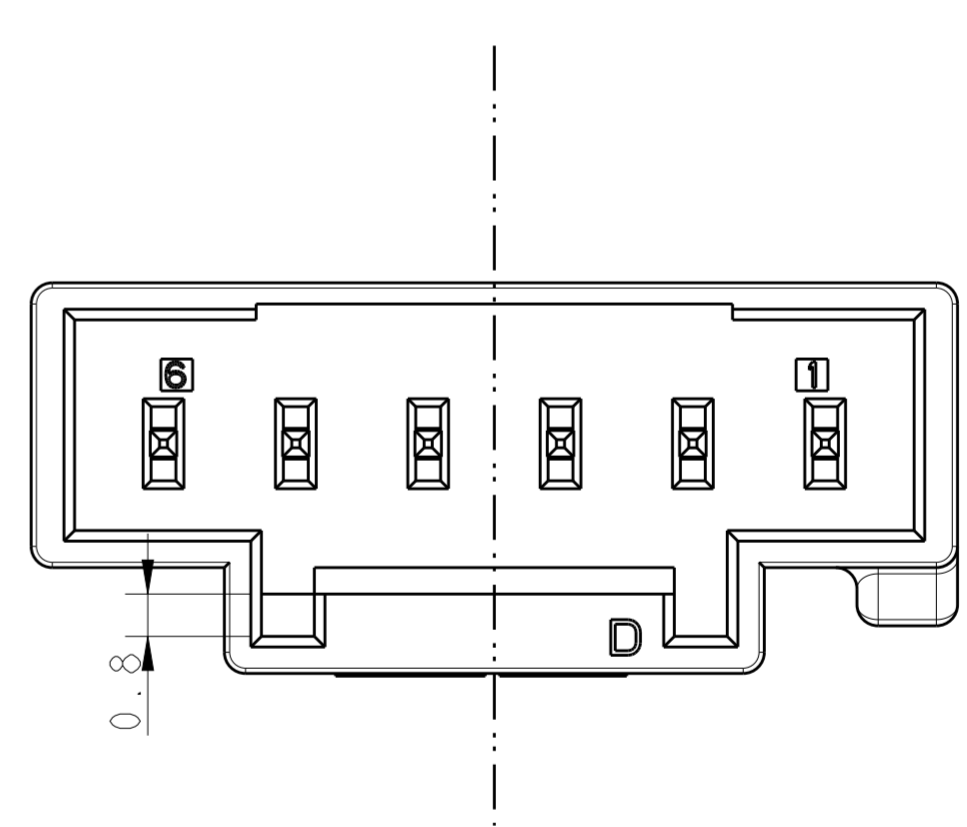
KEYING - B



KEYING - C



KEYING - D



DIMENSION MATRIX FOR KEYING

1.4	2.4	8P
1.4	2.4	7P
1.4	1.95	6P
1.4	1.95	5P
1.4	1.6	4P
1.4	1.3	3P
1.25	1.05	2P
DIM_B	DIM_A	POS.






THIS DRAWING IS A CONTROLLED DOCUMENT.


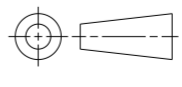
DWN	B.P	17JUN2013	 TE Connectivity	NAME HEADER ASSY, PITCH 2.5 WITH BOSS D1.25 NEXT GENERATION GRACE INERTIA CONNETOR
CHK	H.J.Z	17JUN2013		
APVD	Y.H.M	17JUN2013		
PRODUCT SPEC	108-106077			
MATERIAL			SIZE	A2
			CAGE CODE	-
			DRAWING NO	G-2232501
			RESTRICTED TO	-
			SCALE	/
			SHEET	2 OF 3
			REV	B1

Customer Drawing

THIS DRAWING IS UNPUBLISHED. RELEASED FOR PUBLICATION  
 © COPYRIGHT BY - TE CONNECTIVITY ALL RIGHTS RESERVED.

LOC	DIST	REVISIONS					
		P	LTR	DESCRIPTION	DATE	DWN	APVD
-	-	-	-	SEE SHEET 1	-	-	-

8-1971793-5	22.5	17.5	8	BLACK	D	8-2232501-5
8-1971793-4				YELLOW	D	8-2232501-4
8-1971793-3				RED	C	8-2232501-3
8-1971793-2				BLUE	B	8-2232501-2
8-1971793-1				NATURAL	A	8-2232501-1
7-1971793-5	20.0	15.0	7	BLACK	D	7-2232501-5
7-1971793-4				YELLOW	D	7-2232501-4
7-1971793-3				RED	C	7-2232501-3
7-1971793-2				BLUE	B	7-2232501-2
7-1971793-1				NATURAL	A	7-2232501-1
6-1971793-5	17.5	12.5	6	BLACK	D	6-2232501-5
6-1971793-4				YELLOW	D	6-2232501-4
6-1971793-3				RED	C	6-2232501-3
6-1971793-2				BLUE	B	6-2232501-2
6-1971793-1				NATURAL	A	6-2232501-1
5-1971793-5	15.0	10.0	5	BLACK	D	5-2232501-5
5-1971793-4				YELLOW	D	5-2232501-4
5-1971793-3				RED	C	5-2232501-3
5-1971793-2				BLUE	B	5-2232501-2
5-1971793-1				NATURAL	A	5-2232501-1
4-1971793-5	12.5	7.5	4	BLACK	D	4-2232501-5
4-1971793-4				YELLOW	D	4-2232501-4
4-1971793-3				RED	C	4-2232501-3
4-1971793-2				BLUE	B	4-2232501-2
4-1971793-1				NATURAL	A	4-2232501-1
3-2232844-5	10.0	5	3	BLACK	D	3-2232501-5
3-1971793-5				YELLOW	D	3-2232501-4
3-2232844-4				RED	C	3-2232501-3
3-1971793-4				BLUE	B	3-2232501-2
3-2232844-3				NATURAL	A	3-2232501-1
3-1971793-3				BLACK	D	3-2232501-5
3-2232844-2				YELLOW	D	3-2232501-4
3-1971793-2				RED	C	3-2232501-3
3-2232844-1				BLUE	B	3-2232501-2
3-1971793-1	NATURAL	A	3-2232501-1			
2-2232844-5 	7.5	2.5	2	BLACK	D	2-2232501-5
2-2232844-4 				YELLOW	D	2-2232501-4
2-2232844-3 				RED	C	2-2232501-3
2-2232844-2 				BLUE	B	2-2232501-2
2-2232844-1 				NATURAL	A	2-2232501-1
MATING CONN P/N	P	M	Pos.	COLOR	KEYING	HEAD ASS P/N

THIS DRAWING IS A CONTROLLED DOCUMENT.		DWN	B.P	17JUN2013	 TE Connectivity		
DIMENSIONS:		CHK	H.J.Z	17JUN2013			
mm		APVD	Y.H.M	17JUN2013			
		TOLERANCES UNLESS OTHERWISE SPECIFIED: 0 PLC ± 0.3 1 PLC ± 0.3 2 PLC ± 0.3 3 PLC ± 0.013 4 PLC ± 0.001 ANGLES ± -		NAME PRODUCT SPEC APPLICATION SPEC WEIGHT		NAME HEADER ASSY, PITCH 2.5 WITH BOSS D1.25 NEXT GENERATION GRACE INERTIA CONNETOR	
MATERIAL	-	SIZE	A2	CAGE CODE	-		
Customer Drawing		DRAWING NO	2232501		RESTRICTED TO	-	
		SCALE	/	SHEET	3 OF 3	REV	B1