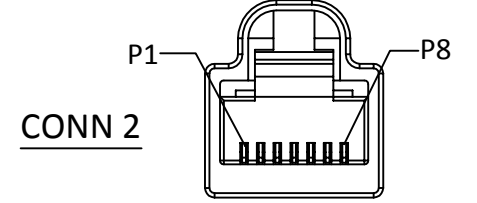
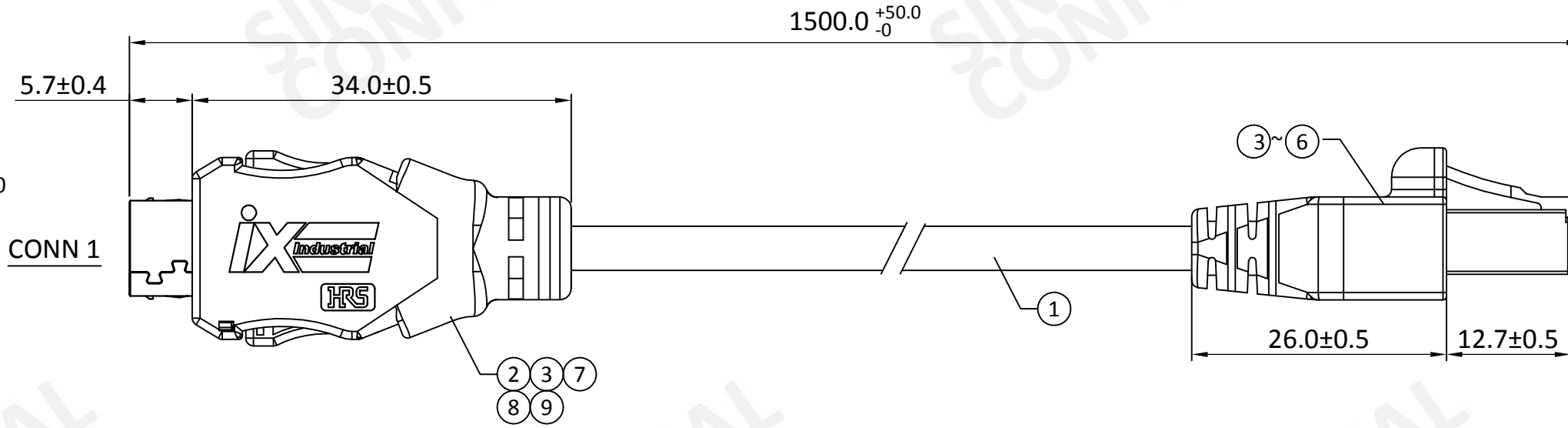
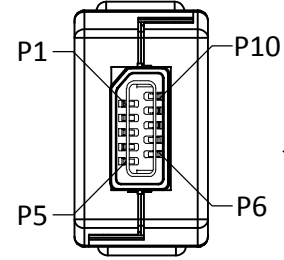


1	2	3	4	5	6	7	8
MOLD TYPE	MOLD NO.	ITEM	REV.	ECN NO.	DATE	BY	DESCRIPTION
CONN1 OVERMOLD	SRO0847	8,9	01		Sep/03/2020	Aine Li	RELEASED
CONN1 OVERMOLD	SRO0848	7					
CONN2 OVERMOLD	MUO0059	5					
CONN2 PREMOLD	MUI0042	6					

1	2	3	4	5	6	7	8
MOLD TYPE	MOLD NO.	ITEM	REV.	ECN NO.	DATE	BY	DESCRIPTION
CONN1 OVERMOLD	SRO0847	8,9	01		Sep/03/2020	Aine Li	RELEASED
CONN1 OVERMOLD	SRO0848	7					
CONN2 OVERMOLD	MUO0059	5					
CONN2 PREMOLD	MUI0042	6					



AWG	CONN 1		COLOR	CONN 2
26	1	○ ○ ○ ○	WHITE	1
	2	○ ○ ○ ○	ORANGE	2
	4	○ ○ ○ ○	BLUE	4
	5	○ ○ ○ ○	WHITE	5
	6	○ ○ ○ ○	WHITE	3
	7	○ ○ ○ ○	GREEN	6
	9	○ ○ ○ ○	WHITE	7
	10	○ ○ ○ ○	BROWN	8
	SHELL		SHIELD	SHELL

9.	A/R	PLASTIC MASTERBATCH, BLACK, FORTPU (A88270010001SD)
8.	A/R	TPU, SHORE A 78, NATURAL, POLYETHER, UL94V-0, HF (A51100057001SD)
7.	A/R	TPU, 94A, BLACK, UL94V-0 (A51100051001SD)
6.	A/R	PE, FOR CONN2 PREMOLD (A5080000100SD)
5.	A/R	PVC, 80P, BLACK, 94V-0, FOR CONN2 OVERMOLD (A5120035300SD)
4.	1	MOD 8P8C PLUG (A30250085001SD)
3.	2	COPPER FOIL, (W)5*(L)30mm (A4060020200SD)
2.	1	CONN., 10P, BLACK, HRS: IX40G-A-10S-CV(7.0) (A20151893001S)
1.	A/R	CABLE, ULCM, #26*4P+AM+B, BLACK, OD=6.0, CAT 6A (JPCW2421)
ITEM	QTY	DESCRIPTION

NOTES:

- TESTING SPEC.:  
COND. RESISTANCE: 3Ω MAX.  
INSUL. RESISTANCE: 10MΩ MIN.  
TESTING VOLTAGE: 200V DC
- FOLLOW IPC620 CLASS II STANDARD TO ASSEMBLY AND INSPECTION.
- RoHS COMPLIANCE.

THIS DRAWING CONTAINS CONFIDENTIAL INFORMATION AND IS THE PROPERTY OF SINBON ELECTRONICS CO., LTD. IT MAY NOT BE USED OR ITS CONTENTS COPIED OR DISCLOSED TO A THIRD PARTY WITHOUT PRIOR WRITTEN CONSENT AND IS TO BE RETURNED PROMPTLY UPON REQUEST BY SINBON ELECTRONICS CO., LTD.	
CUSTOMER : DigiKey	
CUSTOMER P/N : N/A	REV. : N/A
DESCRIPTION : IX(M) to Shielded RJ45(M), Cat6A, 1.5M	
PART NUMBER : IX40AM-RJ45M-CAT6AS15	
REV. : 01	
SIZE : A3	UNIT : mm
SCALE : NONE	SHEET : 1 of 1