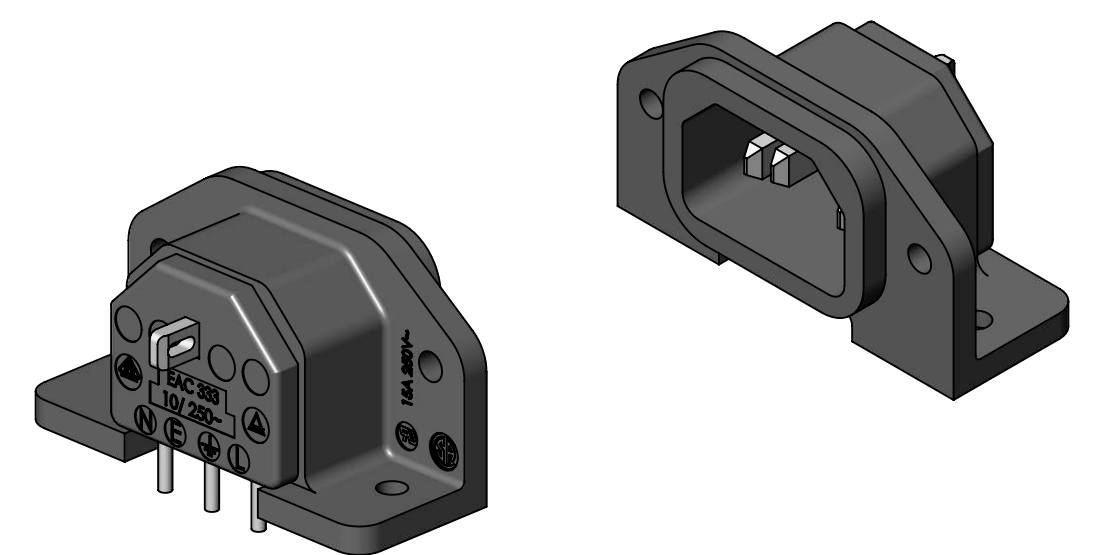


- NOTES:**
1. MEETS IEC 60320 SPECIFICATION.
 2. AGENCY APPROVAL & RATING:
VDE: 10A, 250V AC.
UL & CSA: 15A, 250V~ AC
 3. MATERIALS:
HOUSING AND COVER, BLACK THERMOPLASTIC.
TERMINALS, TIN PLATED COPPER ALLOY.
 4. THIS PRODUCT IS RoHS COMPLIANT.



CUSTOMER DRAWING

UNLESS OTHERWISE SPECIFIED 1. ALL DIMENSIONS IN INCHES [mm] - TWO PLACE DECIMALS ± 0.02 [0.5] - THREE PLACE DECIMALS ± 0.005 [0.13]					THIS DRAWING DESCRIBES A DESIGN CONSIDERED PROPRIETARY IN NATURE, DEVELOPED AND MANUFACTURED BY SWITCHCRAFT INC. AND IS RELEASED ON A CONFIDENTIAL BASIS FOR IDENTIFICATION PURPOSES ONLY.				
					SIZE	WIDTH	MULT	LBS/M	TEMPER
FINISH					SCALE				
SPEC No.					3:1				
FIRST USED ON					DATE DRAWN				
BY					05/05/89				
CHKD					05/09/89				
APVD					05/09/89				
NAME					PART No.				
MALE AC RECEPTACLE					EAC333				
RIGHT ANGLE PC MOUNT, RoHS					REV M				
REVISIONS					DO NOT SCALE DRAWING				
REV	ECO NUMBER	DATE	BY	APVD	SolidWorks CAD File				
M	28549	01/16/23	PC	TJK					
L	26887	11/29/11	BL	TJK					
K	24129	03/27/02	BL	TJK					

Switchcraft

SHEET 1 OF 1

SolidWorks CAD File