

THIS DRAWING IS UNPUBLISHED.

RELEASED FOR PUBLICATION

20

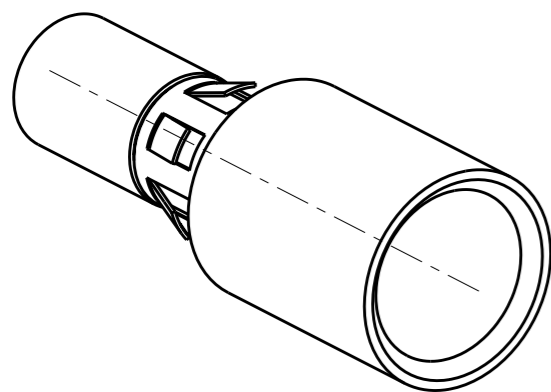
© COPYRIGHT 20

BY TYCO ELECTRONICS CORPORATION. ALL INTERNATIONAL RIGHTS RESERVED.

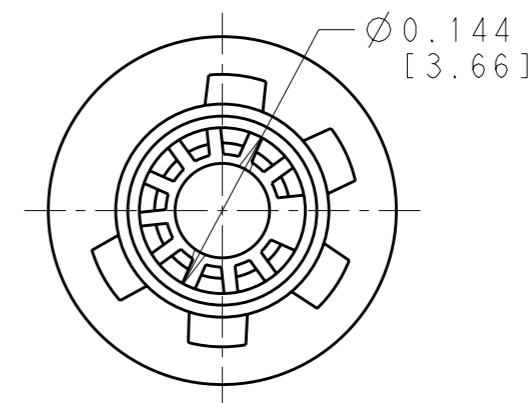
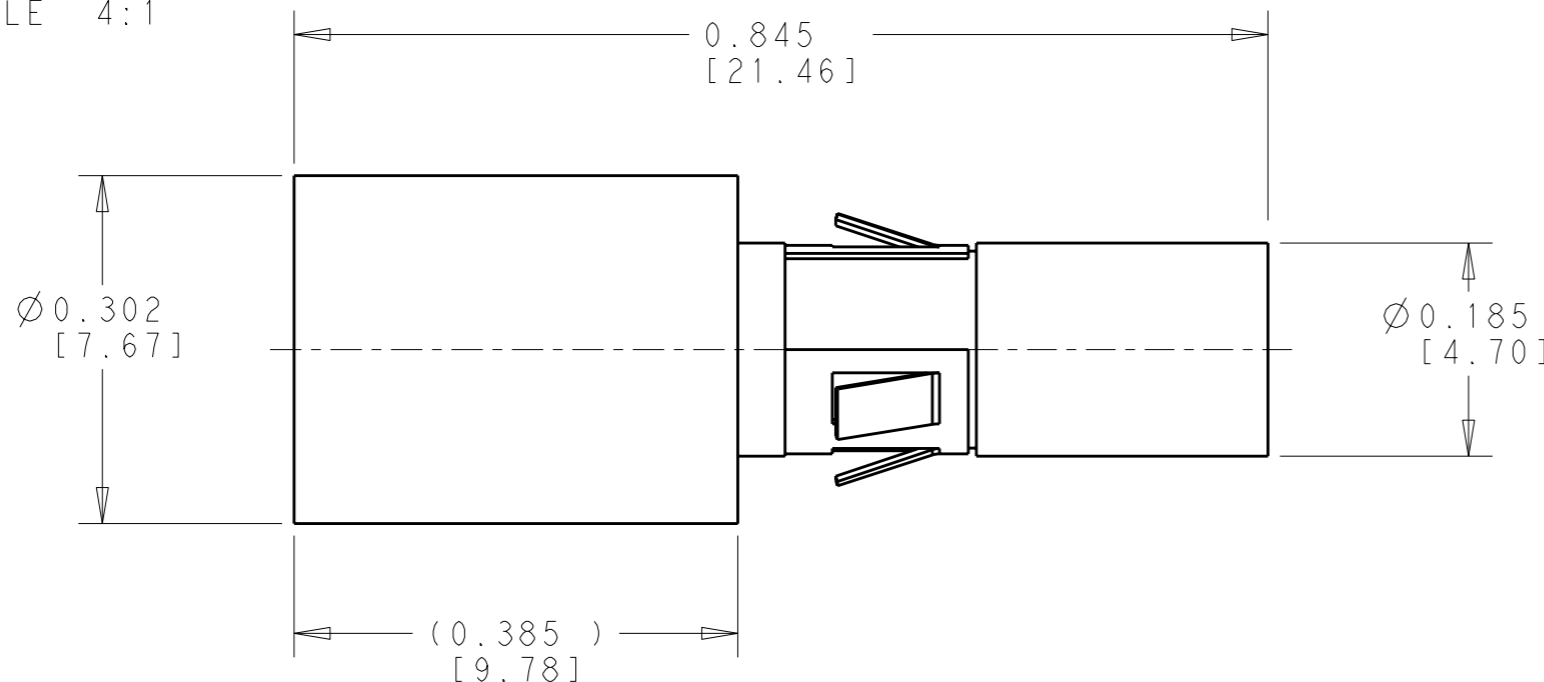
LOC GP DIST 00

REVISIONS

P	LTR	DESCRIPTION	DATE	DWN	APVD
	A	RELEASED PER ECO-10-010390	20MAY2010	RG	DO



SCALE 4:1



1 MATERIAL:
 SOCKET BODY: COPPER ALLOY
 RETENTION CLIP: STAINLESS STEEL
 CONTACT BAND: BERYLLIUM COPPER

2 FINISH:
 SOCKET BODY: GOLD PLATE .000030 (0.76µm) MIN THK GOLD OVER
 .000050 (1.27µm) MIN THK NICKEL
 CONTACT BAND: GOLD PLATE .000030 (0.76µm) MIN THK. OVER
 NICKEL .000040 (1.02µm) MIN THK.

3. WIRE BARREL WILL ACCEPT No.6 AWG WIRE
 4. MATES WITH P/N 1986605-1 OR 1986605-2

AS SHOWN	1986611-1
DESCRIPTION	PART NO.

<small>THIS DRAWING IS A CONTROLLED DOCUMENT FOR TYCO ELECTRONICS CORPORATION IT IS SUBJECT TO CHANGE AND THE CONTROLLING ENGINEERING ORGANIZATION SHOULD BE CONTACTED FOR THE LATEST REVISION.</small>		DWN 15DEC2009 R. GRZYBOWSKI CHK 15DEC2009 G. STEINHAUER APVD 15DEC2009 M. PERCHERKE		Tyco Electronics Harrisburg, PA 17105-3608	
DIMENSIONS: INCHES [mm]		TOLERANCES UNLESS OTHERWISE SPECIFIED:		NAME SOCKET POWER MODIFIED No.6 AWG	
		0 PLC ±- 1 PLC ±- 2 PLC ±.02[0.5] 3 PLC ±.010[0.25] 4 PLC ±- ANGLES ±-		PRODUCT SPEC - APPLICATION SPEC - WEIGHT -	
MATERIAL 1		FINISH 2		SIZE A3 CAGE CODE 00779 DRAWING NO C-1986611 RESTRICTED TO -	
CUSTOMER DRAWING				SCALE 6:1 SHEET 1 OF 1 REV A	