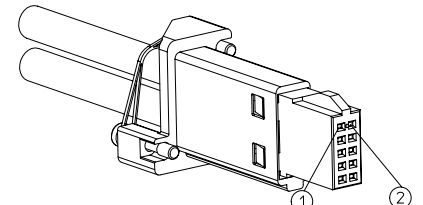
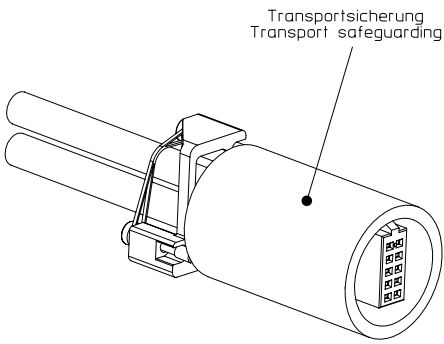


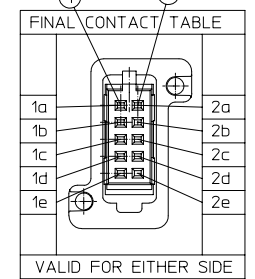
LABEL 2 MARKING	
ALL TYPES	L L L L L L L L

LABEL 1 MARKING			LABEL 1 MARKING		
85348-2009	1HAU20073AJD 85348-2009 WWYY ISS01VX	*5 DIGITS COUNTER NUMBER, START: 00100 *X=VERSION NUMBER SEE DRAWING SD-85348-201	85348-2012	HAU20073XXX 85348-2012 WWYY ISS01VX	*5 DIGITS COUNTER NUMBER, START: 00100 *X=VERSION NUMBER SEE DRAWING SD-85348-201
85348-2008	1HAU20073AHL 85348-2008 WWYY ISS01VX			1HAU20073XXX 85348-2011 WWYY ISS01VX	
85348-2007	1HAU20073AGT 85348-2007 WWYY ISS01VX			1HAU20073XXX 85348-2010 WWYY ISS01VX	
85348-2006	1HAU20073AFB 85348-2006 WWYY ISS01VX				
85348-2005	1HAU20073AEJ 85348-2005 WWYY ISS01VX				
85348-2004	1HAU20073ADR 85348-2004 WWYY ISS01VX				
85348-2003	1HAU20073ACY 85348-2003 WWYY ISS01VX				
85348-2002	1HAU20073ABG 85348-2002 WWYY ISS01VX				
85348-2001	1HAU20073AAP 85348-2001 WWYY ISS01VX				
SERIES-NO.	MARKING TEXT			SERIES-NO.	

L1	TOTAL LENGTH	M	2	5	6	7	8	9	10	15	20	1	3	4
POS.	TITLE	UNIT	QUANTITY											
LENGTH TABLE														
FINAL ASSEMBLIES 85348-2001 85348-2002 85348-2003 85348-2004 85348-2005 85348-2006 85348-2007 85348-2008 85348-2009 85348-2010 85348-2011 85348-2012														

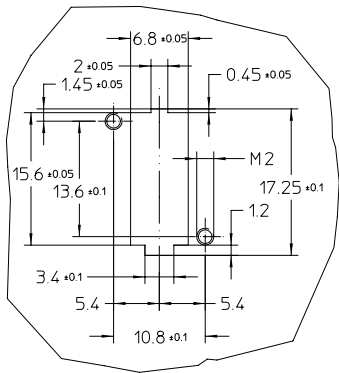


WIRING LIST				
CABLE	WIRE	WIRE COLOR	FROM TERM.1	TO TERM.2
1	a	WHITE	1e	2b
	b	WHITE	1d	2a
	c	GROUND	1c	2c
2	a	WHITE	2b	1e
	b	WHITE	2a	1d
	c	GROUND	2c	1c

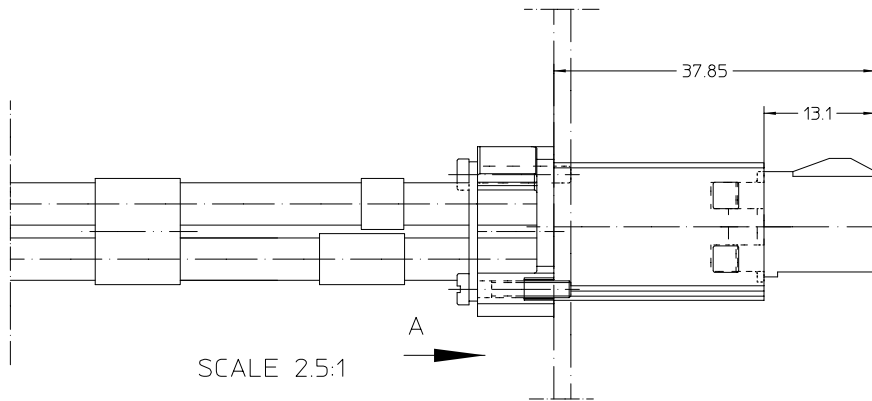


EC NO MG2002-0261 DRAWN hbauer 01/11/20 CHK W.Slonke 01/11/20 APPR HKontig 01/11/20	QUALITY SYMBOLS MAJOR CRITICAL C	GENERAL TOLERANCES: (UNLESS SPECIFIED) mm INCH 4 PLACES ±--- ±--- 3 PLACES ±--- ±--- 2 PLACES ±0.05 ±--- 1 PLACE ±0.10 ±--- ANGULAR: ± 1/2°	SCALE 2:1 DESIGN UNITS <input checked="" type="checkbox"/> mm <input type="checkbox"/> INCH THIRD ANGLE PROJECTION <input type="checkbox"/> mm <input checked="" type="checkbox"/> INCH ONLY	SHIT REV REVISE ON CAD ONLY	
	DRAWN BY & DATE hbauer 2001/11/21 CHECKED BY & DATE MIRA 2001/11/21 APPROVED BY & DATE HKontig 2001/11/21	TITLE 5X2 IEEE 1394 HIGH PERF. JUMPER CABLE SALES DRAWING	CAD FILENAME MATERIAL NO. SEE CHART	DRAWING NO. SD-85348-200	SHEET NO. 1 of 2
	DRAFT WHERE APPLICABLE MUST REMAIN WITHIN DIMENSIONS		THIS DRAWING CONTAINS INFORMATION THAT IS PROPRIETARY TO MOLEX INCORPORATED AND SHOULD NOT BE USED WITHOUT WRITTEN PERMISSION.		

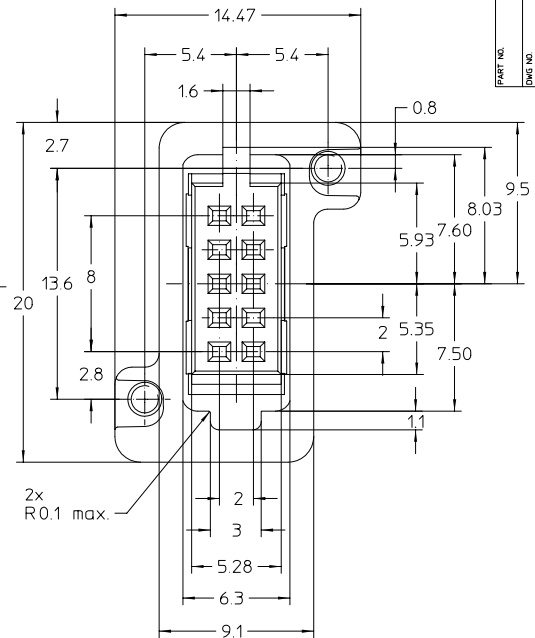
FOR REFERENCE ONLY



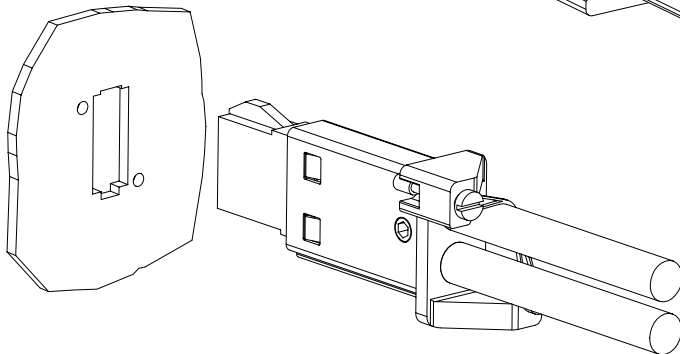
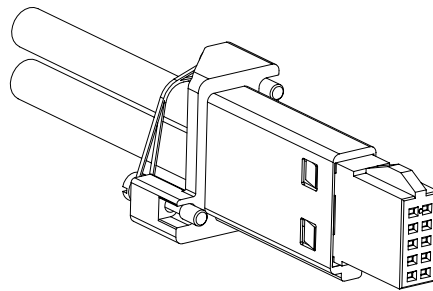
VIEW A
FRONT PANEL CUT OUT
SCALE 2.5:1



SCALE 2.5:1



VIEW B
SCALE 5:1



EC NO MG2002-0261 DRWN: HBauer 01/11/20 CHK: WStorke 01/11/20 APPR: HKontag 01/11/20	QUALITY SYMBOLS MAJOR CRITICAL C	GENERAL TOLERANCES: (UNLESS SPECIFIED)	SCALE 2.5:1	DESIGN UNITS <input checked="" type="checkbox"/> mm <input type="checkbox"/> INCH	THIRD ANGLE PROJECTION	DIMENSIONS: <input type="checkbox"/> mm <input type="checkbox"/> INCH <input checked="" type="checkbox"/> mm ONLY	SHT REVISE ON CAD ONLY	REV
	4 PLACES ±--- ±--- 3 PLACES ±--- ±--- 2 PLACES ±0.05 ±--- 1 PLACE ±0.10 ±---	DRAWN BY & DATE hbauer 2001/11/21 CHECKED BY & DATE HK 2001/11/21 APPROVED BY & DATE KONRAD 2001/11/21	ANGULAR: ± 1/2°	CAD FILENAME	MATERIAL NO. SEE SHEET 1	DRAWING NO. SD-85348-200	SHEET NO. 2 of 2	SIZE C
	DRAFT WHERE APPLICABLE MUST REMAIN WITHIN DIMENSIONS	THIS DRAWING CONTAINS INFORMATION THAT IS PROPRIETARY TO MOLEX INCORPORATED AND SHOULD NOT BE USED WITHOUT WRITTEN PERMISSION.						
	TITLE 5X2 IEEE 1394 HIGH PERF. JUMPER CABLE SALES DRAWING							