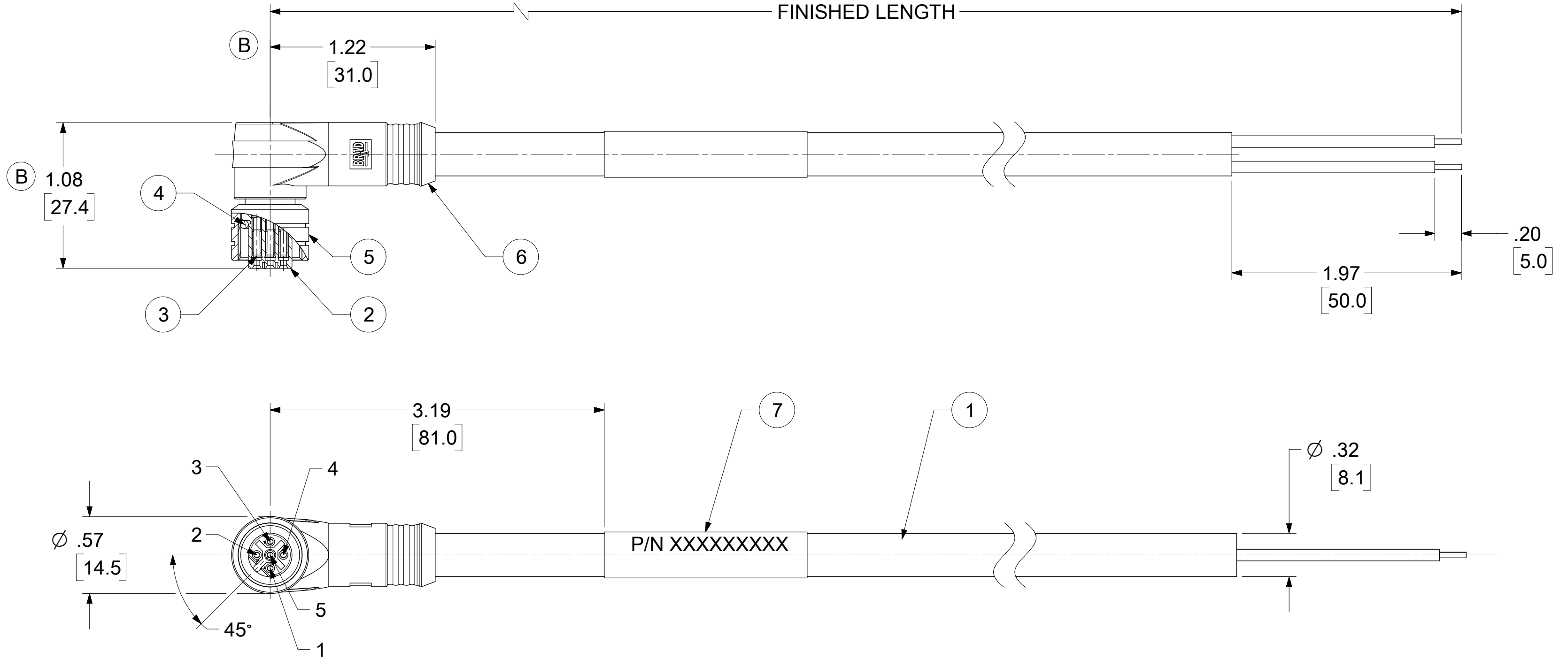


| PART NO. | ENG. NO. | FINISHED LENGTH |
|------------|---------------|--------------------|
| 1200390132 | B05S01PP4M010 | 1.0M [3FT 3.0IN] |
| 1200390134 | B05S01PP4M040 | 4.0M [13FT 1.4IN] |
| 1200985018 | B05S01PP4M090 | 9.0M [29FT 6.2IN] |
| 1200988056 | B05S01PP4M200 | 20.0M [65FT 7.2IN] |

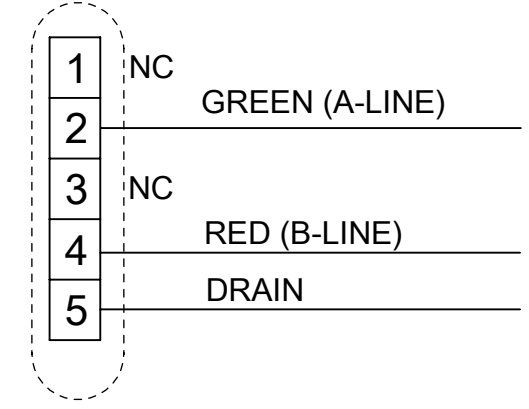


- NOTES:**
1. MATERIAL: AS NOTED
 2. FINISH: AS NOTED
 3. ELECTRICAL:
VOLTAGE; 250V AC/DC
CURRENT: 4A
 4. TEMP RATING: -20°TO +80°C
 5. PROTECTION: IP67 (WHEN MATED)
 6. COUPLING THREAD: M12 X 1
 7. ALL DIMS ARE FOR REFERENCE UNLESS TOLERANCED OR NOTED OTHERWISE

PART NUMBER MATRIX
B05S01PP4M010

LENGTH
M001 = .1 METERS
M010 = 1.0 METERS
M100 = 10 METERS

MICRO-CHANGE



WIRE DIAGRAM

| ITEM | DESCRIPTION | MATERIAL | FINISH |
|------|--------------------------|------------|---------------|
| 7 | WRAP LABEL | VINYL | BLACK/YELLOW |
| 6 | OVERMOLD | PUR | YELLOW |
| 5 | COUPLING | BRASS | NICKEL PLATED |
| 4 | O-RING | FPM | RED |
| 3 | CONTACT | Cu ALLOY | GOLD PLATED |
| 2 | INSERT, 5 POLE, SHIELDED | PUR | BLACK |
| 1 | CABLE, PROFIBUS | PUR JACKET | VIOLET |

CABLE LENGTH TOLERANCES

| | |
|--------------------------|-------------------------|
| <.3M [1FT]: | +19mm-0 [+.75in-0] |
| .3 - .9M [1 - 3FT]: | +44.5mm-0 [+1.75in-0] |
| .9 - 1.8M [3 - 6FT]: | +55.6mm-0 [+2.19in-0] |
| 1.8 - 3.7M [6 - 12FT]: | +88.9mm-0 [+3.50in-0] |
| 3.7 - 7.3M [12 - 24FT]: | +165.1mm-0 [+6.50in-0] |
| 7.3-14.6M [24 - 48FT]: | +317.5mm-0 [+12.50in-0] |
| 14.6 - 30.5M [48-100FT]: | +622.3mm-0 [+24.50in-0] |
| OVER 30M [100FT] | +2% OF FINISHED LENGTH |

| | | | | |
|--------------------|---|-------|---|----------------|
| FUNCTIONAL SYMBOLS | THIS DRAWING CONTAINS INFORMATION THAT IS PROPRIETARY TO MOLEX ELECTRONIC TECHNOLOGIES, LLC AND SHOULD NOT BE USED WITHOUT WRITTEN PERMISSION | | CURRENT REV DESC: REDRAWN TO NX, O-MOLD CHANGED PER 5901 MFG STD., ADD P/N MATRIX, UPDATE NOTES | |
| | DIMENSION UNITS | SCALE | EC NO: 704283 | |
| $\frac{F}{A} = 0$ | IN/MM | 1.5:1 | DRWN: RSTONE | 2022/04/21 |
| $\frac{F}{C} = 0$ | GENERAL TOLERANCES (UNLESS SPECIFIED) | | CHK'D: MZIELINSKI | 2022/04/22 |
| $\frac{F}{P} = 0$ | | | APPR: BWOODMAN | 2022/04/22 |
| DIVISIONAL SYMBOLS | 4 PLACES | ± | INITIAL REVISION: | |
| | 3 PLACES | ± | DRWN: DW | 2009/07/28 |
| | 2 PLACES | ± | APPR: JFMURPHY | 2009/07/28 |
| | 1 PLACE | ± | THIRD ANGLE PROJECTION | |
| | 0 PLACES | ± | DRAWING | SERIES |
| | ANGULAR TOL | ± ° | C-SIZE | 120039 |
| | DRAFT WHERE APPLICABLE MUST REMAIN WITHIN DIMENSIONS | | MATERIAL NUMBER | CUSTOMER |
| | | | SEE P/N MATRIX | GENERAL MARKET |

molex

MICRO-CHANGE CABLE ASSEMBLY
5P FEMALE, 90 DEG, B-CODE, PROFIBUS

PRODUCT CUSTOMER DRAWING

| | | | |
|-----------------|----------|----------|----------|
| DOCUMENT NUMBER | DOC TYPE | DOC PART | REVISION |
| SD-120039-003 | PSD | 001 | B |

SHEET NUMBER: 1 OF 1