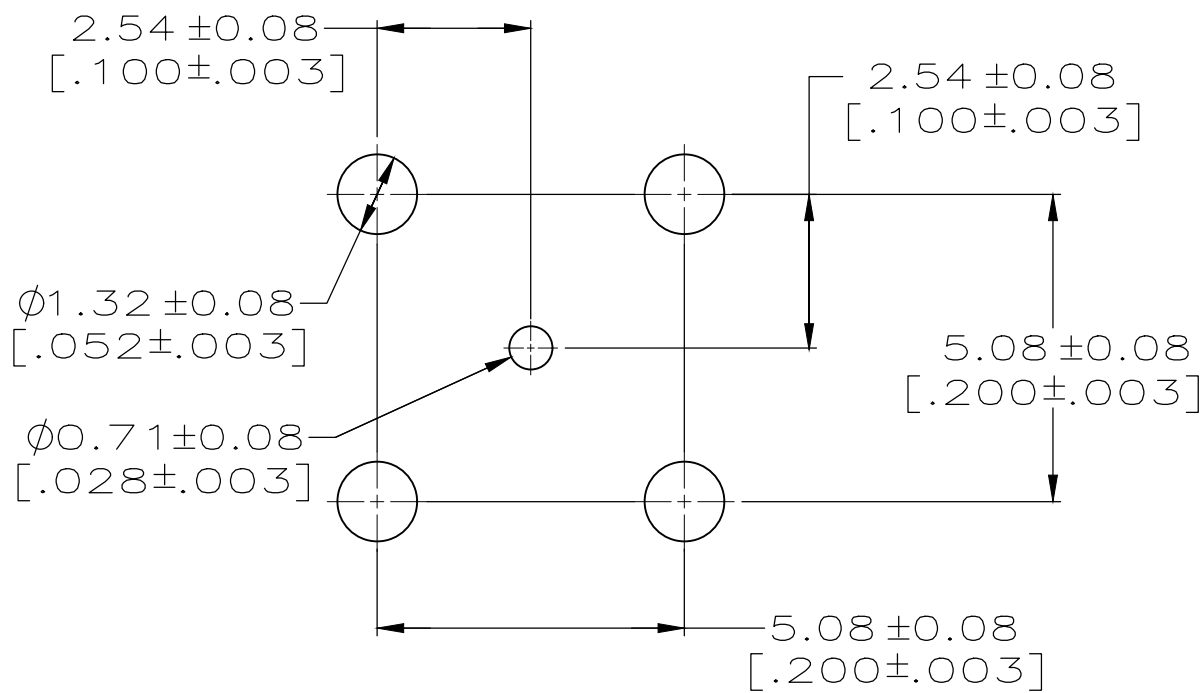
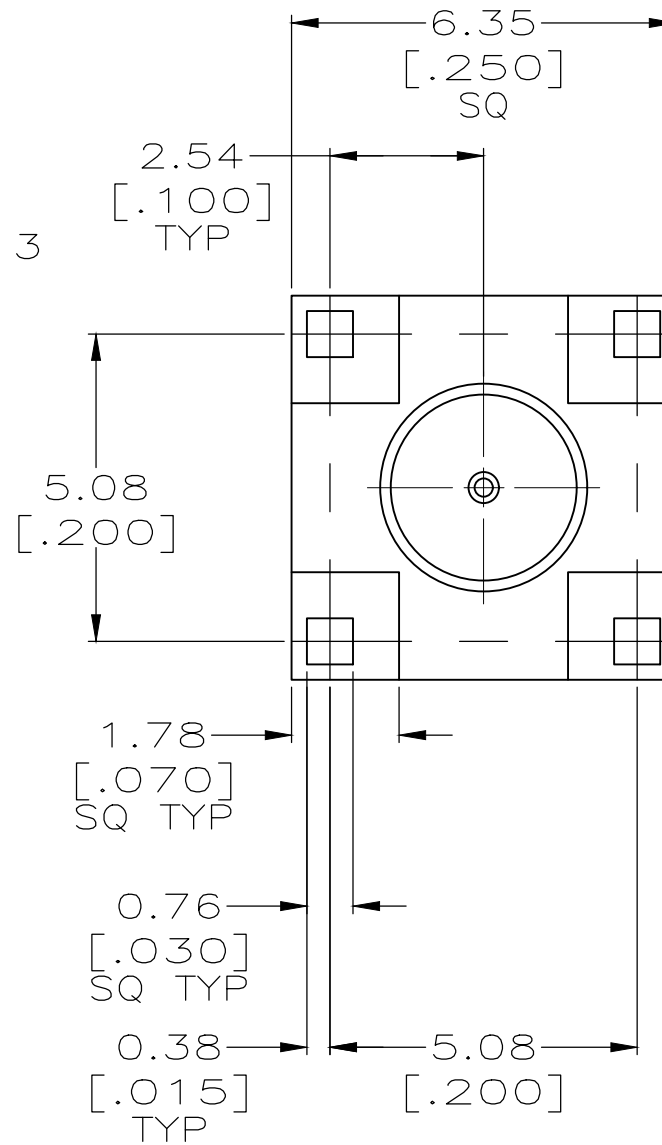
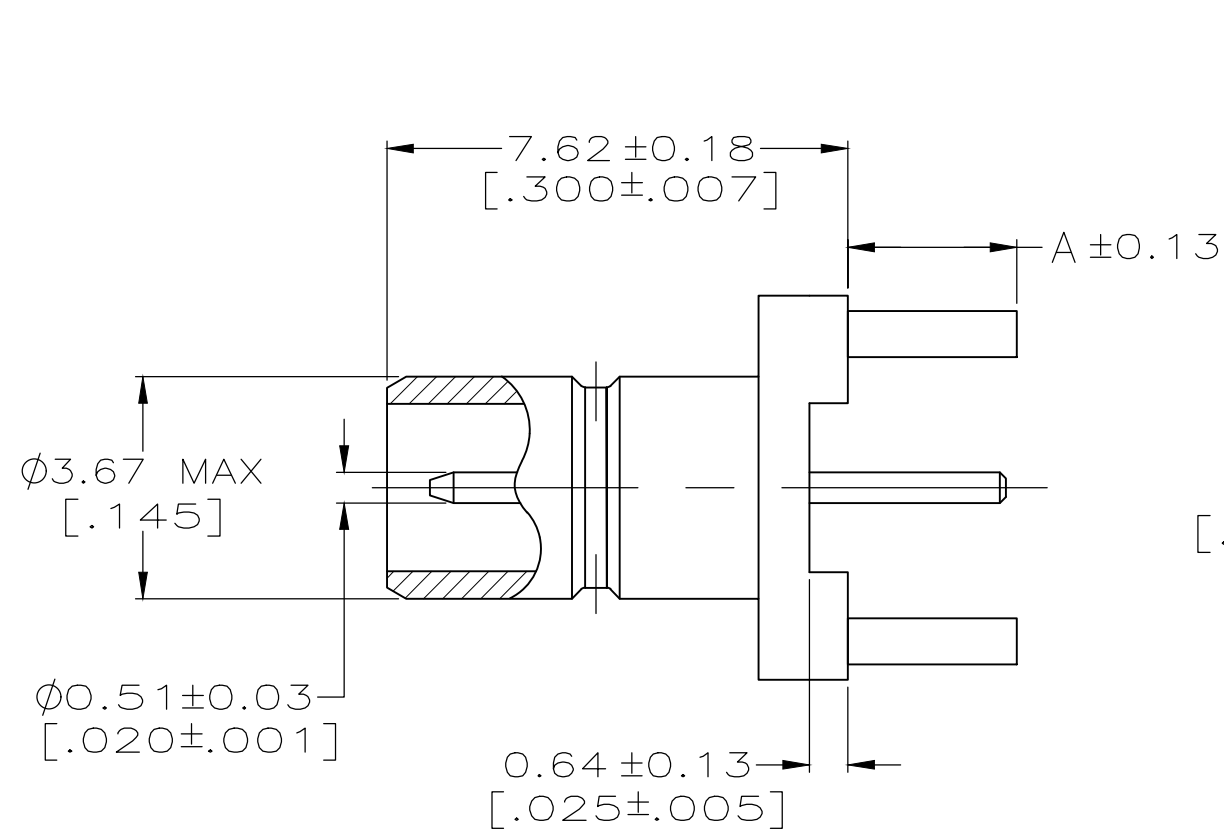


P	LTR	DESCRIPTION	DATE	DWN	APVD
	B2	REVISED PER ECR-20-013534	23SEP2020	RZ	RS



- ① MATERIALS:
BODY: BRASS PER QQ-B-626.
CONTACT: BRASS PER QQ-B-626.
DIELECTRIC: PTFE PER ASTM-D-1710.
- ② FINISHES:
BODY: GOLD PER MIL-G-45204.
CONTACT: GOLD PER MIL-G-45204.
- ③ FINISHES:
BODY: GOLD FLASH PER MIL-G-45204
OVER NICKEL PER QQ-N-290.
CONTACT: GOLD PER MIL-G-45204.
- ④ SEE SEPERATE RESTRICTED CUSTOMER DRAWING WITH THIS PART NUMBER.

OBSOLETE

3.05	[.120]	③	415504-7
-	-	-	415504-6
3.05	[.120]	③	415504-4
3.05	[.120]	②	415504-3
2.11	[.083]	③	415504-2
2.11	[.083]	②	415504-1
A		FINISH	PART NUMBER

THIS DRAWING IS A CONTROLLED DOCUMENT.		DWN B.MOYER 27JUN96	STE TE Connectivity		
DIMENSIONS: mm [INCHES]		CHK G. MICHAEL 28JUN96			
TOLERANCES UNLESS OTHERWISE SPECIFIED:		APVD G. MICHAEL 28JUN96	NAME STRAIGHT JACK, PCB, 75 OHM, MINI-SMB		
0 PLC ± -		PRODUCT SPEC	APPLICATION SPEC		
1 PLC ± -		SIZE			
2 PLC ± 0.05 [.002]		CAGE CODE			
3 PLC ± -		DRAWING NO			
4 PLC ± -		RESTRICTED TO			
ANGLES ± -		WEIGHT 0.000000			
FINISH		A3 00779 C-415504			
①		CUSTOMER DRAWING			
② ③		SCALE 8:1 SHEET 1 OF 1 REV B2			

RECOMMENDED PCB CONFIGURATION