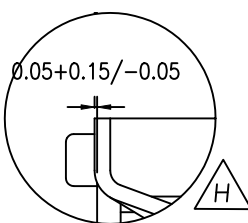
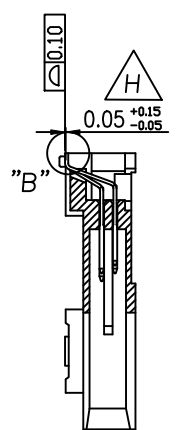
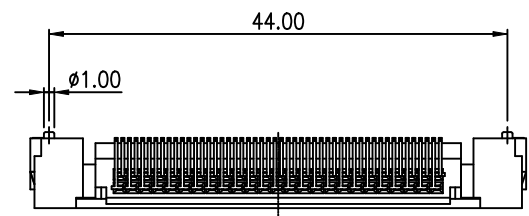


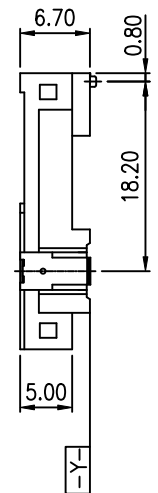
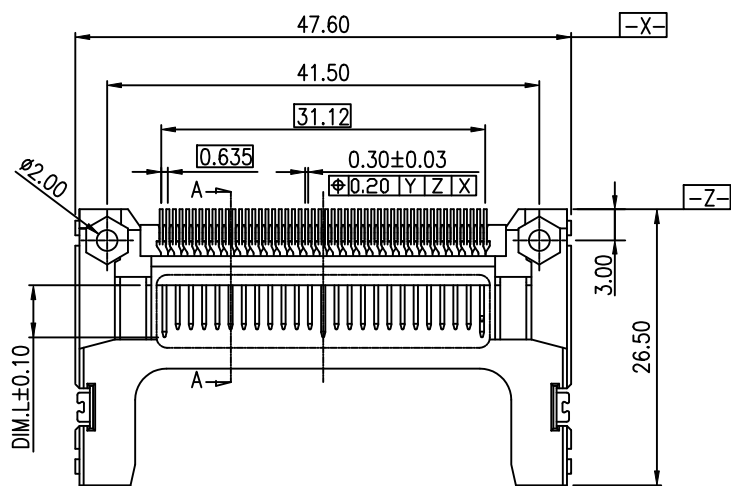
PRODUCT NO.  
10017963-XXXXX



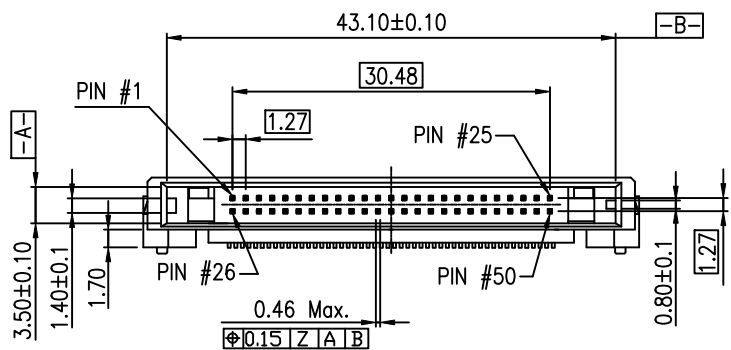
DETAIL B



SECTION A-A



PIN TYPE	DIM.L±0.10	PIN NUMBER
DETECT	3.50	25,26
CENERAL	4.25	ALL OTHER PINS
POWER	5.00	1,13,38,50



mat'l. code				tolerances unless otherwise specified			CUSTOMER COPY		FCI		
ltr	ecn no	dr	date	linear	.X ± 0.30		projection	www.fciconnect.com			
C	T03-0415	J.C	9/22/03'		.XX ± 0.20			title	CF CARD HEADER TYPE 1		
D	T05-0122	A.C	6/07/05		.XXX ± 0.10				product family	code	
E	T07-1119	WL	07/24/07	angles	0° ± 2°		MM	size		TWN	
F	T08-1014	WL	01/24/08	dr	JASON HSU	01/09/03'		scale	10017963		sheet
G	T08-1023	WL	02/12/08	engr	JASON HSU	01/09/03'	A4		1 of 3		
H	T10-0056	S.LIN	10'-5-06	chr	STERLING LIN	01/09/03'					
				appd	JAMES HSU	01/09/03'					
sheet index	revision sheet	H 1	H 2	H 3							

Tous droits strictement reserves. Reproduction ou communication a des tiers interdite sous quelque forme que ce soit sans autorisation ecrite du proprietaire. Propriete de c FCI. Droits de reproduction FCI.



All rights strictly reserved. Reproduction or issue to third parties in any form whatever is not permitted without written authority from the proprietor. Property of FCI. Copyright FCI.

Tous droits strictement reserves. Reproduction ou communication a des tiers interdite sous quelque forme que ce soit sans autorisation ecrite du proprietaire. Propriete de c FCI. Droits de reproduction FCI.

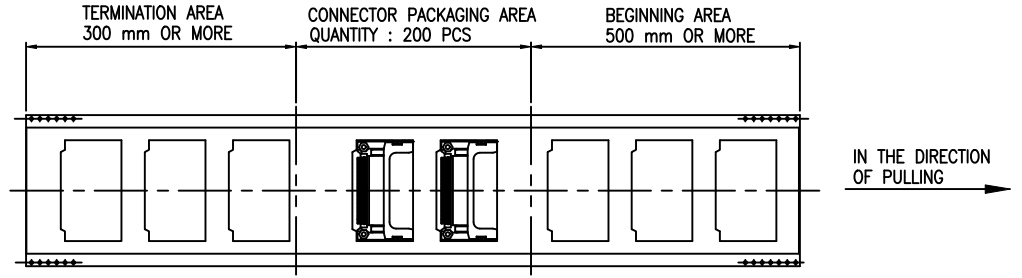
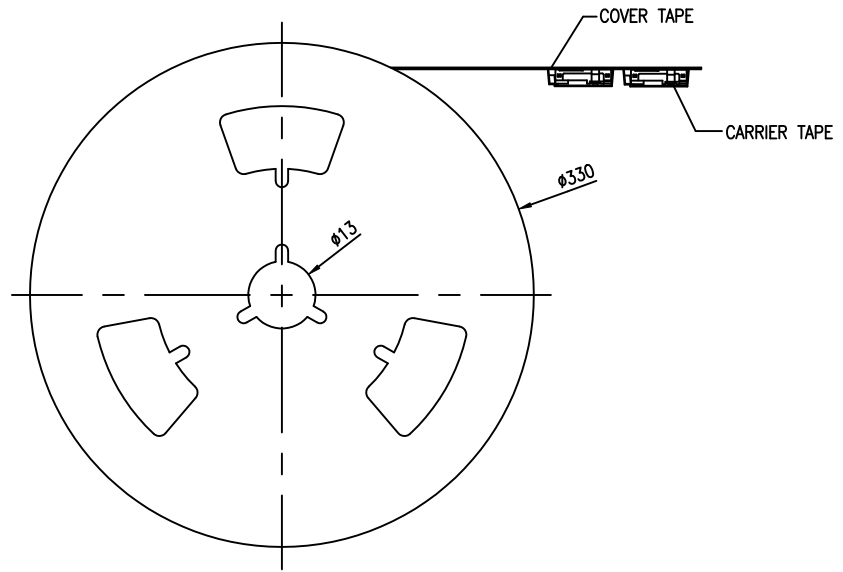
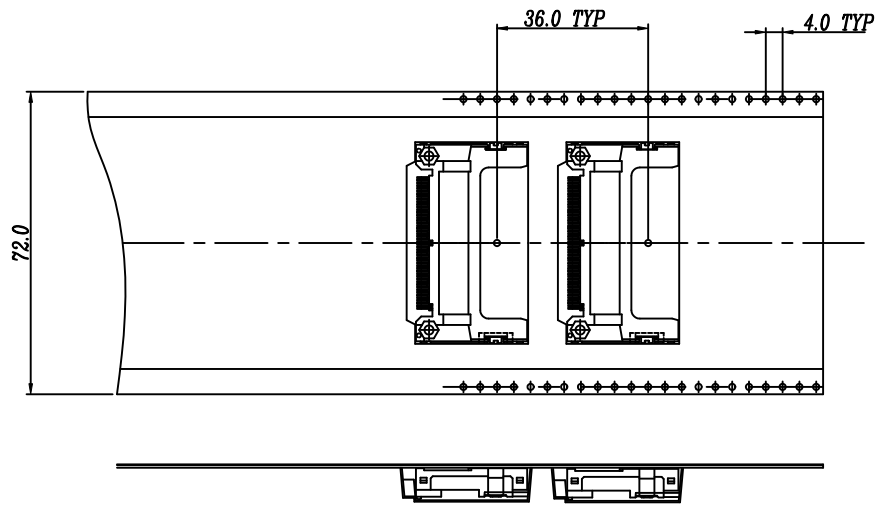
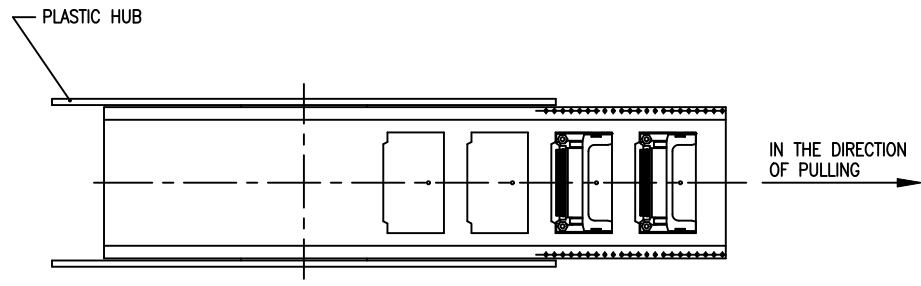


All rights strictly reserved. Reproduction or issue to third parties in any form whatever is not permitted without written authority from the proprietor. Property of FCI. Copyright FCI.

1 | 2

3

4



COMPOSITION OF PACKAGING

NOTES:

1. CARRIER TAPE : PS , t=0.35mm.
2. COVER TAPE : PE.
3. PLASTIC HUB : PS.

mat'l. code				tolerances unless otherwise specified				CUSTOMER COPY		FCI		www.fciconnect.com	
ltr	ecn no	dr	date	linear	.X ± 0.30			projection	title				
H					.XX ± 0.20				CF CARD HEADER TYPE 1				
					.XXX ± 0.10				product family				
				angles	0° ±2'			MM	code				
				dr	JASON HSU	01/09/03'	scale		size			TWN	
				enrg	JASON HSU	01/09/03'		A4	10017963			sheet	
				chr	STERLING LIN	01/09/03'					2 of		
				appd	JAMES HSU	01/09/03'							
sheet index	revision sheet												

1 | 2

3

4

NOTES:

1. Materials:  
 Housing: High Temperature Thermoplastic , UL94V-0, Color/Natural.  
 Contact: Copper Alloy.  
 Solderable Holddown: Copper Alloy.

2. Specification:  
 Product Spec: GS-12-240.  
 Packaging Spec: GS-14-1010.

3. Tin/Lead Plating Spec:  
 Contact: Under Plated 50u" Min Nickel All Over,  
 100u" Min Tin/Lead in Solder Tail Area,  
 Selective Gold Plating in Contact Area.  
 Solderable Holddown: Under Plated 50u" Min Nickel,  
 Plated 100u"Min Tin/Lead All Over.

4. Lead-Free Plating Spec:  
 Contact: Under Plated 50u" Min Nickel All Over,  
 100u" Min Pure Matte Tin in Solder Tail Area,  
 Selective Gold Plating in Contact Area.  
 Solderable Holddown: Under Plated 50u" Min Nickel,  
 Plated 100u"Min Pure Matte Tin All Over.

5. The Housing Will Withstand Exposure to 260°C Peak  
 Temperature For 10 Seconds In A Convection, IR Or Vaper  
 Phase Reflow Oven.

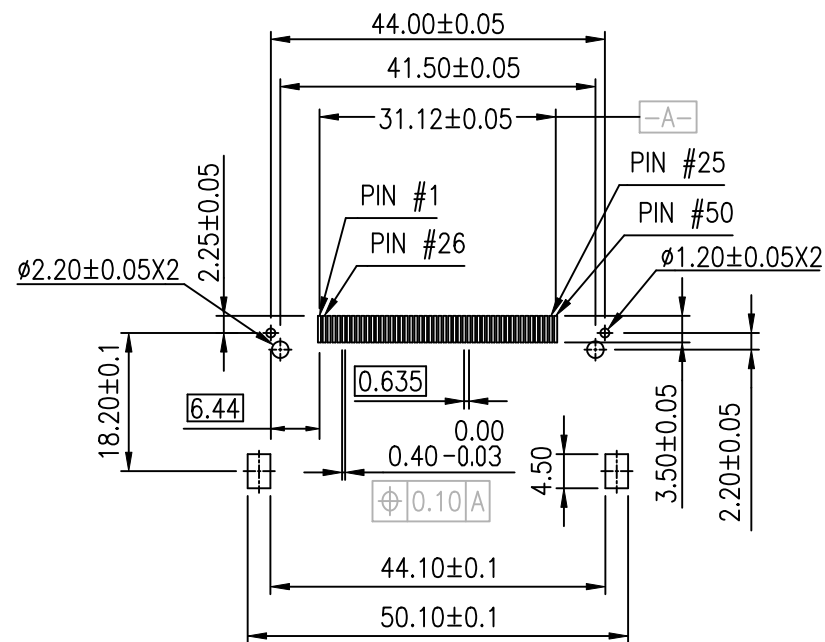
6. This Product (10017963-XXXXLX) Meets the European Union  
 Directive as Described in GS-22-008, Sub Clause 3.1.  
 (2002/95/EC).

7. PART NUMBER DESCRIPTION:  
 10017963-X050XX

LEAD-FREE PLATING OPTION  
 BLANK: TIN/LEAD PLATING(SEE NOTE3).  
 LF: LEAD-FREE PLATING(SEE NOTE4).

PACKAGING  
 BLANK: PVC TRAY.  
 T: TAPE & REEL.

CONTACT AREA PLATING:  
 D: 15u" GOLD.  
 E: 30u" GOLD.



P.C.B Layout

Tous droits strictement reserves. Reproduction ou communication a des tiers interdite sous quelque forme que ce soit sans autorisation ecrite du proprietaire. Propriete de c FCI. Droits de reproduction FCI.



All rights strictly reserved. Reproduction or issue to third parties in any form whatever is not permitted without written authority from the proprietor. Property of FCI. Copyright FCI.

mat'l. code				tolerances unless otherwise specified				CUSTOMER COPY		FCI www.fciconnect.com	
ltr	ecn no	dr	date	linear	.X ± 0.30				projection	title	
H					.XX ± 0.20					CF CARD HEADER TYPE 1	
					.XXX ± 0.10						
				angles	0° ±2°				MM	product family	
				dr	JASON HSU	01/09/03'	scale			code	
				engr	JASON HSU	01/09/03'	A4			TWN	
				chr	STERLING LIN	01/09/03'			sheet		
				appd	JAMES HSU	01/09/03'			3 of		
sheet index	revision sheet										