

NOTES :

1. MATERIAL :

HOUSING : HIGH TEMPERATURE NYLON ,GLASS FIBER, UL94-V0 , COLOR: BLACK
 TERMINAL : PHOSPHOR BRONZE
 METAL SHELL : COPPER ALLOY

2. PLATING :

TERMINAL :

CONTACT AREA : (a) GOLD FLASH,
 (b) GL0D (Au), THICKNESS = 30 MICROINCH/0.76 MICROMETER
 SOLDER TAIL : PURE TIN(Sn),

THICKNESS= 75 MICROINCH /1.9 MICROMETER

UNDER PLATE : NICKEL (Ni), THICKNESS= 50 MICROINCH/1.27 MICROMETER
 METAL SHELL :

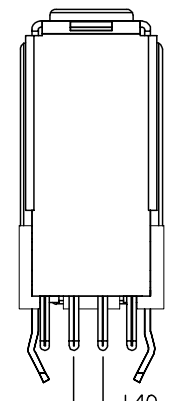
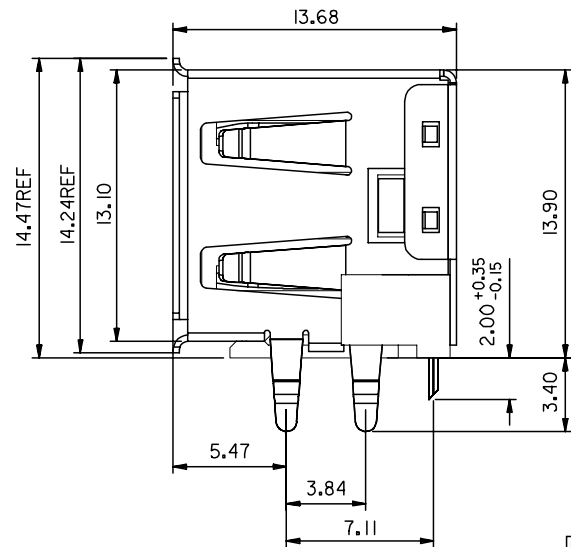
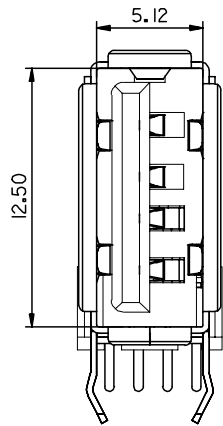
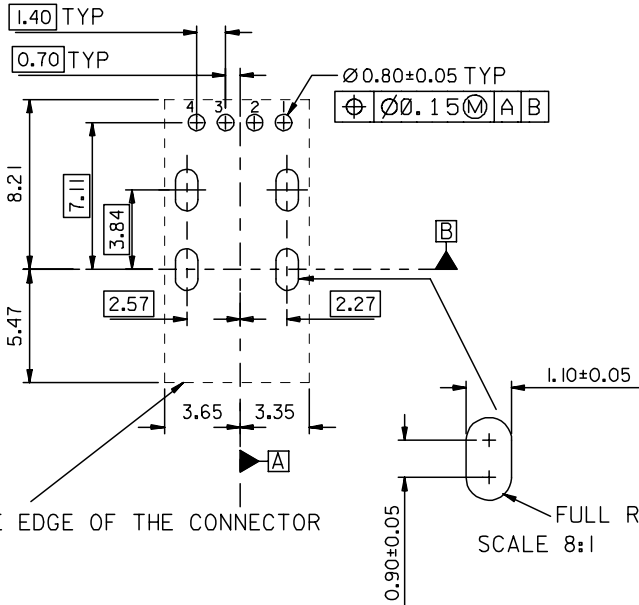
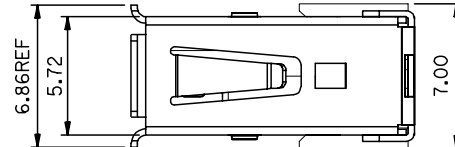
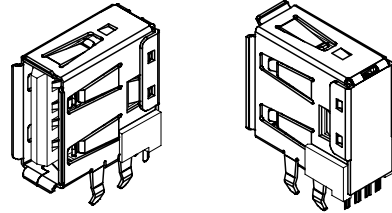
PURE TIN(Sn), THICKNESS=50-100MICROINCH /1.27-2.54MICROMETER.

UNDER PLATE : NICKEL (Ni), THICKNESS= 50 MICROINCH/1.27 MICROMETER

3 RECOMMENDED PCB THICKNESS : 1.20±0.05mm & 1.60±0.05 mm

4 PRODUCT SPECIFICATION : REFER TO PS-89485

5 PACKAGING SPECIFICATION : REFER TO PK-67329-001



THE EDGE OF THE CONNECTOR

FULL R TYPE
SCALE 8:1

PART NUMBER LEGEND:

P/N	CONTACT PLATING
47500-0000	GOLD FLASH
47500-0001	0.76 MICROMETER/30 MICROINCH GOLD

NEW RELEASE	EC NO.	DRW: DAVID HU 2004/11/13	CHK: HARVEY 2004/11/13	APPR:
DESCRIPTION	MAJOR	QUALITY SYMBOLS		
REV	CRITICAL	GENERAL TOLERANCES: (UNLESS SPECIFIED)		
	C	SCALE 4:1		
		DESIGN UNITS		
		THIRD ANGLE PROJECTION		
		TITLE: USB"A" UP-RIGHT CONNECTOR FLANGE OUT TYPE (LEAD-FREE)		
		MATERIAL NO. 47500-000*		
		DRAWING NO. SD-47500-002		
		SHEET NO. 1 OF 1		
		THIS DRAWING CONTAINS INFORMATION THAT IS PROPRIETARY TO MOLEX INCORPORATED AND SHOULD NOT BE USED WITHOUT WRITTEN PERMISSION.		
		SIZE A3		

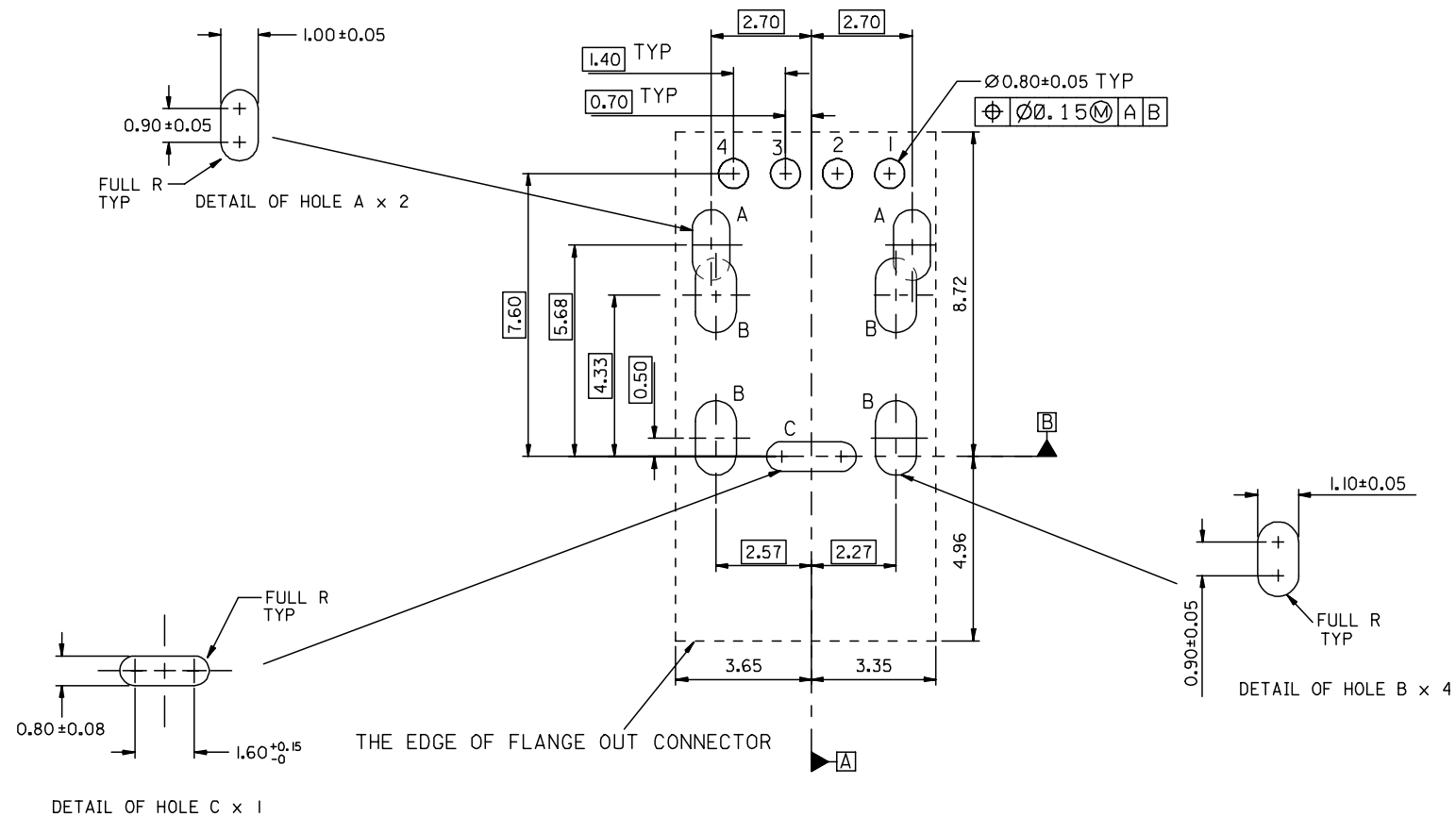
NEW RELEASE	EC NO.	DRW: DAVID HU 2004/11/13	CHK: HARVEY 2004/11/13	APPR:
DESCRIPTION	MAJOR	QUALITY SYMBOLS		
REV	CRITICAL	GENERAL TOLERANCES: (UNLESS SPECIFIED)		
	C	SCALE 4:1		
		DESIGN UNITS		
		THIRD ANGLE PROJECTION		
		TITLE: USB"A" UP-RIGHT CONNECTOR FLANGE OUT TYPE (LEAD-FREE)		
		MATERIAL NO. 47500-000*		
		DRAWING NO. SD-47500-002		
		SHEET NO. 1 OF 1		
		THIS DRAWING CONTAINS INFORMATION THAT IS PROPRIETARY TO MOLEX INCORPORATED AND SHOULD NOT BE USED WITHOUT WRITTEN PERMISSION.		
		SIZE A3		

NEW RELEASE	EC NO.	DRW: DAVID HU 2004/11/13	CHK: HARVEY 2004/11/13	APPR:
DESCRIPTION	MAJOR	QUALITY SYMBOLS		
REV	CRITICAL	GENERAL TOLERANCES: (UNLESS SPECIFIED)		
	C	SCALE 4:1		
		DESIGN UNITS		
		THIRD ANGLE PROJECTION		
		TITLE: USB"A" UP-RIGHT CONNECTOR FLANGE OUT TYPE (LEAD-FREE)		
		MATERIAL NO. 47500-000*		
		DRAWING NO. SD-47500-002		
		SHEET NO. 1 OF 1		
		THIS DRAWING CONTAINS INFORMATION THAT IS PROPRIETARY TO MOLEX INCORPORATED AND SHOULD NOT BE USED WITHOUT WRITTEN PERMISSION.		
		SIZE A3		

NEW RELEASE	EC NO.	DRW: DAVID HU 2004/11/13	CHK: HARVEY 2004/11/13	APPR:
DESCRIPTION	MAJOR	QUALITY SYMBOLS		
REV	CRITICAL	GENERAL TOLERANCES: (UNLESS SPECIFIED)		
	C	SCALE 4:1		
		DESIGN UNITS		
		THIRD ANGLE PROJECTION		
		TITLE: USB"A" UP-RIGHT CONNECTOR FLANGE OUT TYPE (LEAD-FREE)		
		MATERIAL NO. 47500-000*		
		DRAWING NO. SD-47500-002		
		SHEET NO. 1 OF 1		
		THIS DRAWING CONTAINS INFORMATION THAT IS PROPRIETARY TO MOLEX INCORPORATED AND SHOULD NOT BE USED WITHOUT WRITTEN PERMISSION.		
		SIZE A3		

DO NOT SCALE DRAWING

F
E
D
C
B
A



NEW RELEASE EC NO: SH2005-0144 DRWN: DAVID HU 2004/11/13 CHKD: HARVEY 2004/12/07 APPR: YIYAP 2004/12/07	QUALITY SYMBOLS ▽=0 ▽C=0	GENERAL TOLERANCES (UNLESS SPECIFIED)		DIMENSION STYLE MM ONLY		SCALE 8:1	DESIGN UNITS METRIC	THIRD ANGLE PROJECTION		
		4 PLACES	± ---	± ---	DRAWN BY DAVID HU	DATE 2004/11/13	TITLE RECOMMENDED PCB LAYOUT FOR FLANGE OUT & STANDARD USB*A* UP RIGHT CONNECTOR (LEAD-FREE)			
		3 PLACES	± ---	±	CHECKED BY HARVEY	DATE 2004/11/29	MOLEX INCORPORATED			
		2 PLACES	± 0.25	± 0.10	APPROVED BY VINCENT	DATE 2004/11/29	DOCUMENT NO. SD-47500-003		SHEET NO. 1 OF 1	
		1 PLACE	± 0.25	± 0.10	MATERIAL NO. 47500-000*		THIS DRAWING CONTAINS INFORMATION THAT IS PROPRIETARY TO MOLEX INCORPORATED AND SHOULD NOT BE USED WITHOUT WRITTEN PERMISSION			
DRAFT WHERE APPLICABLE MUST REMAIN WITHIN DIMENSIONS		ANGULAR ± 3°		SIZE A3						