

1986722-4 ✓ ACTIVE

Buchanan

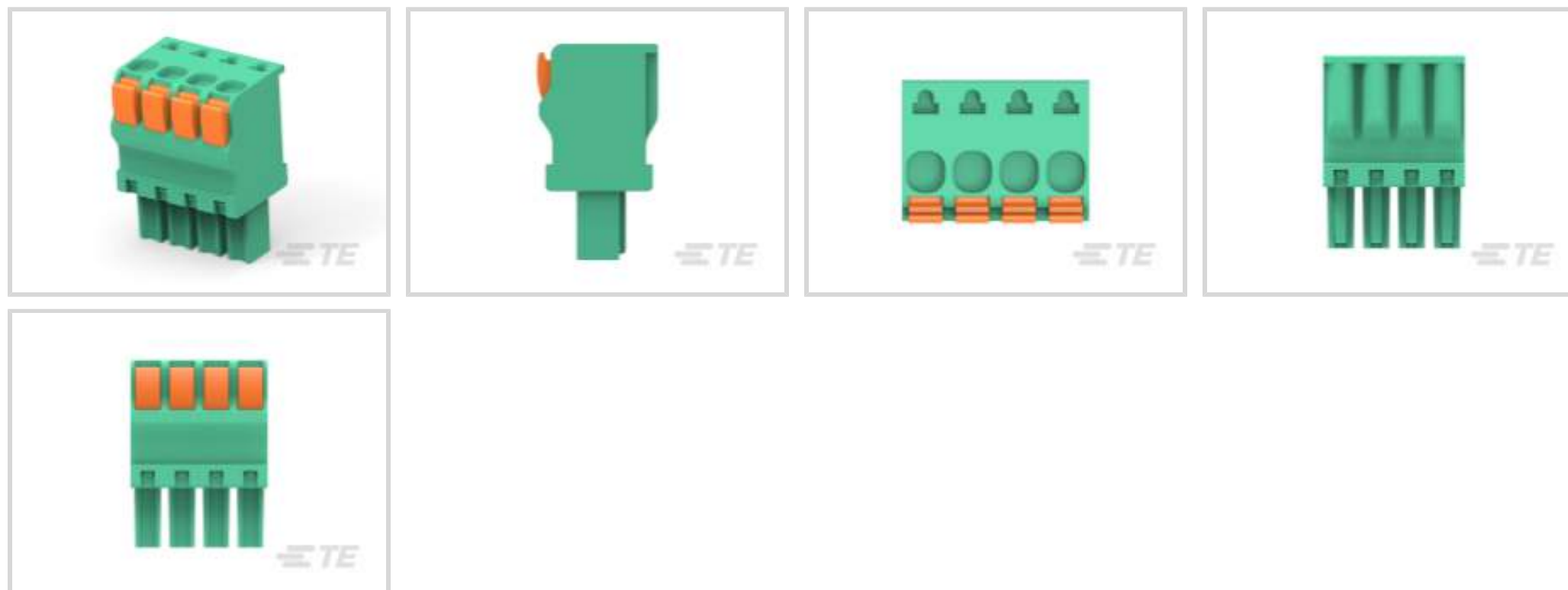
TE Internal #: 1986722-4

PCB Terminal Blocks, Plug, Wire-to-Board, 4 Position, .15 in [3.81 mm] Centerline, 1 Row, 180° Wire Entry Angle, 30 – 14 AWG Wire Size

[View on TE.com >](#)



Connectors > Terminal Blocks & Strips > PCB Terminal Blocks



Terminal Block Connector Type: **Plug**

Connector System: **Wire-to-Board**

Number of Positions: **4**

Centerline (Pitch): **3.81 mm [.15 in]**

Number of Rows: **1**

Features

Product Type Features

Wire Protection	With
Terminal Block Connector Type	Plug
Connector System	Wire-to-Board

Configuration Features

Wire Entry Location	Top
Stacking Configuration	Side Stackable
Number of Positions	4
Number of Rows	1
Wire Entry Angle	180°

Electrical Characteristics

Operating Voltage	300 VAC
-------------------	---------

Body Features

Lever Color	Orange
Primary Product Color	Green



Product Orientation	Vertical
---------------------	----------

Contact Features

Contact Mating Area Plating Material	Tin
Contact Base Material	Copper Alloy
Contact Current Rating (Max)	11 A

Termination Features

Termination Method to Wire & Cable	Push-in, Spring Terminal
------------------------------------	--------------------------

Housing Features

Housing Material	PA 66
Centerline (Pitch)	3.81 mm [.15 in]

Dimensions

Wire Size	.05 – 2 mm ²
-----------	-------------------------

Usage Conditions

Operating Temperature Range	-40 – 65 °C [-40 – 149 °F]
-----------------------------	----------------------------

Operation/Application

Circuit Application	Power & Signal
---------------------	----------------

Packaging Features

Packaging Quantity	150
--------------------	-----

Product Compliance

[For compliance documentation, visit the product page on TE.com>](#)

EU RoHS Directive 2011/65/EU	Compliant
EU ELV Directive 2000/53/EC	Not Yet Reviewed
China RoHS 2 Directive MIIT Order No 32, 2016	No Restricted Materials Above Threshold
EU REACH Regulation (EC) No. 1907/2006	Current ECHA Candidate List: JUNE 2023 (235) Candidate List Declared Against: JUNE 2022 (224) Does not contain REACH SVHC
Halogen Content	Low Halogen - Br, Cl, F, I < 900 ppm per homogenous material. Also BFR/CFR/PVC Free
Solder Process Capability	Wave solder capable to 265°C

Product Compliance Disclaimer

This information is provided based on reasonable inquiry of our suppliers and represents our current actual knowledge based on the information they provided. This information is subject to change. The part numbers that TE has identified as EU RoHS compliant have a maximum concentration of 0.1% by weight in homogenous materials for lead, hexavalent chromium, mercury, PBB, PBDE, DBP, BBP, DEHP, DIBP, and 0.01% for cadmium, or qualify for an exemption to these limits as defined in the Annexes of Directive 2011/65/EU (RoHS2). Finished electrical and electronic equipment products will be CE marked as required by Directive 2011/65/EU. Components may not be CE marked. Additionally, the part numbers that TE has identified as EU ELV compliant have a maximum concentration of 0.1% by weight in homogenous materials for lead, hexavalent chromium, and mercury, and 0.01% for cadmium, or qualify for an exemption to these limits as defined in the Annexes of Directive 2000/53/EC (ELV). Regarding the REACH Regulation, the information TE provides on SVHC in articles for this part number is based on the latest European Chemicals Agency (ECHA) 'Guidance on requirements for substances in articles' posted at this URL: <https://echa.europa.eu/guidance-documents/guidance-on-reach>

Compatible Parts



TE Part # 284517-4
4P TERMIBLOK HDR DIR POL




TE Part # 2342077-4
4POS HDR 90 DEG,HT,3.81MM PITCH, TL 1.9MM




TE Part # 2342078-4
4POS HDR ST, HT, 3.81MM PITCH, TL 1.9MM


Customers Also Bought



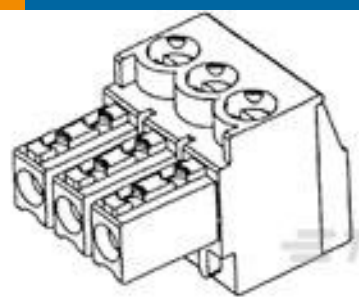
TE Part #2213362-2
Rcpt Assy,Dimmable Photocontrol, 150C,3/4



TE Part #282843-4
TERMI-BLOK PCB MOUNT 90 4P.1



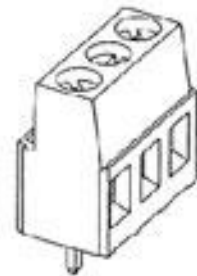
TE Part #282858-4
4P. TERMI-BLOK PCB MOUNT 90



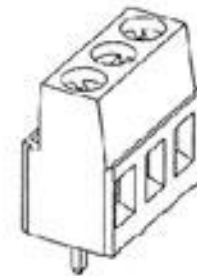
TE Part #284507-4
4 POS TERMI-BLOK PLUG STAC 3,8



TE Part #284517-4
4P TERMIBLOK HDR DIR POL



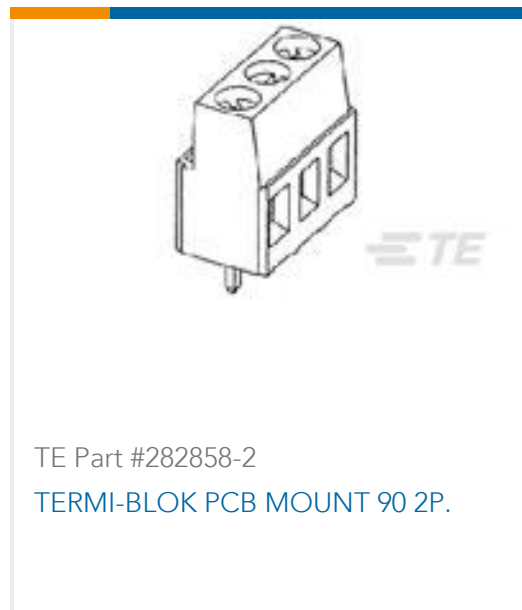
TE Part #282842-2
TERMI-BLOK PCB MOUNT 90 2P.



TE Part #282842-4
TERMI-BLOK PCB MOUNT 90 4P.



TE Part #2-1623720-5
CCR2 18R 10%



Documents

Product Drawings

[STR PLUG SPRING TYPE LH 4P, 3.81mm](#)

English

CAD Files

[3D PDF](#)

3D

Customer View Model

[ENG_CVM_CVM_1986722-4_A.2d_dxf.zip](#)

English

Customer View Model

[ENG_CVM_CVM_1986722-4_A.3d_igs.zip](#)

English

Customer View Model

[ENG_CVM_CVM_1986722-4_A.3d_stp.zip](#)

English

By downloading the CAD file I accept and agree to the [Terms and Conditions](#) of use.

Datasheets & Catalog Pages

[2-1773464-1_Spring_Type_Straight_Plugs](#)

English

Agency Approvals

[UL](#)

English