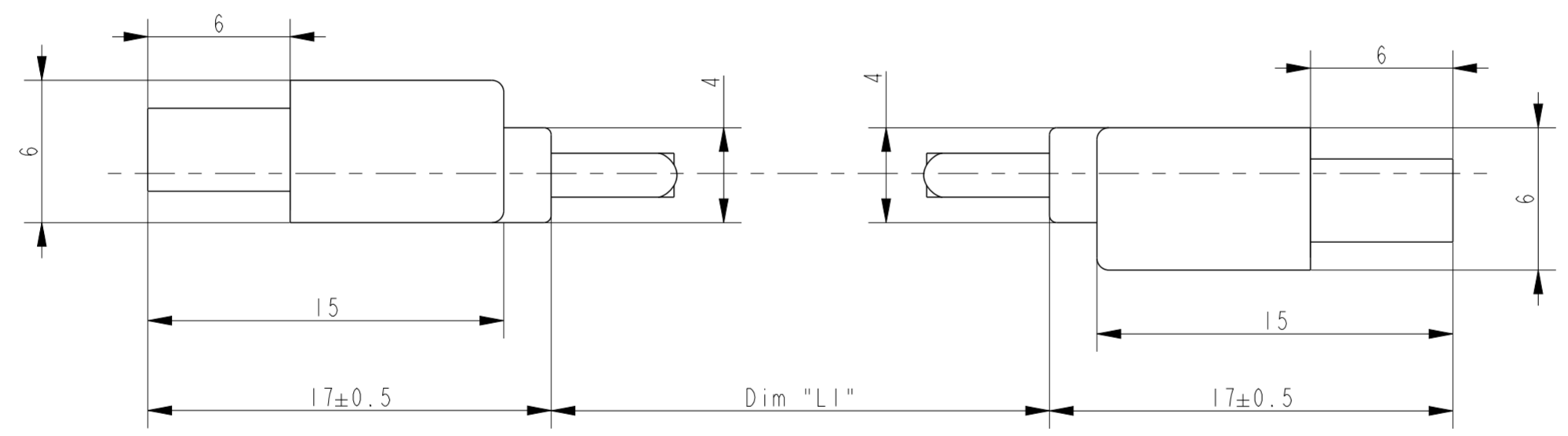
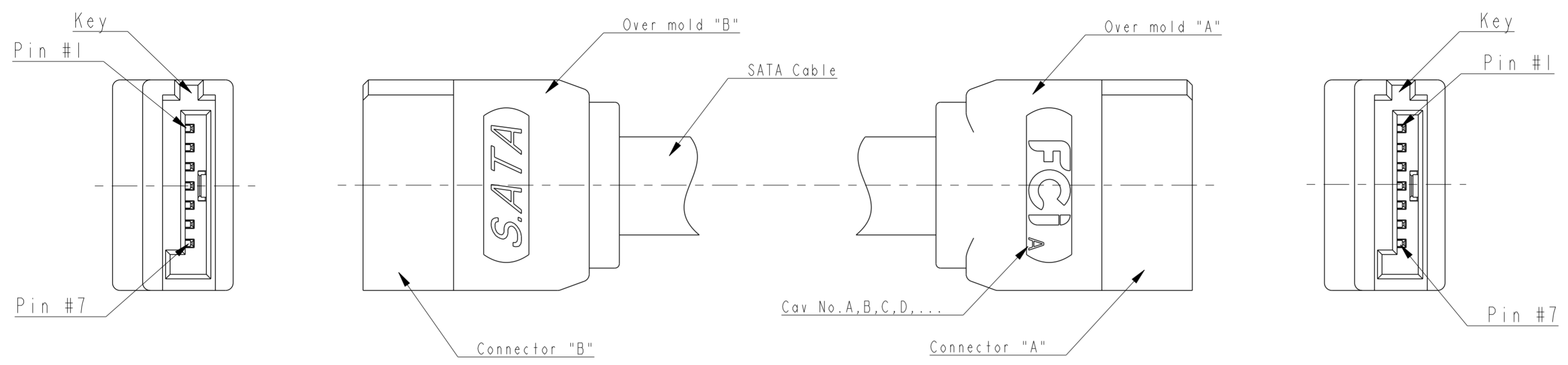
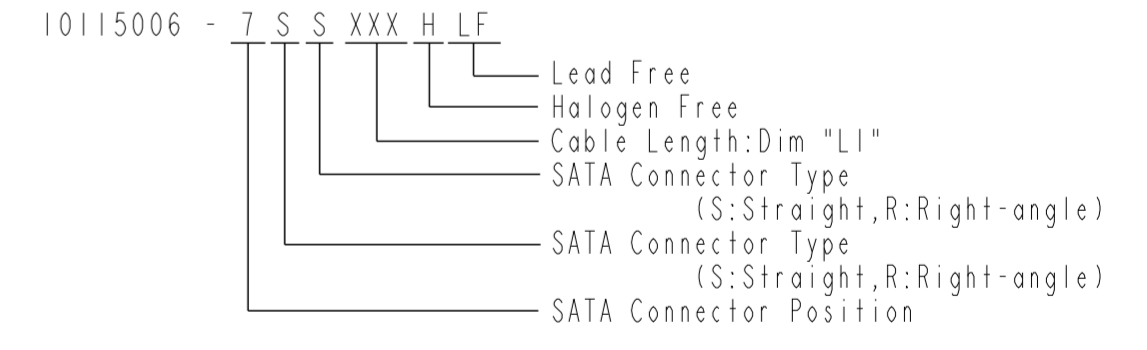


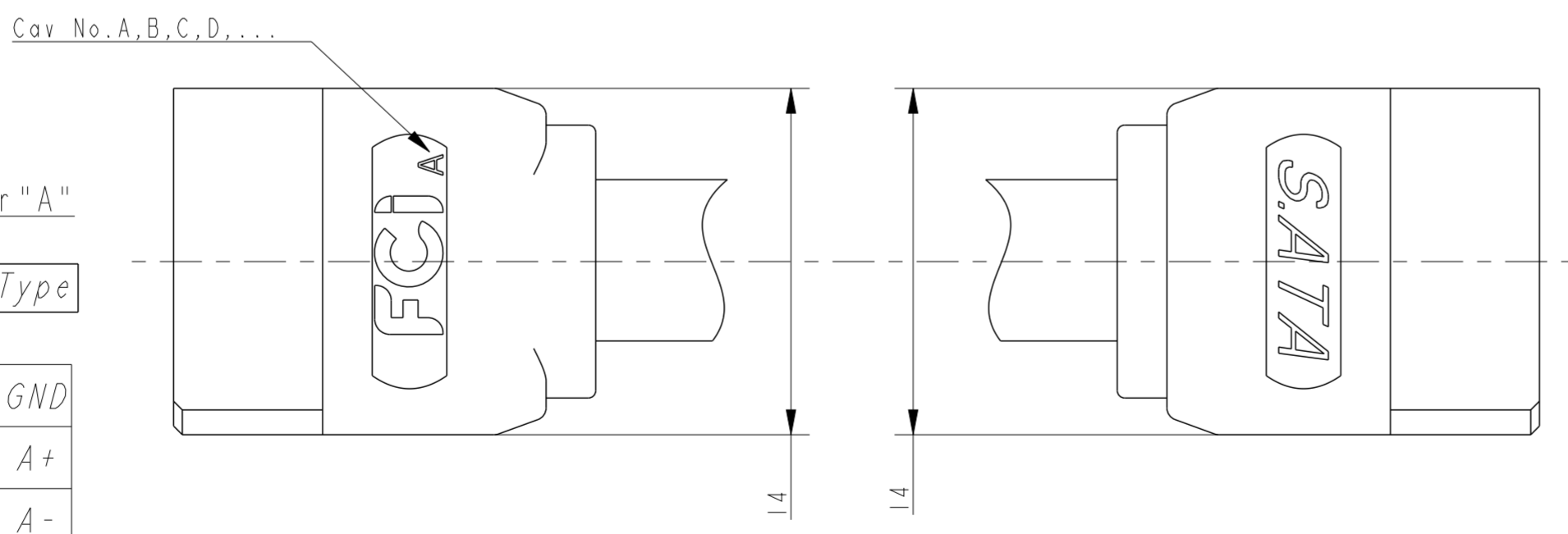
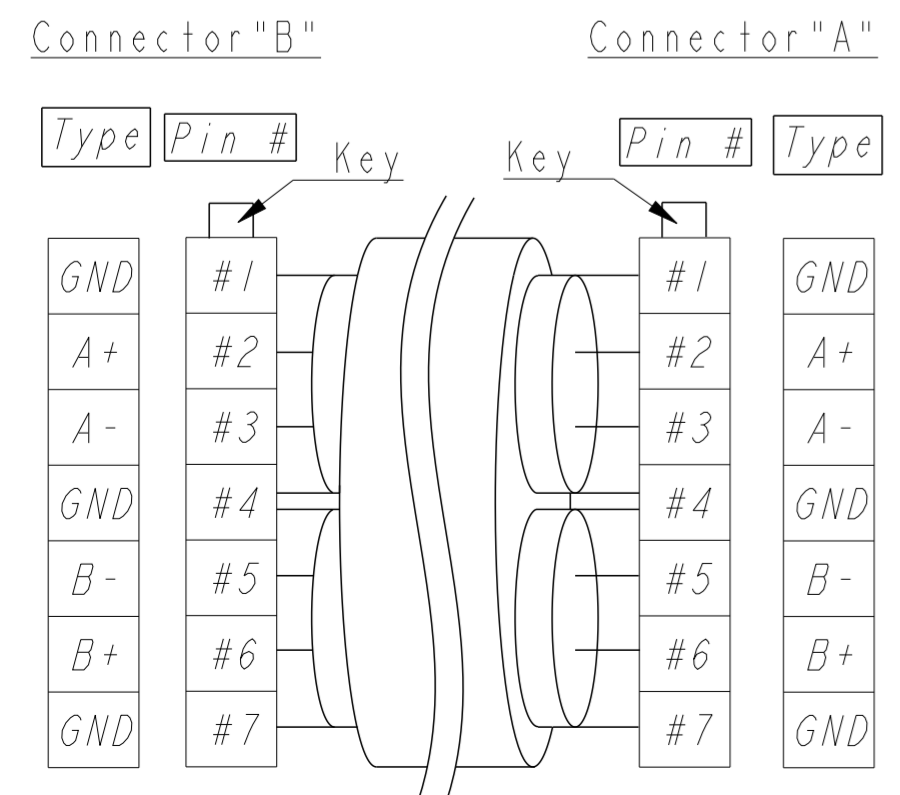
Product No.	Dim "L1"	Connector "A" and "B"	Over mold "A" and "B"	SATA Cable	Solder	Remarks
10115006-7SSXXHLF	XXX±10	SATA 7P Receptacle connector Straight type Housing,Back Cover: Heat resistant resin, Halogen Free, UL94V-0, Color Black Contact: Copper Alloy Contact Area:Gold plating over Ni plating	Heat resistant resin, Halogen Free, UL94V-0, Color Black	80°C 30V AWG30 Halogen Free,VW-1, with F mark, Color Black	Sn96.5-Ag3.0-Cu0.5 Lead Free	For Product No. composition, see NOTE 7.



NOTE)  
 1) This product is based on Serial ATA Revision 3.0.  
 2) This product is manufactured by soldering process.  
 3) About the Dim "L1" length, please inquire to sales person in our company.  
 4) Product SPEC:GS-12-672  
 5) Package SPEC:GS-14-1056  
 6) Application SPEC:GS-20-138  
 7) Product No. composition



Wiring Table:  
Pin Assignment



spec ref	dr	2011/09/30	projection	MM	size	A2	scale	4.000
tolerance std	eng	2015/05/11	TOLERANCES UNLESS OTHERWISE SPECIFIED	MM	ecn no	ELX-J-20855-1	rel level	Released
ISO 406	chr	-						
ISO 1101	appr	Naotaka Sasame	2015/05/12	product family				
surface	linear	0.X	±0.4	FCJ	SATA 7P Signal Cable Harness	10115006	rev	C
ISO 1302	0.XX	±0.4						
	0.XXX	±0.4						
angular	0°	±4°	www.fci.com	cat. no.	Product - Customer Drw	sheet 1 of 1		