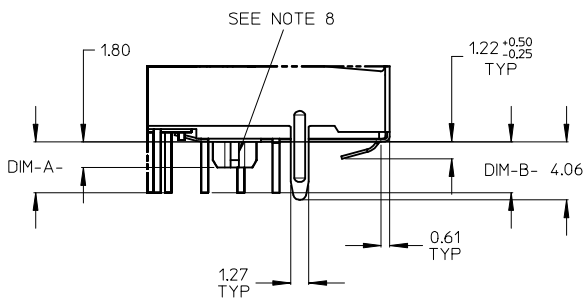
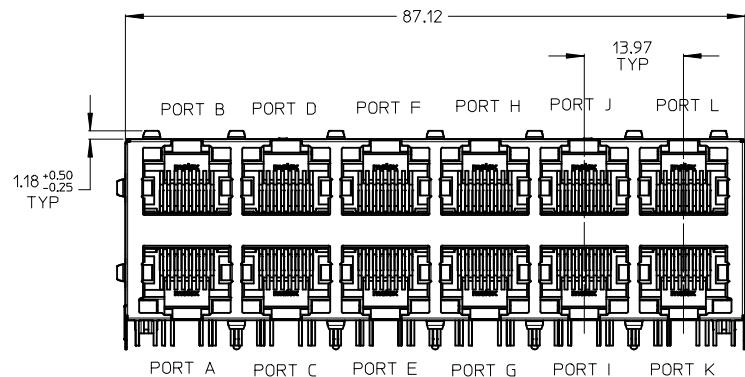
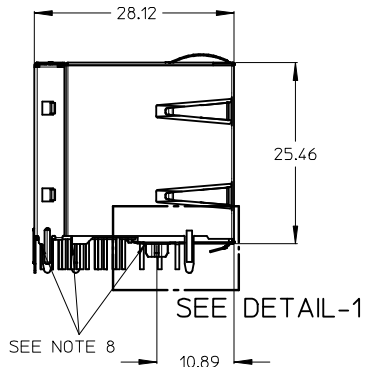
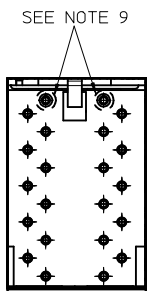


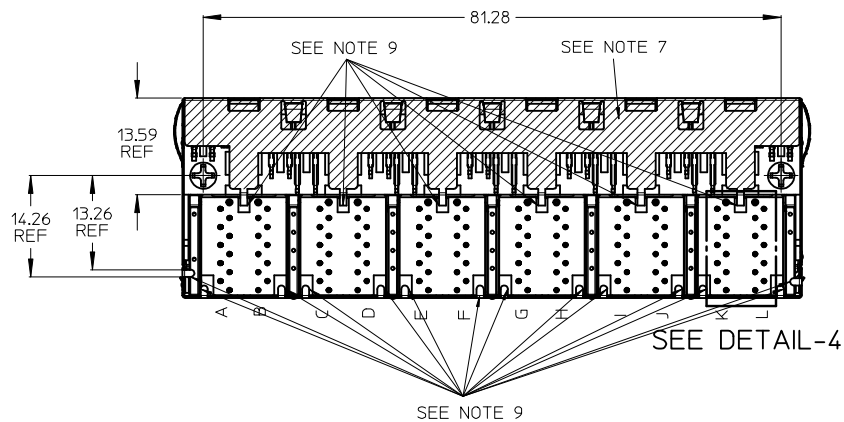
GIGABIT MAGNETIC JACK 2x6 LED



DETAIL-1
SCALE 4:1



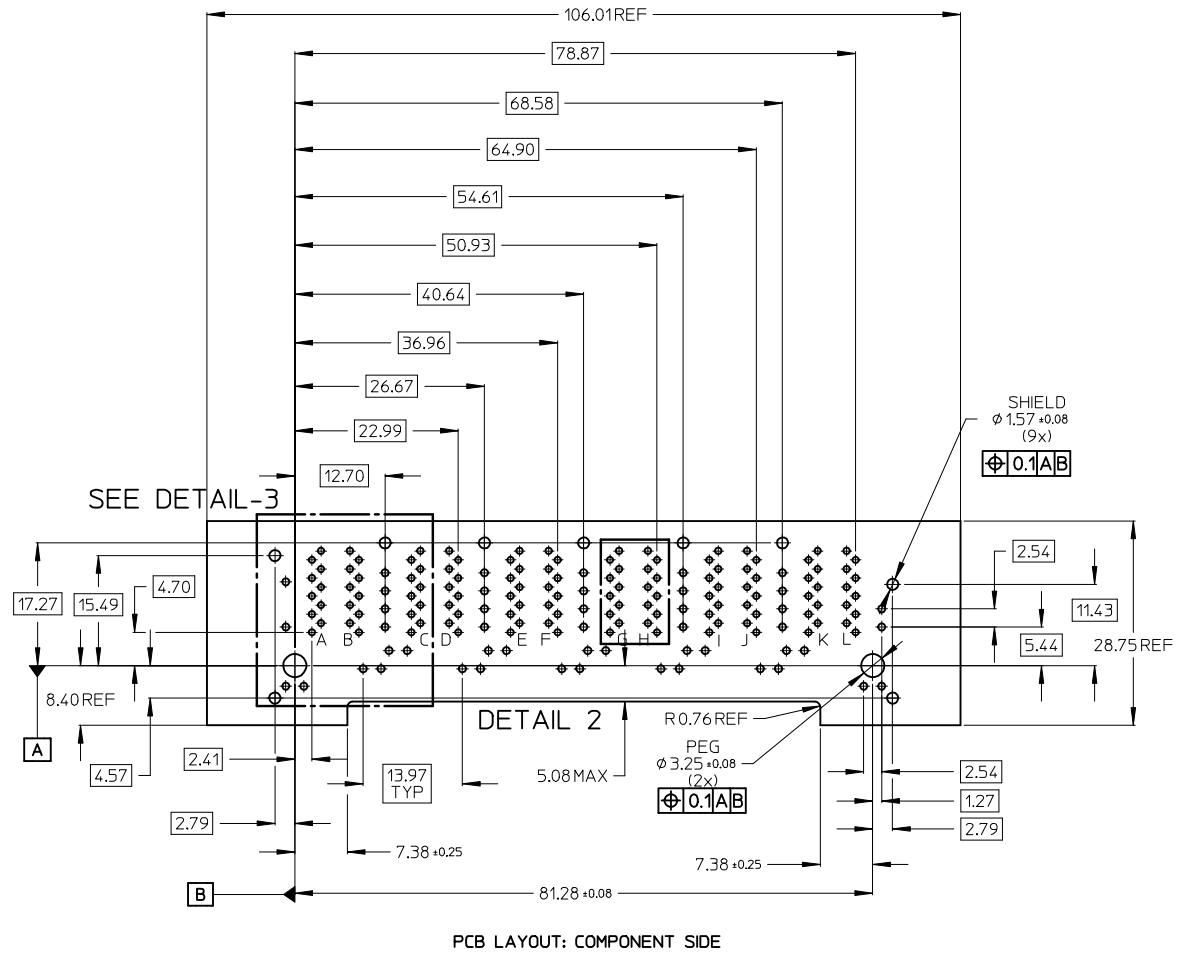
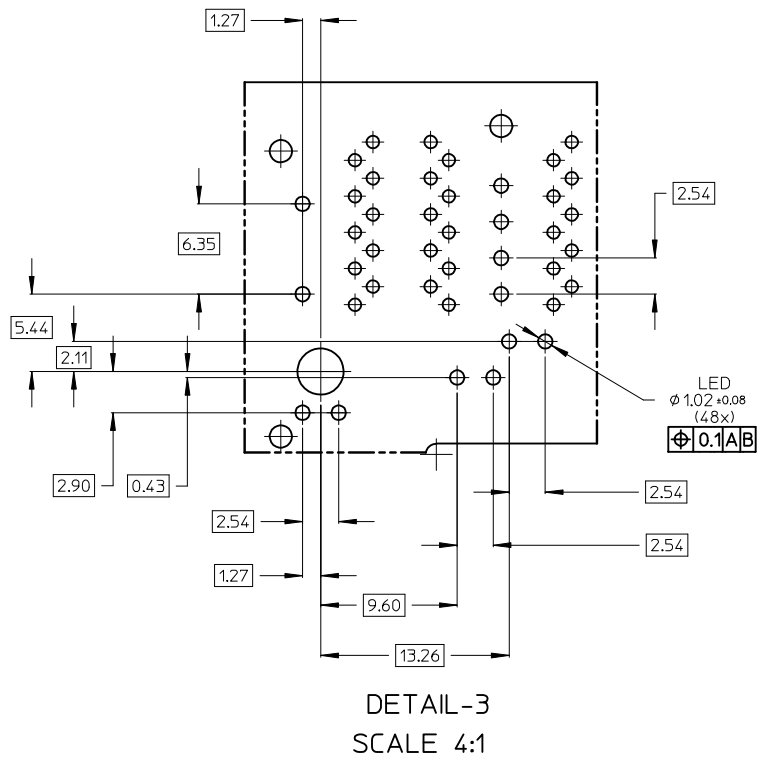
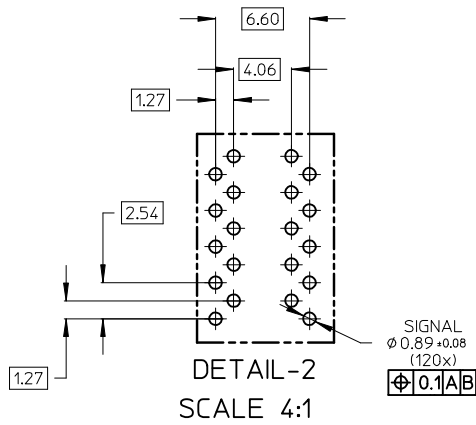
DETAIL-4
SCALE 4:1



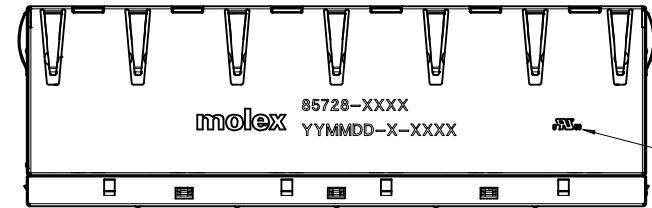
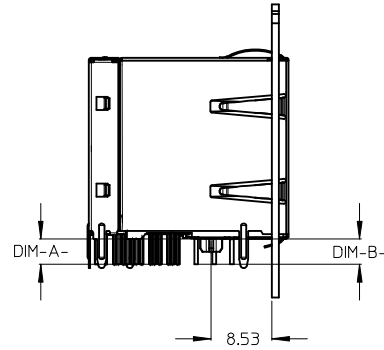
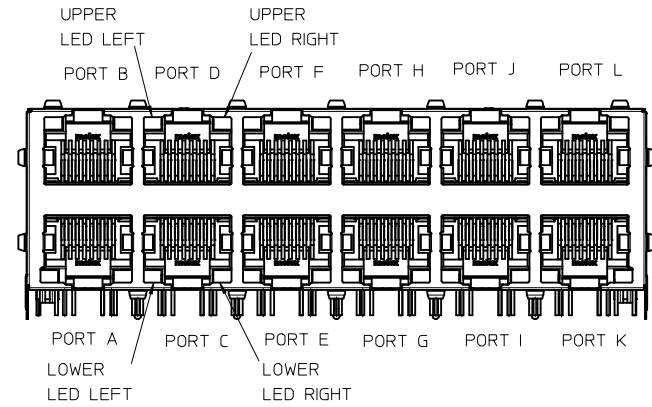
NOTES:

- 1 - SHIELD MATERIAL: BRASS, PLATING: NICKEL PRE-PLATING
- 2 - PLASTIC MATERIAL: POLYESTER (PBT), BLACK, UL 94V-0
- 3 - RJ45 TERMINALS MATERIAL: COPPER ALLOY
CONTACT AREA PLATING: 0.76 MICROMETER GOLD OVER 1.9 MICROMETER NICKEL
PHY TERMINALS: TIN PLATED
- 4 - MATING INTERFACE ACCORDING TO IEC 60603-7
- 5 - PRODUCT SPECIFICATION: PS-85728-001
- 6 - PACKAGING SPECIFICATION: PK-85728-001
- 7 - TRACES WITHOUT INSULATION NOT ALLOWED IN THE DASHED AREAS.
(TO AVOID SHORTS TO SHIELD)
- 8 - STAND OFF TO SYSTEM BOARD
- 9 - STUB PINS AND SHIELD LATCHES; AVOID TO ROUTE TRACES OR TO PLACE ANY
VIAS OR PADS BELOW THESE PINS
- 10 - FOR MAGNETIC AND LED INFORMATI SEE SPEC PS-85728-001

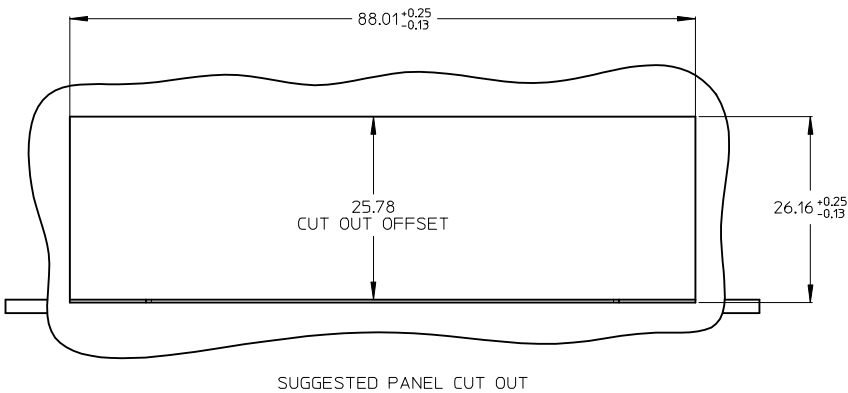
NO CHANGE IEC NO: 2015/10/05 DRWN: JBADER 2015/10/05 CHKD: MMANGARUDOV 2015/10/05 APPR: SSTE INKE 2016/04/21	QUALITY SYMBOLS	GENERAL TOLERANCES (UNLESS SPECIFIED)	DIMENSION STYLE MM ONLY	SCALE 2:1	DESIGN UNITS METRIC	THIRD ANGLE PROJECTION	
	$\nabla=0$ $\nabla=0$	mm INCH 4 PLACES ± --- ± --- 3 PLACES ± --- ± --- 2 PLACES ± 0.25 ± --- 1 PLACE ± 0.5 ± --- ANGULAR ± 1°	DRAWN BY: MMANGARUDOV DATE: 2010/03/19 CHECKED BY: JBADER DATE: 2010/03/22 APPROVED BY: SSTE INKE DATE: 2010/05/11	TITLE	GIGABIT MAGNETIC JACK 2X6 LED		
	DRAFT WHERE APPLICABLE MUST REMAIN WITHIN DIMENSIONS	SEE SHEET 3	MOLEX INCORPORATED DOCUMENT NO. SD-85728-001		SHEET NO. 1 OF 4		
		SIZE A2	THIS DRAWING CONTAINS INFORMATION THAT IS PROPRIETARY TO MOLEX INCORPORATED AND SHOULD NOT BE USED WITHOUT WRITTEN PERMISSION				



NO CHANGE EC NO: 2015/10/05 DRAWN: JBADER CHKD: MMANGARUDOV 2015/10/05 APPR: SSTE INKE 2016/04/21	DESCRIPTION	QUALITY SYMBOLS	GENERAL TOLERANCES (UNLESS SPECIFIED)	DIMENSION STYLE	SCALE	DESIGN UNITS	THIRD ANGLE PROJECTION	
		▽=0	mm INCH	MM ONLY	2:1	METRIC	⊕ □	
		▽=0	4 PLACES ± --- ± ---	DRAWN BY	DATE	TITLE	GIGABIT MAGNETIC JACK 2X6 LED	
			3 PLACES ± --- ± ---	MMANGARUDOV	2010/03/19			
		2 PLACES ± 0.25 ± ---	CHECKED BY	DATE				
		1 PLACE ± 0.5 ± ---	JBADER	2010/03/22				
		ANGULAR ± 1 °	APPROVED BY	DATE				
			SSTE INKE	2010/05/11				
		DRAFT WHERE APPLICABLE MUST REMAIN WITHIN DIMENSIONS	MATERIAL NO.	SEE SHEET 3	DOCUMENT NO.	MOLEX INCORPORATED		
			SIZE	A 2	SD-85728-001		SHEET NO. 2 OF 4	
THIS DRAWING CONTAINS INFORMATION THAT IS PROPRIETARY TO MOLEX INCORPORATED AND SHOULD NOT BE USED WITHOUT WRITTEN PERMISSION								



SEE NOTE 3



PART NUMBER	UPPER & LOWER LED LEFT		UPPER & LOWER LED RIGHT		DIMENSION -A- FOR SIGNAL PIN LENGTH	DIMENSION -B- FOR LED PIN LENGTH
	COLOUR 1	COLOUR 2	COLOUR 1	COLOUR 2		
85728-1001	GREEN		GREEN		3,56	3,56
85728-1002	GREEN	ORANGE	GREEN		3,56	3,56
85728-1003	GREEN		GREEN	YELLOW	3,56	3,56
85728-1004	GREEN	ORANGE	GREEN	ORANGE	3,56	3,56
85728-1006	GREEN		GREEN	ORANGE	3,56	3,56
85728-1008	GREEN	YELLOW	GREEN	YELLOW	3,56	3,56
85728-1012	YELLOW		YELLOW		3,56	3,56
85728-1013	YELLOW		YELLOW		3,56	3,56
85728-1014	YELLOW		GREEN		3,56	3,56
85728-1016	GREEN		GREEN	YELLOW	3,56	3,56

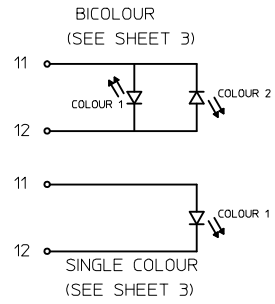
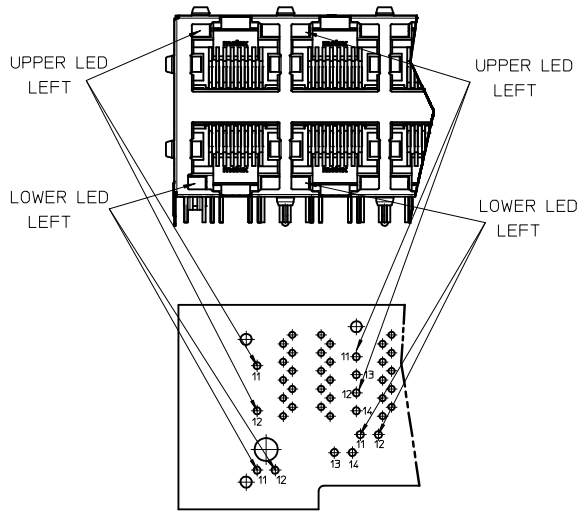
85728-3001	GREEN		GREEN		2,2	3,56
------------	-------	--	-------	--	-----	------

85728-4001	GREEN		GREEN		2,5	3,56
------------	-------	--	-------	--	-----	------

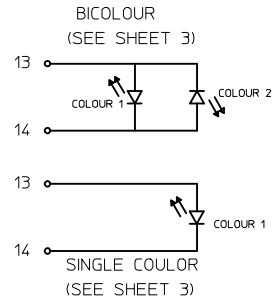
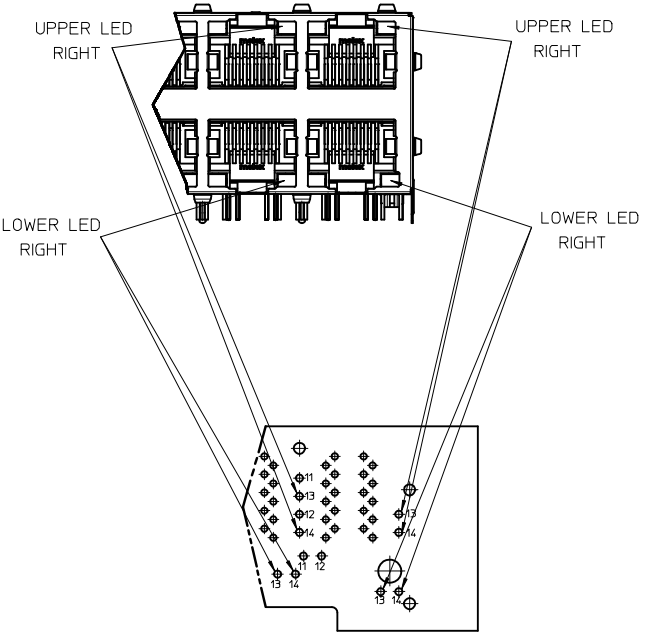
ADDITIONAL LED COLOURS AND CONFIGURATIONS
AVAILABLE ON REQUEST

- NOTES:
 1 - PRINTING MARKED BY LASER
 2 - INSCRIPTION:
 1st LINE: PART NUMBER
 2nd LINE: DATE CODE (YEAR,MONTH,DAY) - MANUFACTURER ID - COSECUTIVE NUMBER
 3 - UL LOGO

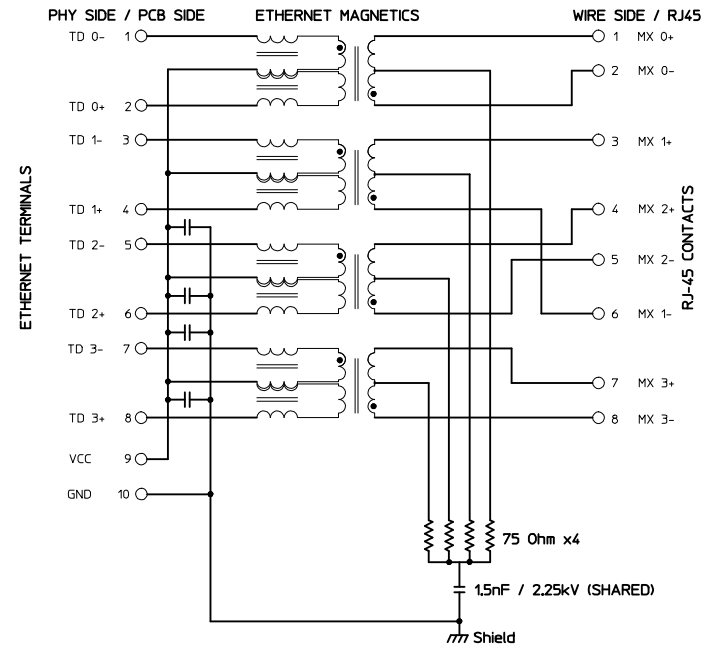
NEW P/N 85728-4001 EC NO: DRWN: JBADER 2015/10/05 CHKD: MMANGARUDOV 2015/10/05 APPR: SSTE INKE 2016/04/21	QUALITY SYMBOLS	GENERAL TOLERANCES (UNLESS SPECIFIED)	DIMENSION STYLE	SCALE	DESIGN UNITS	THIRD ANGLE PROJECTION
	▽=0	mm INCH	MM ONLY	2:1	METRIC	
	▽=0	4 PLACES ± --- ± --- 3 PLACES ± --- ± --- 2 PLACES ± 0.25 ± --- 1 PLACE ± 0.5 ± --- ANGULAR ± 1°	DRAWN BY DATE MMANGARUDOV 2010/03/19 CHECKED BY DATE JBADER 2010/03/22 APPROVED BY DATE SSTE INKE 2010/05/11	TITLE		
		DRAFT WHERE APPLICABLE MUST REMAIN WITHIN DIMENSIONS	MATERIAL NO.	GIGABIT MAGNETIC JACK 2X6 LED		
			SEE BOM		MOLEX INCORPORATED	
			SD-85728-001		SHEET NO. 3 OF 4	
			THIS DRAWING CONTAINS INFORMATION THAT IS PROPRIETARY TO MOLEX INCORPORATED AND SHOULD NOT BE USED WITHOUT WRITTEN PERMISSION			



UPPER & LOWER LEFT LED		
PIN POSITION	COLOUR 1	COLOUR 2
11	+	-
12	-	+



UPPER & LOWER RIGHT LED		
PIN POSITION	COLOUR 1	COLOUR 2
13	+	-
14	-	+



PIN#	ETHERNET SIGNAL
1	TD 0+
2	TD 0-
3	TD 1+
4	TD 1-
5	TD 2+
6	TD 2-
7	TD 3+
8	TD 3-
9	VCC
10	GND

SCHEMATIC UPDATED EC NO: 2015/10/05 DRWN: JBADER CHKD: MMANGARDOV 2015/10/05 APPR: SSTE INKE 2016/04/21	QUALITY SYMBOLS 	GENERAL TOLERANCES (UNLESS SPECIFIED) <table border="1"> <tr> <th></th> <th>mm</th> <th>INCH</th> </tr> <tr> <td>4 PLACES</td> <td>± 0.15</td> <td>± 0.006</td> </tr> <tr> <td>3 PLACES</td> <td>± 0.20</td> <td>± 0.008</td> </tr> <tr> <td>2 PLACES</td> <td>± 0.25</td> <td>± 0.010</td> </tr> <tr> <td>1 PLACE</td> <td>± 0.5</td> <td>± 0.020</td> </tr> </table> ANGULAR ± 1°		mm	INCH	4 PLACES	± 0.15	± 0.006	3 PLACES	± 0.20	± 0.008	2 PLACES	± 0.25	± 0.010	1 PLACE	± 0.5	± 0.020	DIMENSION STYLE MM ONLY	SCALE 2:1	DESIGN UNITS METRIC	THIRD ANGLE PROJECTION
		mm	INCH																		
	4 PLACES	± 0.15	± 0.006																		
	3 PLACES	± 0.20	± 0.008																		
2 PLACES	± 0.25	± 0.010																			
1 PLACE	± 0.5	± 0.020																			
DRAWN BY: MMANGARDOV DATE: 2010/03/19 CHECKED BY: JBADER DATE: 2010/03/22 APPROVED BY: SSTE INKE DATE: 2010/05/11	TITLE GIGABIT MAGNETIC JACK 2X6 LED			MATERIAL NO. SEE SHEET 3																	
DRAFT WHERE APPLICABLE MUST REMAIN WITHIN DIMENSIONS			MOLEX INCORPORATED			DOCUMENT NO. SD-85728-001															
SIZE A2			THIS DRAWING CONTAINS INFORMATION THAT IS PROPRIETARY TO MOLEX INCORPORATED AND SHOULD NOT BE USED WITHOUT WRITTEN PERMISSION			SHEET NO. 4 OF 4															