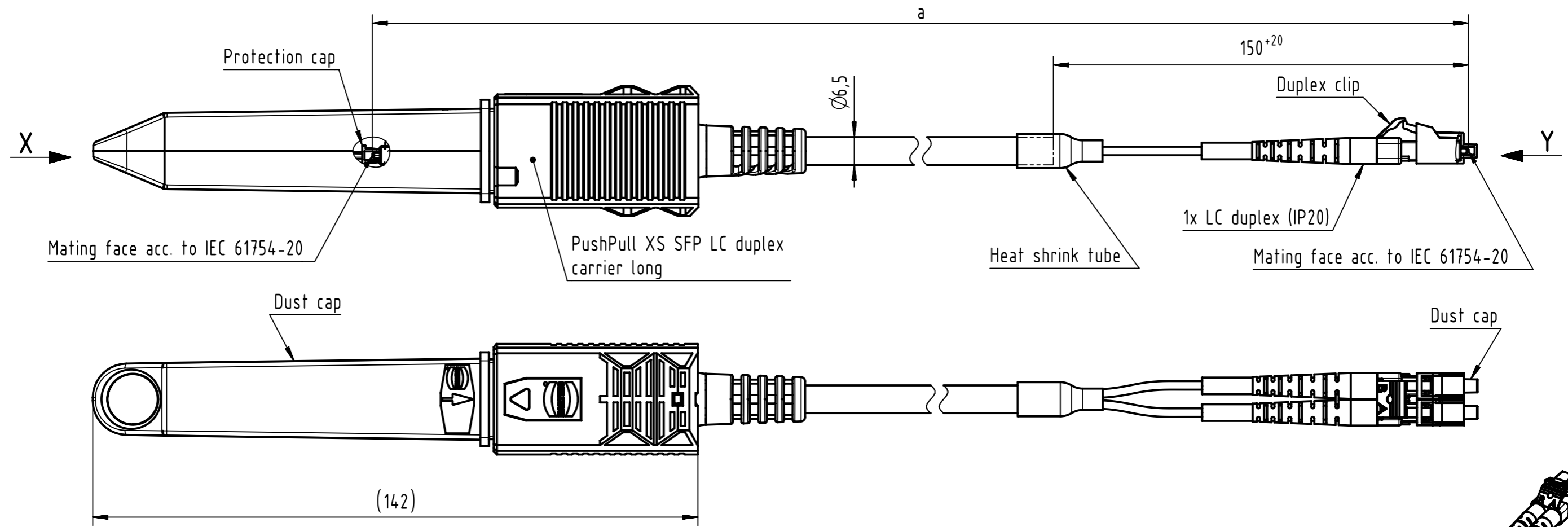


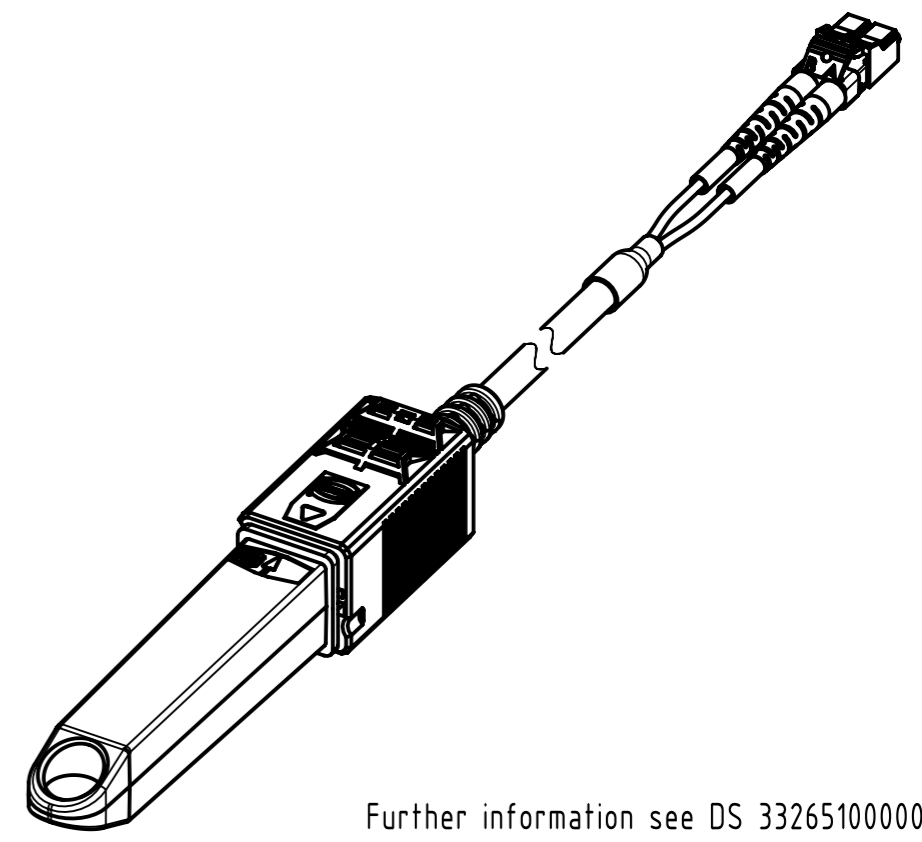
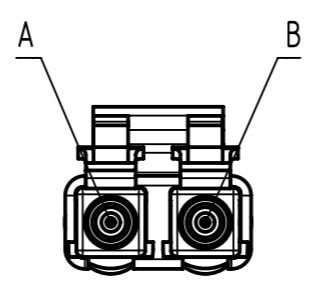
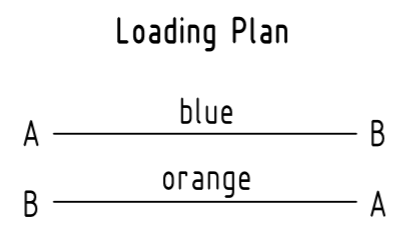
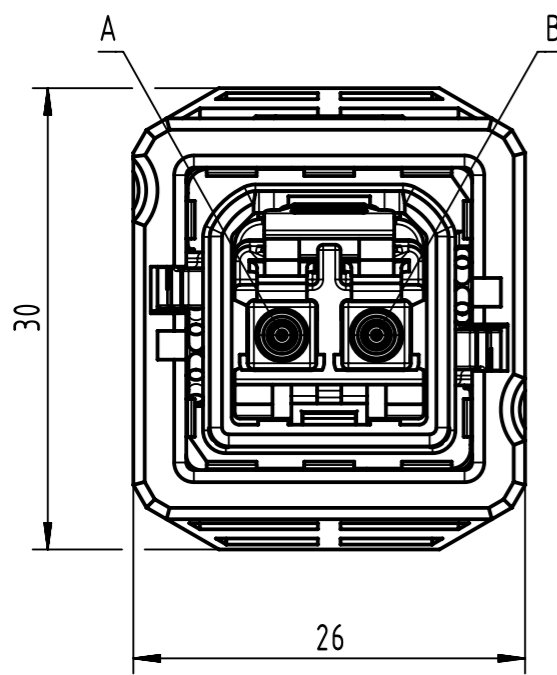
Connector Location A

Connector Location B



X male
(without dust cap and protection cap)


Y male
(without dust cap)



Further information see DS 33265100000

	All rights reserved	Created by 402676 Gross	Inspected by 402676 Gross	Standardisation COSTEA Costea	Date 2022-08-31	State Final Release
	Department HCS - RO	Title PP XS LCdx Lg - LCdx, MM Assy		Doc-Key / ECM-Nr. 100572207/UGD/034/G 50000219506		
HARTING Customised Solutions D-32339 Espelkamp		Type TB	Number 3326231XXX0013		Rev. G	Page 1/2

1	2	3	4	5	6	7	8
A							
B							
	28	33262311250013	FO Breakout Cable, MM, 50/125µm, PUR, black, bend tolerant OM3	125	±1%		
	27	33262311000013		100			
	26	33262310900013		90			
	25	33262310800013		80			
	24	33262310700013		70			
	23	33262310600013		60			
C	22	33262310500013		50			
	21	33262310450013		45			
	20	33262310400013		40			
	19	33262310350013		35			
	18	33262310300013		30			
	17	33262310250013		25			
	16	33262310200013		20			
D	15	33262310150013		15			
	14	33262310140013		14			
	13	33262310130013		13			
	12	33262310120013		12			
	11	33262310110013		11			
	10	33262310100013		10			
	9	33262310090013		9			
E	8	33262310080013		8			
	7	33262310070013		7			
	6	33262310060013		6			
	5	33262310050013		5			
	4	33262310040013		4			
	3	33262310030013		3			
	2	33262310020013		2	±0.03		
	1	33262310010013		1			
F	Cont. no.	Part no.	Type of cable	Dim. a[m]			

	All rights reserved Department HCS - RO	Created by 402676 Gross	Inspected by 402676 Gross	Standardisation COSTEA Costea	Date 2022-08-31	State Final Release	Doc-Key / ECM-Nr. 100572207/UGD/034/G 500000219506
HARTING Customised Solutions D-32339 Espelkamp		Title PP XS LCdx Lg - LCdx, MM Assy		Type TB	Number 3326231XXX0013	Rev. G	Page 2/2