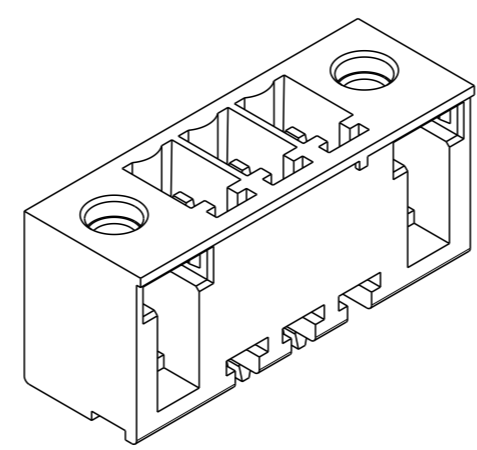
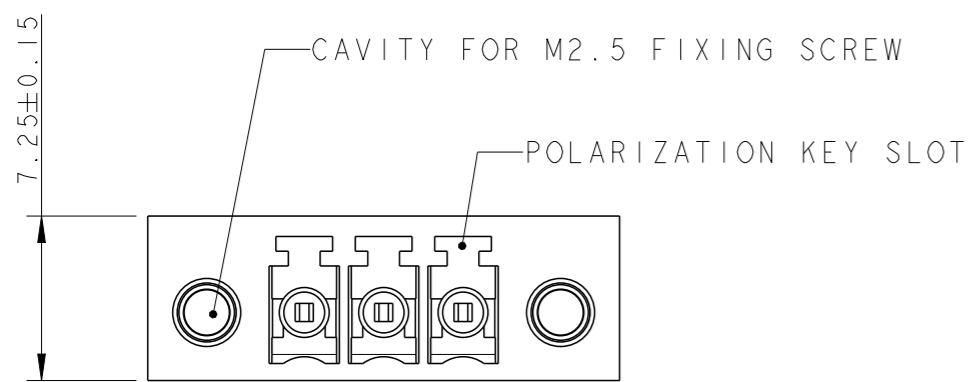
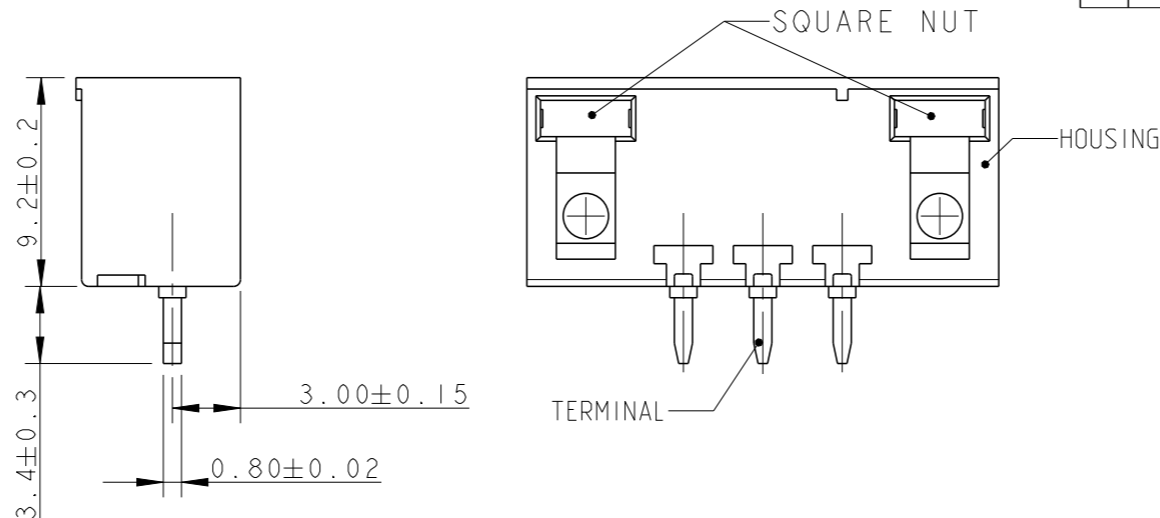
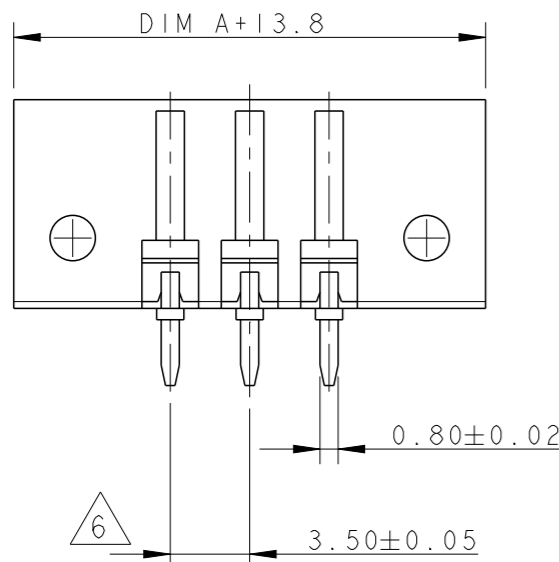


THIS DRAWING IS UNPUBLISHED. RELEASED FOR PUBLICATION 20
 © COPYRIGHT 20 BY - ALL RIGHTS RESERVED.

REVISIONS

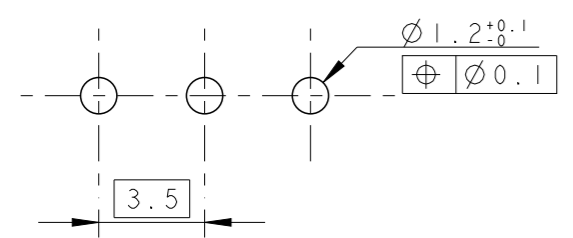
| P | LTR | DESCRIPTION | DATE | DWN | APVD |
|---|-----|-----------------------------------|-----------|-----|------|
| | B2 | SQUARE NUT PART INFORMATION ADDED | 11MAY2018 | RK | PS |
| | | | | | |
| | | | | | |




284516-3 AS SHOWN

| | | | |
|----------|-----------|-------------|-----------------------|
| OBSOLETE | 77.0 | 23 | 2-284516-3 |
| | 73.5 | 22 | 2-284516-2 |
| | 70.0 | 21 | 2-284516-1 |
| | 66.5 | 20 | 2-284516-0 |
| | 63.0 | 19 | 1-284516-9 |
| OBSOLETE | 59.5 | 18 | 1-284516-8 |
| | 56.0 | 17 | 1-284516-7 |
| | 52.5 | 16 | 1-284516-6 |
| | 49.0 | 15 | 1-284516-5 |
| | 45.5 | 14 | 1-284516-4 |
| | 42.0 | 13 | 1-284516-3 |
| | 38.5 | 12 | 1-284516-2 |
| | 35.0 | 11 | 1-284516-1 |
| | 31.5 | 10 | 1-284516-0 |
| | 28.0 | 9 | 284516-9 |
| | 24.5 | 8 | 284516-8 |
| | 21.0 | 7 | 284516-7 |
| 17.5 | 6 | 284516-6 | |
| 14.0 | 5 | 284516-5 | |
| 10.5 | 4 | 284516-4 | |
| 7.0 | 3 | 284516-3 | |
| 3.5 | 2 | 284516-2 | |
| DIM A | NO OF POS | PART NUMBER | |

RECOMMENDED PC BOARD LAYOUT



| | | | |
|----------------------------------------|----------------------------------------------------------------------------------------------------------------------|--------------------------------|-------------------------------------------------------------------------------------------------------|
| THIS DRAWING IS A CONTROLLED DOCUMENT. | | DWN 06FEB2002 EZ |  TE Connectivity |
| DIMENSIONS: mm | TOLERANCES UNLESS OTHERWISE SPECIFIED: 0 PLC ±- 1 PLC ±0.3 2 PLC ±0.25 3 PLC ±- 4 PLC ±- ANGLES ±2 | CHK 06FEB2002 E. ZANOLINI | |
| | | APVD 06FEB2002 D. BIEVENOUR | |
| MATERIAL SEE NOTES | | FINISH SEE NOTES | |
| WEIGHT - | | CUSTOMER DRAWING | SIZE A3 CAGE CODE 00779 DRAWING NO C-284516 RESTRICTED TO - |
| SCALE 3:1 | | SHEET 1 OF 2 | REV B2 |

THIS DRAWING IS UNPUBLISHED.

RELEASED FOR PUBLICATION

20

© COPYRIGHT 20

BY -

ALL RIGHTS RESERVED.


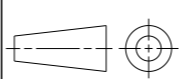
REVISIONS

| P | LTR | DESCRIPTION | DATE | DWN | APVD |
|---|-----|-------------|------|-----|------|
| | - | SEE SHEET 1 | - | - | - |
| | | | | | |
| | | | | | |
| | | | | | |

NOTES:

- MATERIALS AND FINISH
HOUSING : PA 6.6, UL 94-V0, COLOR GREEN
TERMINAL : PHOSPHOR BRONZE, TIN PLATED
SQUARE NUT : BRASS, NICKEL PLATED.
- MECHANICAL
MAX. INSERTION FORCE PER POLE : 3.0 N
MIN. WITHDRAWAL FORCE PER POLE : 1.5 N
MIN. PC BOARD HOLES DIAMETER : 1.2 mm
MAX. PC BOARD THICKNESS : 2.4 mm
- ELECTRICAL
WIRE RANGE : 14-30 AWG
MAX. VOLTAGE : 300 V
MAX CURRENT : 11 A
CONTACT RESISTANCE : <15 m Ohm
INSULATION RESISTANCE : >1000 M Ohm (500V DC)
- OPERATING TEMPERATURE RANGE: -40°C TO +110°C
- CONNECTOR ASSEMBLY INCLUDED 2 SQUARE NUTS
LOADED IN CAVITY

 NOT CUMULATIVE TOLERANCE

| | | | | | |
|---------------------------------------------------------------------------------------|---------------------|----------------------|-----------|-------------------------------------------------------------------------------------------------------|-----------|
| THIS DRAWING IS A CONTROLLED DOCUMENT. | | DWN EZ | 06FEB2002 |  TE Connectivity | |
| DIMENSIONS: mm | | CHK E. ZANOLINI | 06FEB2002 | | |
|  | | APVD D. BIEVENOUR | 06FEB2002 | NAME TERMINAL BLOCK, HEADER ASSEMBLY STRAIGHT, 3.5mm PITCH WITH THREADED FLANGE | |
| TOLERANCES UNLESS OTHERWISE SPECIFIED: | | PRODUCT SPEC | | RESTRICTED TO | |
| 0 PLC ±- | | APPLICATION SPEC | | SIZE | CAGE CODE |
| 1 PLC ±0.3 | | WEIGHT | - | A300779 | C=284516 |
| 2 PLC ±0.25 | | CUSTOMER DRAWING | | SCALE | SHEET |
| 3 PLC ±- | | | | 3:1 | 2 OF 2 |
| 4 PLC ±- | | | | REV | B2 |
| ANGLES ±2 | | | | | |
| MATERIAL SEE NOTES | FINISH SEE NOTES | | | | |