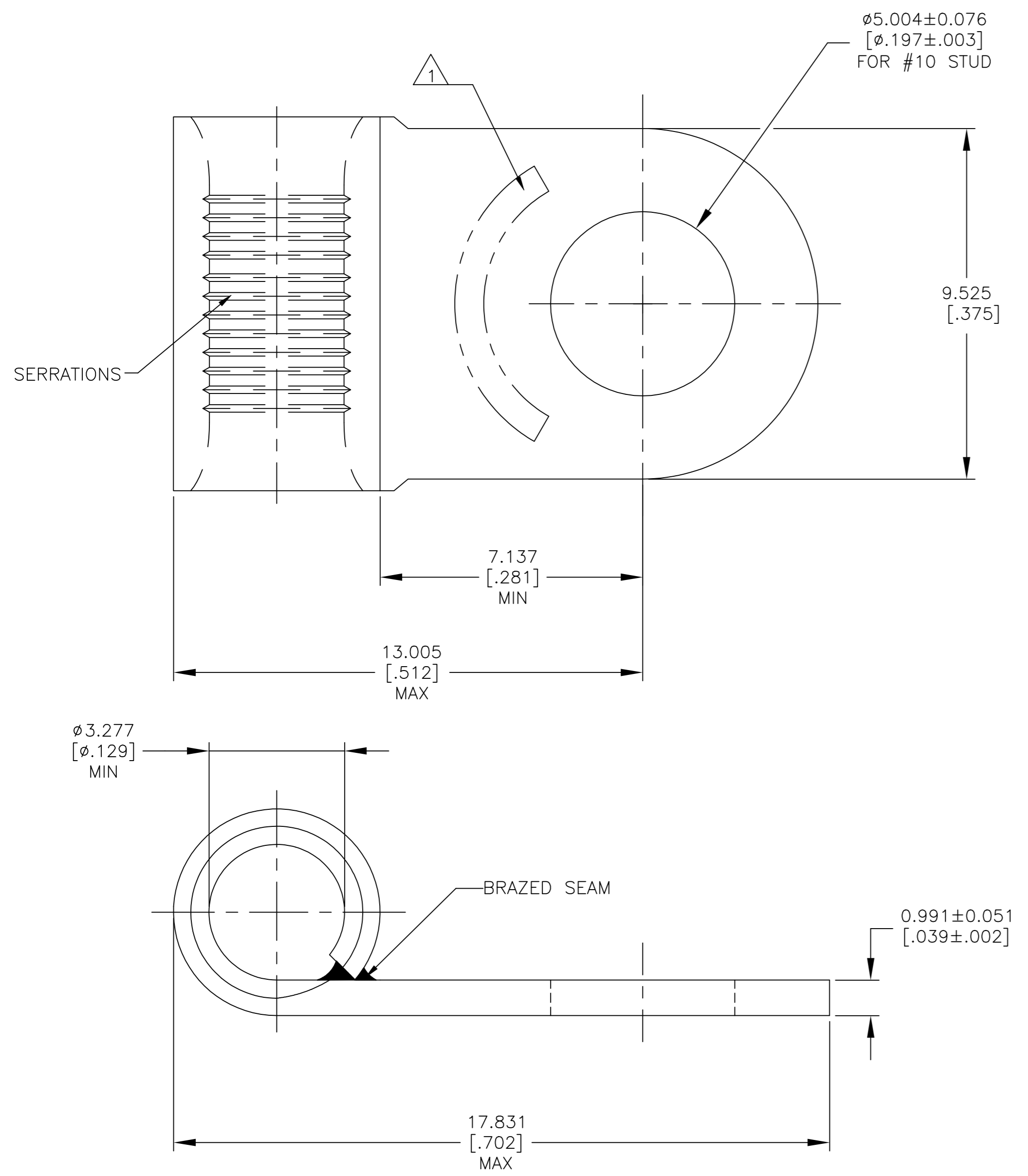


THIS DRAWING IS UNPUBLISHED. RELEASED FOR PUBLICATION
 © COPYRIGHT - By - ALL RIGHTS RESERVED.

REVISIONS					
P	LTR	DESCRIPTION	DATE	DWN	APVD
E1		REVISED PER ECR-17-000526	01FEB2017	BDA	DR
E2		REVISED PER ECO-17-008808	09FEB2018	RS	DR



AMP WIRE RANGE	E13288 Listed
12-10 AWG SOLID OR STRANDED	12-10 AWG STRANDED
LR7189 Certified	MILITARY P/N AND CLASS
12-10 AWG SOLID OR STRANDED	NOT APPLICABLE

- 1 STAMP AMP 12-10* APPROX AS SHOWN
- 2 COPPER PER ASTM B152 ANNEALED
- 3 TIN PLATE 0.00254[.000100] MIN
EXT. THK. PER ASTM B545

500	LOOSE PIECE	36271
QTY.	PACKAGE TYPE	PART NUMBER

AMP INCORPORATED CUSTOMER SERVICE SYSTEMS			THIS DRAWING IS A CONTROLLED DOCUMENT.		DWN TA BRINKMAN 4-5-93		TE Connectivity Ltd.	
FOR ADDITIONAL PRODUCT INFORMATION OR COPIES OF DRAWINGS AND TECHNICAL DOCUMENTS	PRODUCT INFORMATION CENTER 1-800-522-6752	MAX RECOMMENDED OPERATING TEMPERATURE: 170°C [338°F] MAX	DIMENSIONS: mm [INCHES]	TOLERANCES UNLESS OTHERWISE SPECIFIED:	CHK DA PATTERSON 4-5-93	APVD DE MILLER 4-5-93	NAME TERMINAL, RING TONGUE, FLAG, SOLISTRAND™ 12-10 AWG	
FOR APPLICATION	TOOLING ASSISTANCE CENTER 1-800-722-1111	VOLTAGE RATING: NOT APPLICABLE		0 PLC ± - 1 PLC ± - 2 PLC ± - 3 PLC ± 0.127[.005] 4 PLC ± -	PRODUCT SPEC UL 486 A-B	APPLICATION SPEC	SIZE A2	CAGE CODE 00779
TOOLING INFORMATION	1-800-722-1111	WIRE CROSS SECTIONAL AREA RANGE, 2.62-6.64mm²[5,180-13,100] CIR MILS SOLID OR STRANDED	MATERIAL 2	FINISH 3	WEIGHT -	DRAWING NO C=36271	DRAWING NO C=36271	RESTRICTED TO -
FOR ORDER ENTRY	1-800-526-5142				CUSTOMER DRAWING	SCALE 10:1	SHEET 1 of 1	REV E2

36271