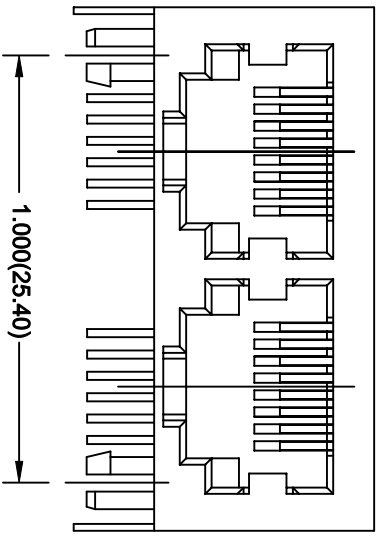
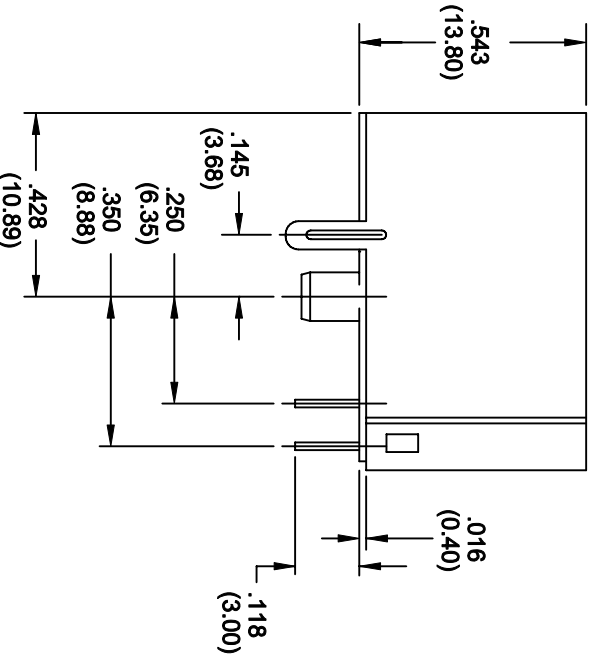


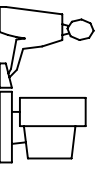
1.225(31.12)



.837
(21.27)



THIS IS A C.A.D. GENERATED DRAWING
DO NOT MAKE MANUAL REVISIONS TO MASTER.



ISSUE NUMBER	ORIGINAL
①	.067 DIA HOLE WAS .032
③	F.BRIONES JUL. 27/06
④	CONTACT IDENTIFICATION ADDED F.BRIONES FEB. 19/07

NOTES

MATERIAL AND FINISH:

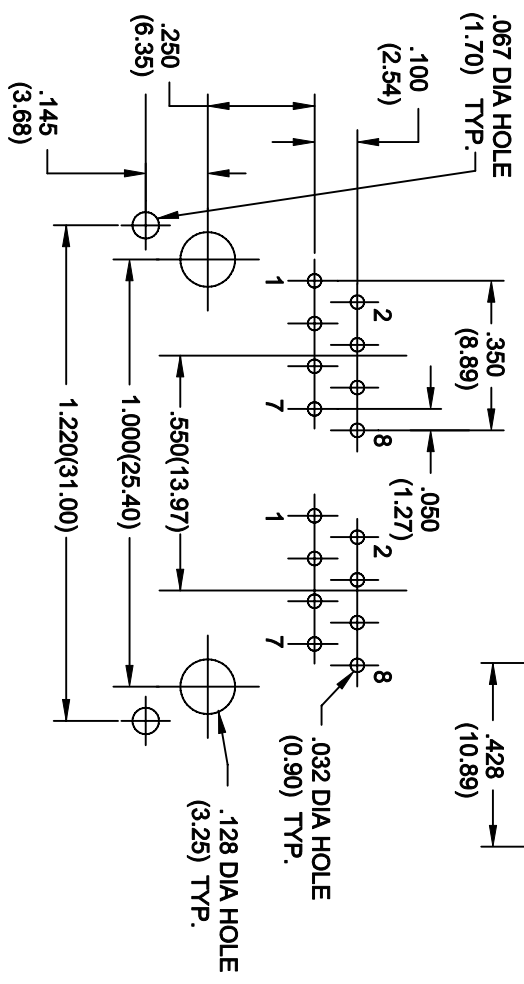
BODY: HOUSING: PBT POLYESTER
UL94V-0 RATED, MIXED GLASS FIBER.
STANDARD COLOR: BLACK

CONTACTS: PHOSPHOR BRONZE(0.45mm DIA.)
PLATED AS PER PART NO. TABLE

SHIELD: 0.23mm THICK COPPER ALLOY
PLATED NICKEL

CAVITY CONFORMS TO FCC RULES AND
REGULATIONS PART 68, SUBPART F

- AOO-216-262-450 GOLD FLASH
- AOO-216-362-450 15 MICRONS OF GOLD
- AOO-216-662-450 30 MICRONS OF GOLD
- AOO-216-962-450 50 MICRONS OF GOLD



PC BOARD LAYOUT



THIS SERIES FULLY CONFORMS TO THE
EUROPEAN UNION DIRECTIVES 2002/95/EC
AND 2002/96/EC FOR ROHS COMPLIANCY.

DUAL 8P FULL SHIELDED JACK (GROUND AT FRONT)

EDAC INC
TORONTO, ONTARIO
CANADA
YOUR CONNECTION TO QUALITY & SERVICE

ACAD REF. DRAWING:	A00-216-262-450
DRAWN: F.BRIONES	DATE: SEP.17/01
CHECKED:	DATE:
SCALE: 1:1	SHEET 1 OF 1
DRAWING NUMBER	A00-216-262-450
	ISSUE 4