

MATERIAL NO.	ENGINEERING NO.	FINISHED LENGTH
1300130417	1R5000A20A120	12 IN (0.31 M)
1300130421	1R5000A20F030	3 FT (0.91 M)
1300130423	1R5000A20F060	6 FT (1.83 M)
1300130426	1R5000A20M020	2 M (6 FT 6.74 IN)

CABLE LENGTH TOLERANCES

<.3M [1FT]: +19mm-0 [+.75in-0]

.3 - .9M [1 - 3FT]: +44.5mm-0 [+1.75in-0]

.9 - 1.8M [3 - 6FT]: +55.6mm-0 [+2.19in-0]

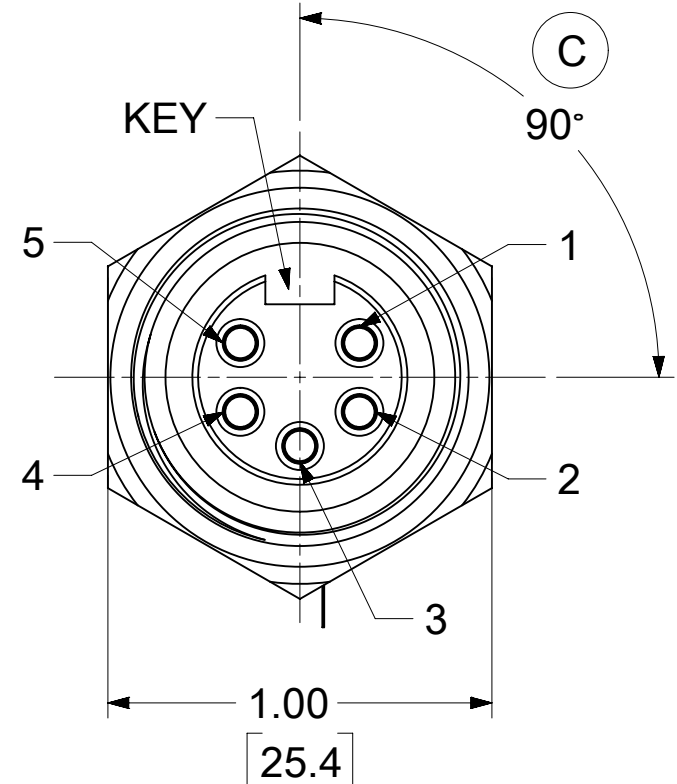
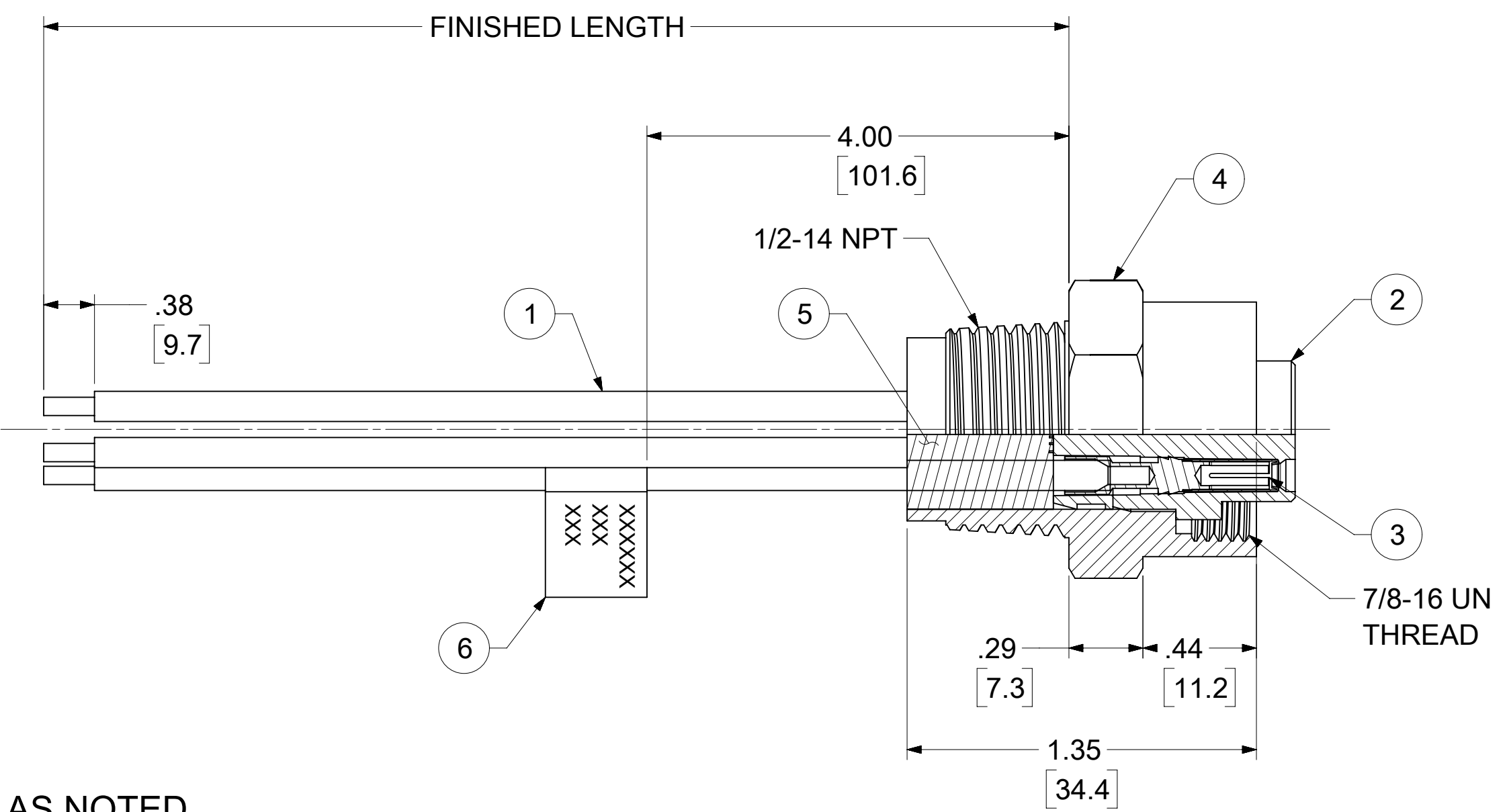
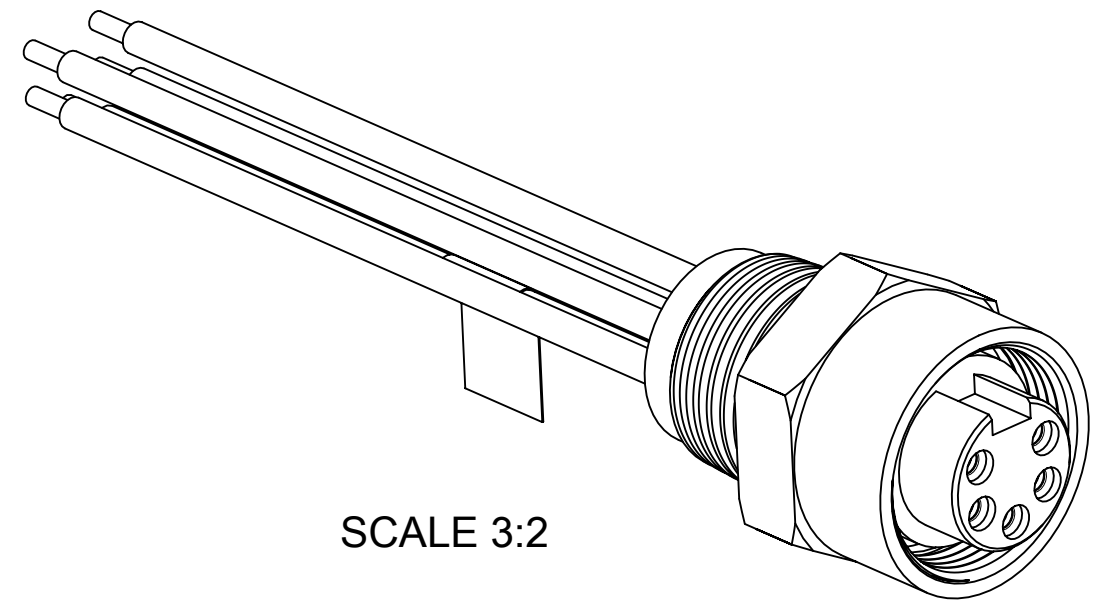
1.8 - 3.7M [6 - 12FT]: +88.9mm-0 [+3.50in-0]

3.7 - 7.3M [12 - 24FT]: +165.1mm-0 [+6.50in-0]

7.3-14.6M [24 - 48FT]: +317.5mm-0 [+12.50in-0]

14.6 - 30.5M [48-100FT]: +622.3mm-0 [+24.50in-0]

OVER 30M [100FT] +2% OF FINISHED LENGTH



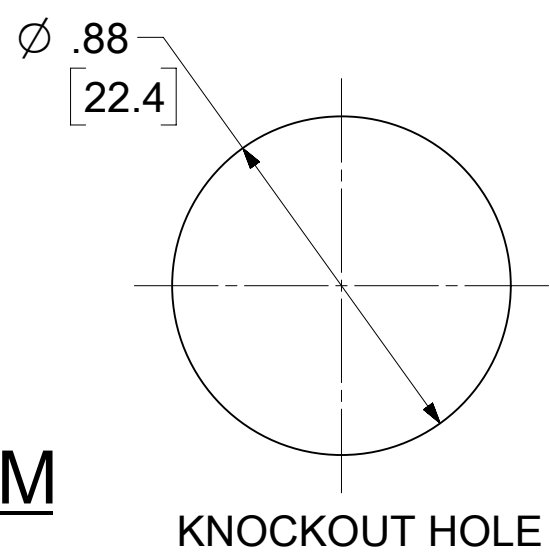
FEMALE FACE VIEW

PART NUMBER LEGEND

1R5000A20A120

FINISHED LENGTH
A120= 12 INCHES
F001= .1 FT
F020= 2 FT
F200= 20 FT
M001 = .1 METER
M010 = 1 METER
M100 = 10 METER

- NOTES:**
- MATERIAL: AS NOTED
 - FINISH: AS NOTED
 - ELECTRICAL:
VOLTAGE: 400V PER IEC60664
600V PER UL2238
CURRENT: 8A
 - TEMP RATING: -20°C TO +105°C
 - PROTECTION: IP67 (WHEN MATED)
 - CSA CERTIFIED FILE: LR6837
UL RECOGNIZED FILE: E152210
 - ALL DIMS ARE FOR REFERENCE UNLESS TOLERANCED OR NOTED OTHERWISE



WIRING DIAGRAM

WHITE	1
RED	2
GREEN/YELLOW	3
ORANGE	4
BLACK	5

ITEM	DESCRIPTION	MATERIAL	FINISH
6	FLAG LABEL	VINYL	BLACK/YELLOW
5	POTTING MATERIAL	EPOXY	
4	RECEPTACLE SHELL	ZINC DIE CAST	NICKEL PLATED
3	SOCKET CONTACT	Cu ALLOY	GOLD OVER NICKEL
2	INSERT	TPE	YELLOW
1	WIRE, 16 AWG, UL1015	PVC	SEE WIRING DIAGRAM
ITEM	DESCRIPTION	MATERIAL	FINISH

FUNCTIONAL SYMBOLS		THIS DRAWING CONTAINS INFORMATION THAT IS PROPRIETARY TO MOLEX ELECTRONIC TECHNOLOGIES, LLC AND SHOULD NOT BE USED WITHOUT WRITTEN PERMISSION		CURRENT REV DESC: ITEM #2 WERE PVC, UPDATED MATERIAL P/N TABLE. ADDED CSA, UL, IEC VOLT, TEMP RATING, IP RATING, TOL. CHART, 90° KEY ORIENTATION DIM. AND PART NUMBER LEGEND	
FA = 0	DIMENSION UNITS	SCALE	EC NO: 701162		
EA = 0	mm	2:1	DRWN: AKABADI 2021/11/11		
EP = 0	GENERAL TOLERANCES (UNLESS SPECIFIED)		CHK'D: RSTONE 2022/03/30		
ANGULAR TOL ± °		APPR: BWOODMAN 2022/04/08			
DIVISIONAL SYMBOLS		INITIAL REVISION:		PRODUCT CUSTOMER DRAWING	
4 PLACES ±		DRWN: RSTONE 2009/08/26		DOCUMENT NUMBER	
3 PLACES ±		APPR: JFMURPHY 2009/08/27		SD-130013-087	
2 PLACES ±		DRAFT WHERE APPLICABLE MUST REMAIN WITHIN DIMENSIONS		DOC TYPE DOC PART REVISION	
1 PLACE ±		THIRD ANGLE PROJECTION		PSD 001 C	
0 PLACES ±		DRAWING SERIES		MATERIAL NUMBER CUSTOMER SHEET NUMBER	
		C-SIZE 130013		SEE TABLE GENERAL MARKET 1 OF 1	