

THIS DRAWING IS UNPUBLISHED.

RELEASED FOR PUBLICATION

20

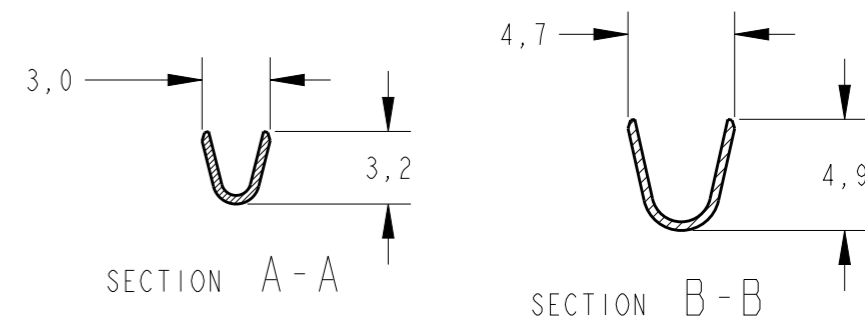
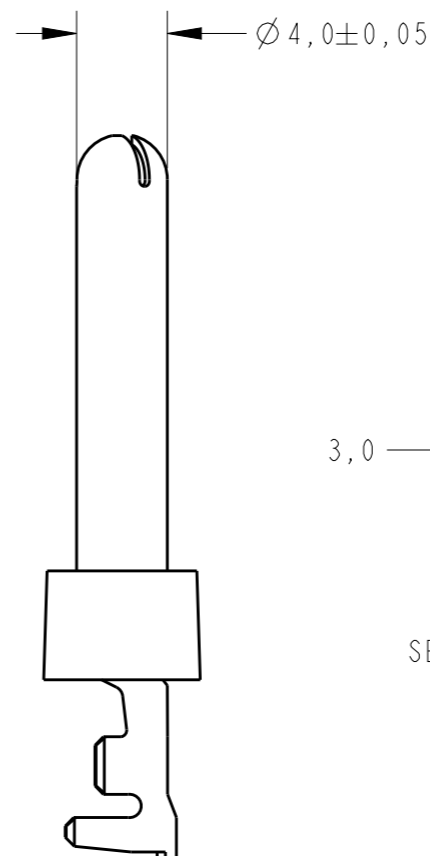
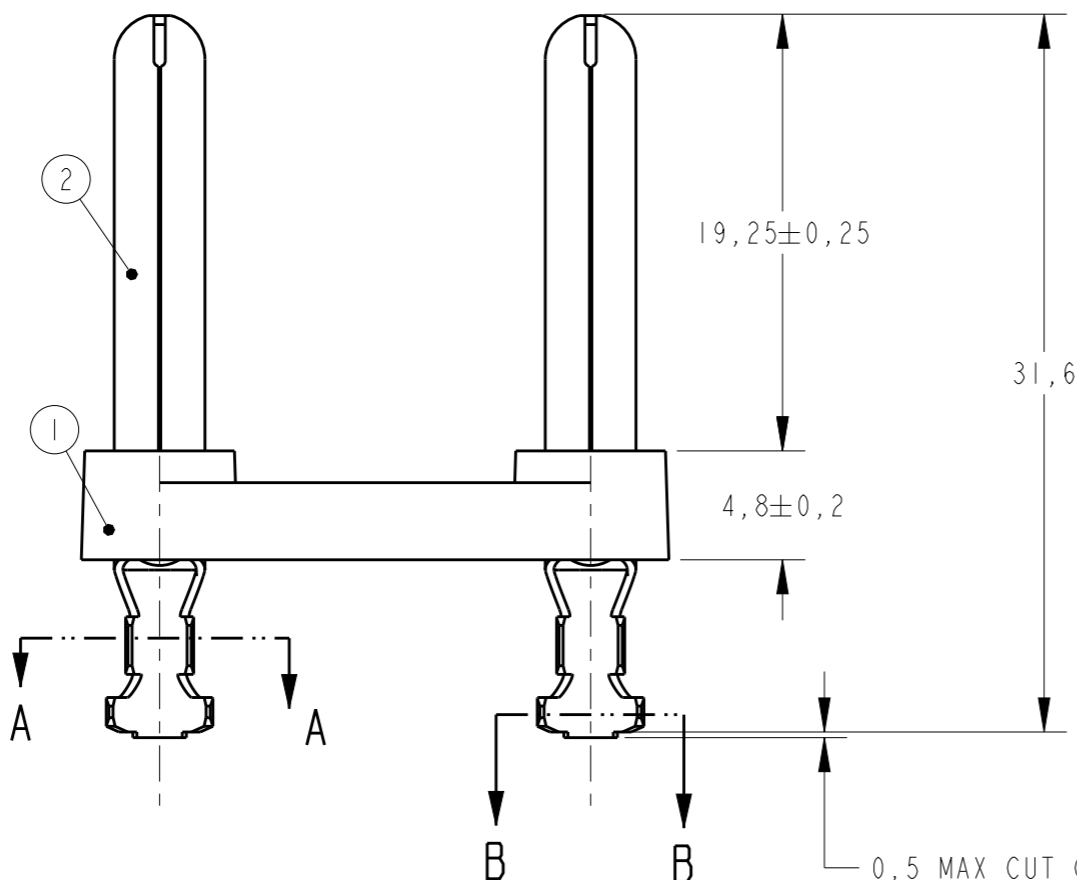
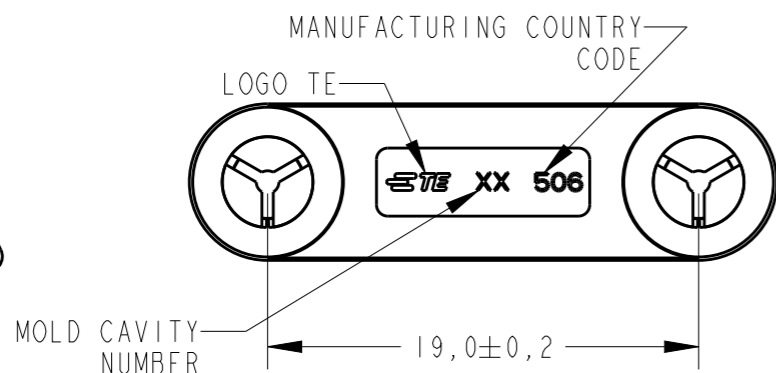
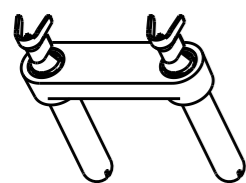
© COPYRIGHT 20 BY -

ALL RIGHTS RESERVED.

LOC AP DIST -

REVISIONS

| P | LTR | DESCRIPTION | DATE | DWN | APVD |
|---|-----|-----------------------|-----------|-----|------|
| | A | REV. ECO 14-018354 | 09DEC2014 | HC | WLS |
| | B | REV. ECO 15-002812 | 24FEB2015 | HC | WLS |
| | C | REV. BY ECO 16-015157 | 20OCT2016 | HC | WLS |



0,5 MAX CUT OFF BURR PERMITTED

1-TERMINAL WIRE RANGE - 0,5/1,5mm²
INSULATION RANGE - Ø2,0/3,0mm.



| | | | | |
|---------------|------------|-------------------------|-------------|-------------|
| NICKEL PLATED | BRASS | WALL PLUG PIN | 2 | 2819037-1 |
| BLACK | PBT 30% GF | 2 POS. WALL PLUG SPACER | 1 | |
| FINISH | MATERIAL | DESCRIPTION | ITEM NUMBER | PART NUMBER |

| | | | | |
|---|--|-------------------------------|-----------------------------------|-----------------|
| THIS DRAWING IS A CONTROLLED DOCUMENT. | | DWN 13MAY2014 H. CANTERI | TE Connectivity | |
| DIMENSIONS: mm | | CHK 13MAY2014 W.L. STEFANI | | |
| TOLERANCES UNLESS OTHERWISE SPECIFIED: | | APVD - | NAME 2 POS. WALL PLUG ASSEMBLY | |
| 0 PLC ± - 1 PLC ± 0,3 2 PLC ± 0,2 3 PLC ± - 4 PLC ± - ANGLES ± ° | | PRODUCT SPEC - | | |
| MATERIAL - | | APPLICATION SPEC - | RESTRICTED TO - | |
| FINISH - | | WEIGHT - | SIZE A3 | CAGE CODE 00779 |
| | | DRAWING NO. 2819037 | | SCALE 3:1 |
| | | Customer Drawing | | SHEET 1 OF 1 |
| | | | | REV C |