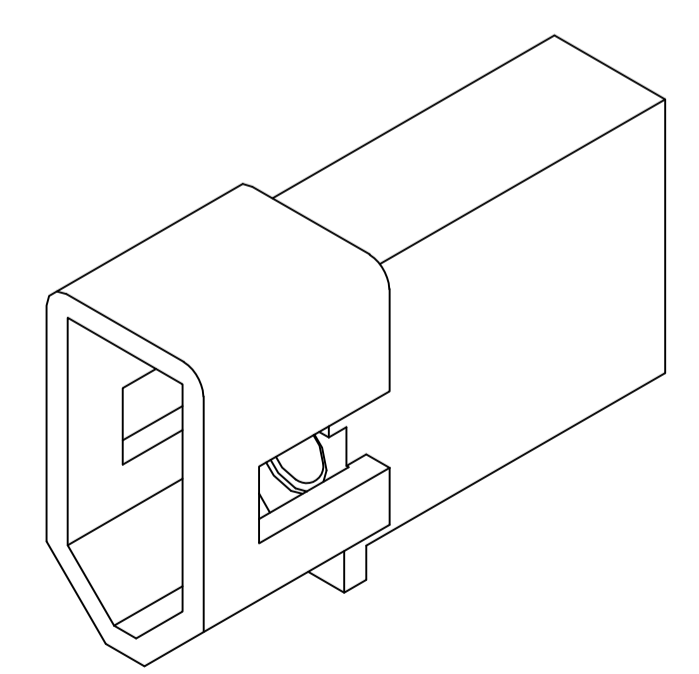
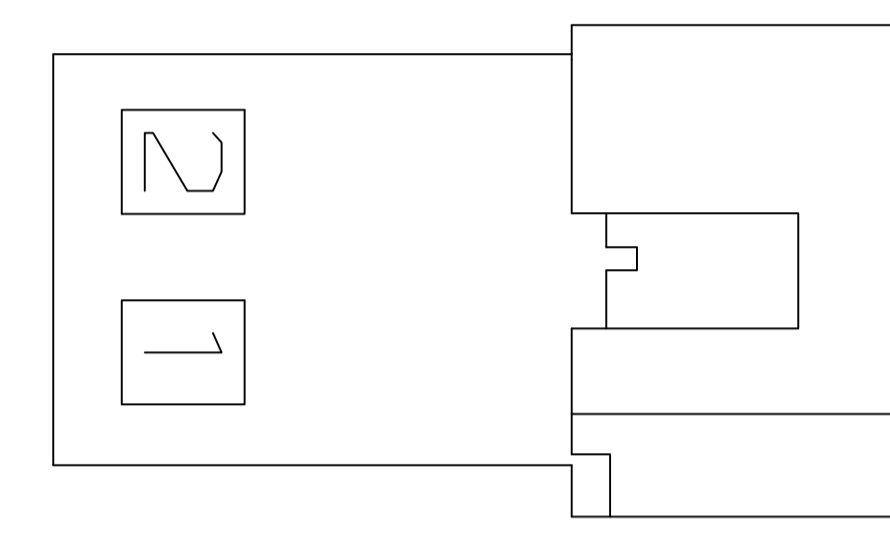
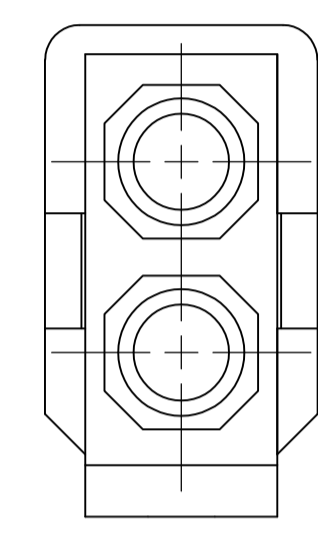
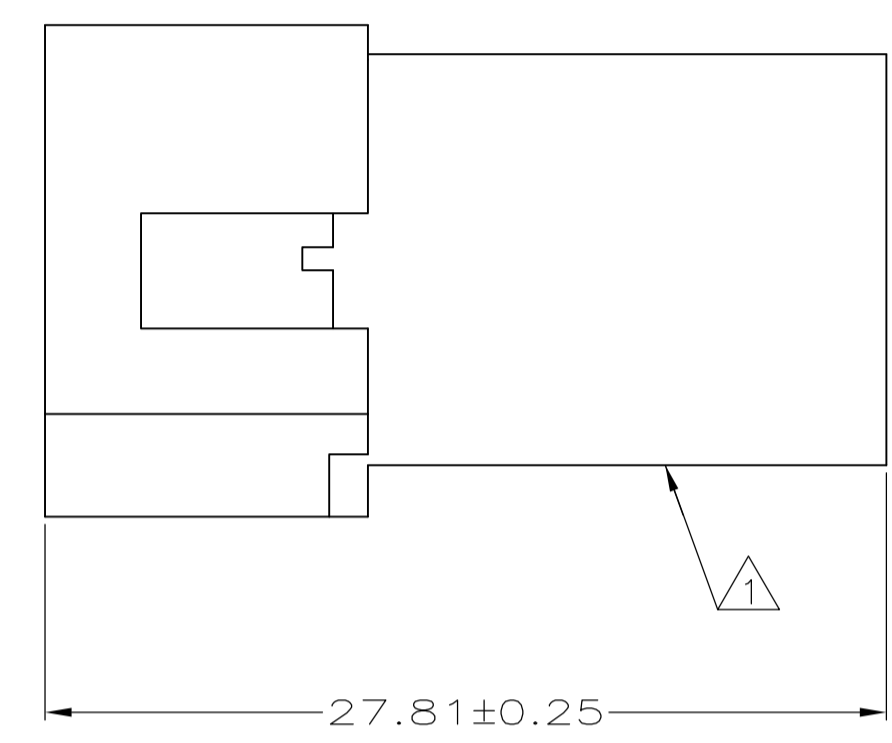
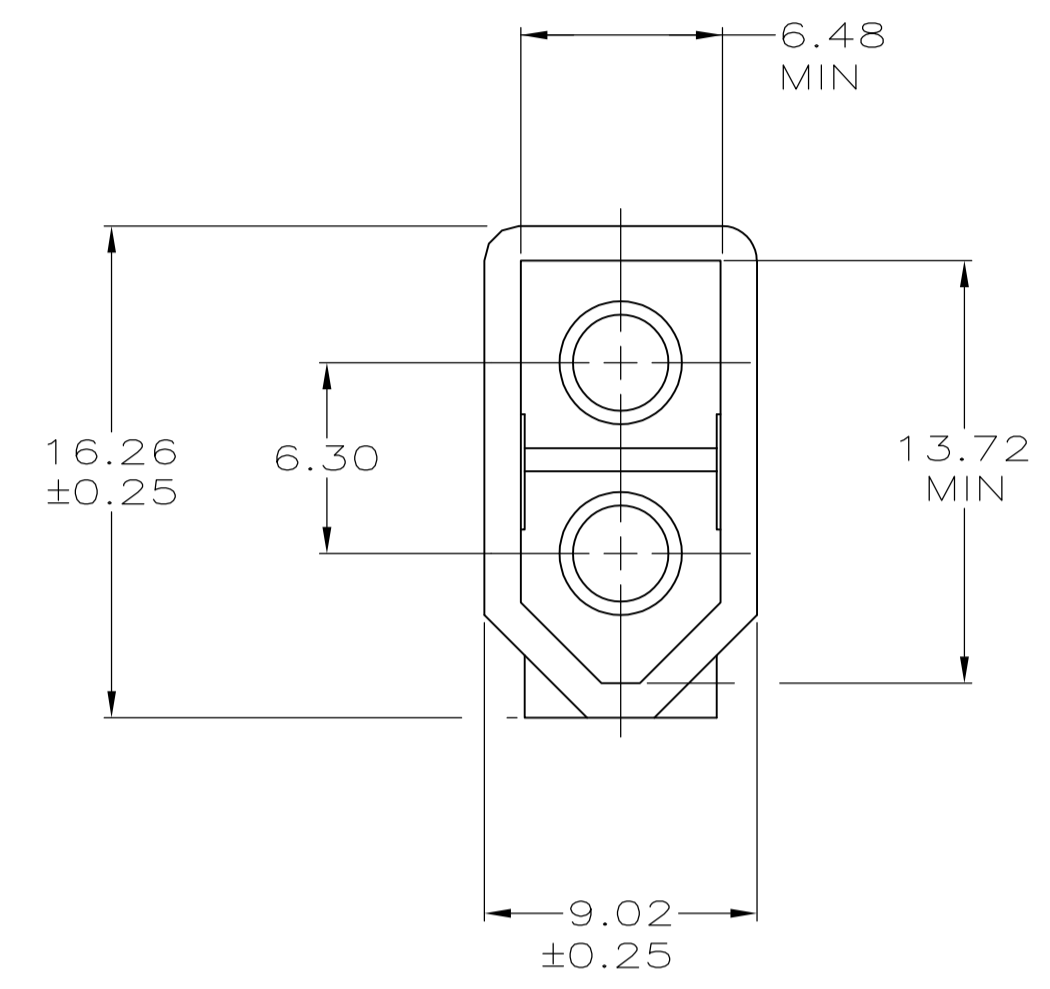
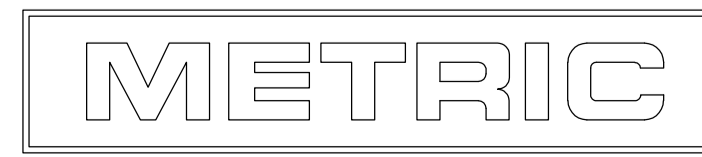


- 1 MARKING FOR UL AND CSA LOGOS LOCATED ON THIS SURFACE.
- 2 GLOW WIRE APPROVED PART
- 3 PRELIMINARY



3-DIMENSIONAL MODEL NTS

27.81	1.095
16.26	.640
13.72	.540
9.02	.355
6.48	.255
6.30	.248
2.36	.093
0.25	.010
0.13	.005
MM	IN
CONVERSION TABLE	



2	3	770069-3
		770069-1
PART NUMBER		

THIS DRAWING IS A CONTROLLED DOCUMENT.		DIN K. WHITAKER 2-24-98	TE Connectivity																		
		CHK R. SWING 2-24-98																			
DIMENSIONS: mm		APVD K. COBLE 2-24-98	NAME PLUG, 2 CIRCUIT, .093 PIN AND SOCKET																		
<table border="1"> <tr> <td>0. PLC</td> <td>±</td> <td>-</td> </tr> <tr> <td>1. PLC</td> <td>±</td> <td>-</td> </tr> <tr> <td>2. PLC</td> <td>±</td> <td>0.13</td> </tr> <tr> <td>3. PLC</td> <td>±</td> <td>-</td> </tr> <tr> <td>4. PLC</td> <td>±</td> <td>-</td> </tr> <tr> <td>ANGLES</td> <td>±</td> <td>-</td> </tr> </table>		0. PLC	±	-	1. PLC	±	-	2. PLC	±	0.13	3. PLC	±	-	4. PLC	±	-	ANGLES	±	-	PRODUCT SPEC	APPLICATION SPEC
0. PLC	±	-																			
1. PLC	±	-																			
2. PLC	±	0.13																			
3. PLC	±	-																			
4. PLC	±	-																			
ANGLES	±	-																			
MATERIAL NYLON, UL 94V-2,NATURAL	FINISH -	WEIGHT -	RESTRICTED TO -																		
CUSTOMER DRAWING		SIZE A1	SCALE 4:1 SHEET 1 OF 1 REV M2																		