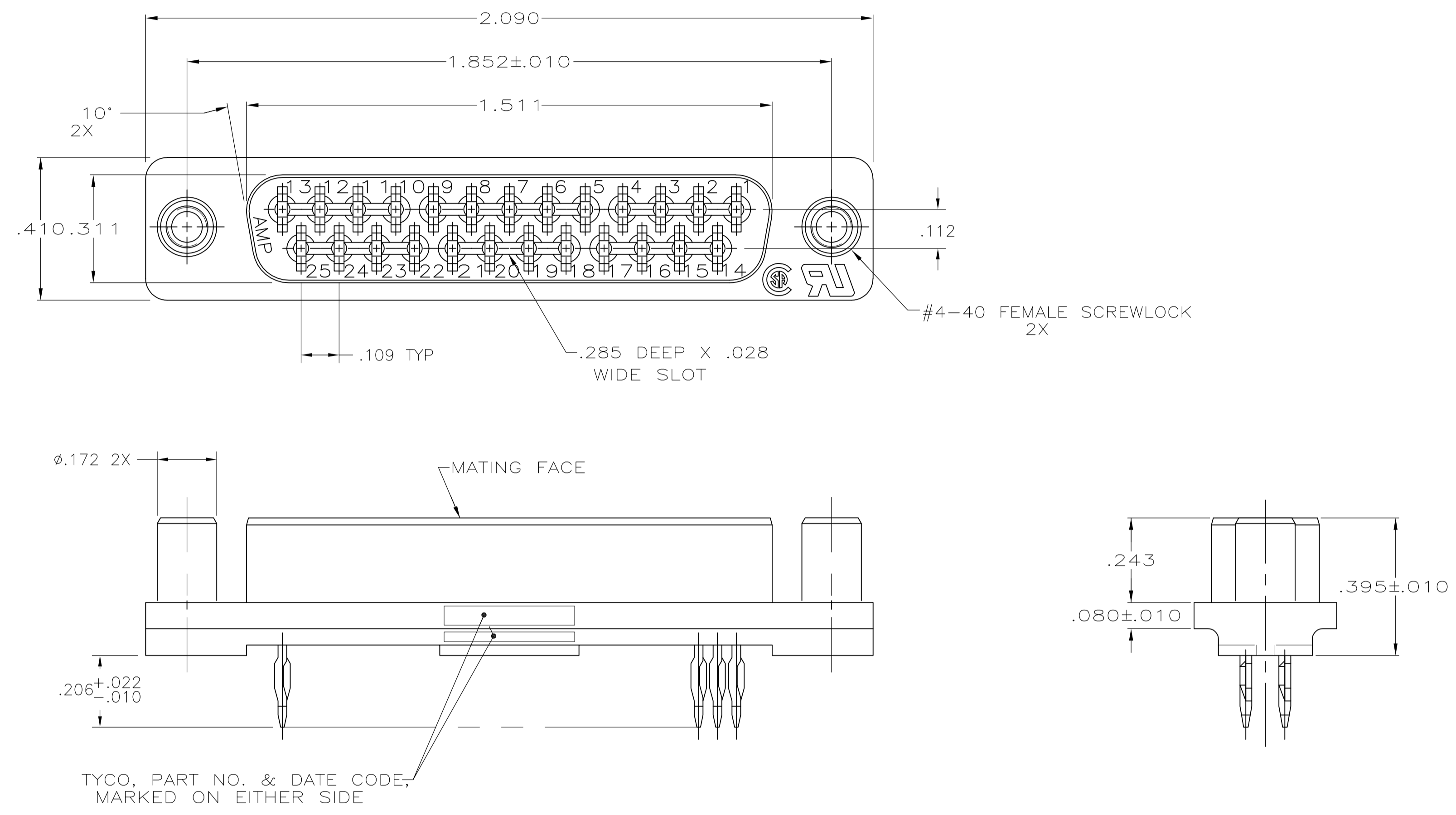


LOC	DIST	REVISIONS			
P	LTR	DESCRIPTION	DATE	DMN	APVD
C		REVISED PER ECO-12-000090	25JAN2012	CJV	SLB



- 1 FOR USE WITH .093 MINIMUM THICK PRINTED CIRCUIT BOARD. REFER TO APPLICATION SPECIFICATION FOR PRINTED CIRCUIT BOARD LAYOUT DIMENSIONS AND FINISH RECOMMENDATIONS.
- 2 MATERIAL:
HOUSING: GLASS-FILLED NYLON, UL94V-0 RATED, COLOR: BLACK.
CONTACTS: COPPER ALLOY.
FEMALE SCREWLOCKS: BRASS.
- 3 PLATED WITH GOLD FLASH ON MATING SURFACES, .000100 MIN TIN ON COMPLIANT PIN, ALL OVER .000050 MIN NICKEL ON ENTIRE CONTACT.
- 4 0.76 MICROMETERS [.000030]MIN GOLD IN MATING AREA.
2.54 MICROMETERS [.000100]MIN TIN ON COMPLIANT PIN.
ALL OVER 1.27 MICROMETERS [.000050]MIN NICKEL.
OR
GOLD FLASH OVER PALLADIUM NICKEL.
0.76 MICROMETERS [.000030]MIN TOTAL IN MATING AREA.
2.54 MICROMETERS [.000100]MIN TIN ON COMPLIANT PIN.
ALL OVER 1.27 MICROMETERS [.000050]MIN NICKEL.
- 5 SCREWLOCKS: .000050 MIN NICKEL OVER COPPER FLASH.

4	5745458-2
3	5745458-1
CONTACT FINISH	PART NUMBER

THIS DRAWING IS A CONTROLLED DOCUMENT. DIMENSIONING AND TOLERANCING PER ASME Y14.5M-2009.

DIMENSIONS:	TOLERANCES UNLESS OTHERWISE SPECIFIED:	DIN	G. PETERS	04FEB06
INCHES	0 PLC ± -	CHK	S. BOLASH	04FEB06
	1 PLC ± -	APVD	M. WALMSLEY	04FEB06
	2 PLC ± -	NAME	RECEPTACLE ASSEMBLY, ACTION-PIN, 25 POSITION, HD-20, AMPLIMITE	
	3 PLC ± .005	PRODUCT SPEC	108-40014	
	4 PLC ± -	APPLICATION SPEC	114-40026 1	
	ANGLES ± -	SIZE	CAGE CODE	DRAWING NO
MATERIAL	FINISH	WEIGHT	A1	00779
		CUSTOMER DRAWING	SCALE	4:1
			SHEET	1 of 1
			REV	C