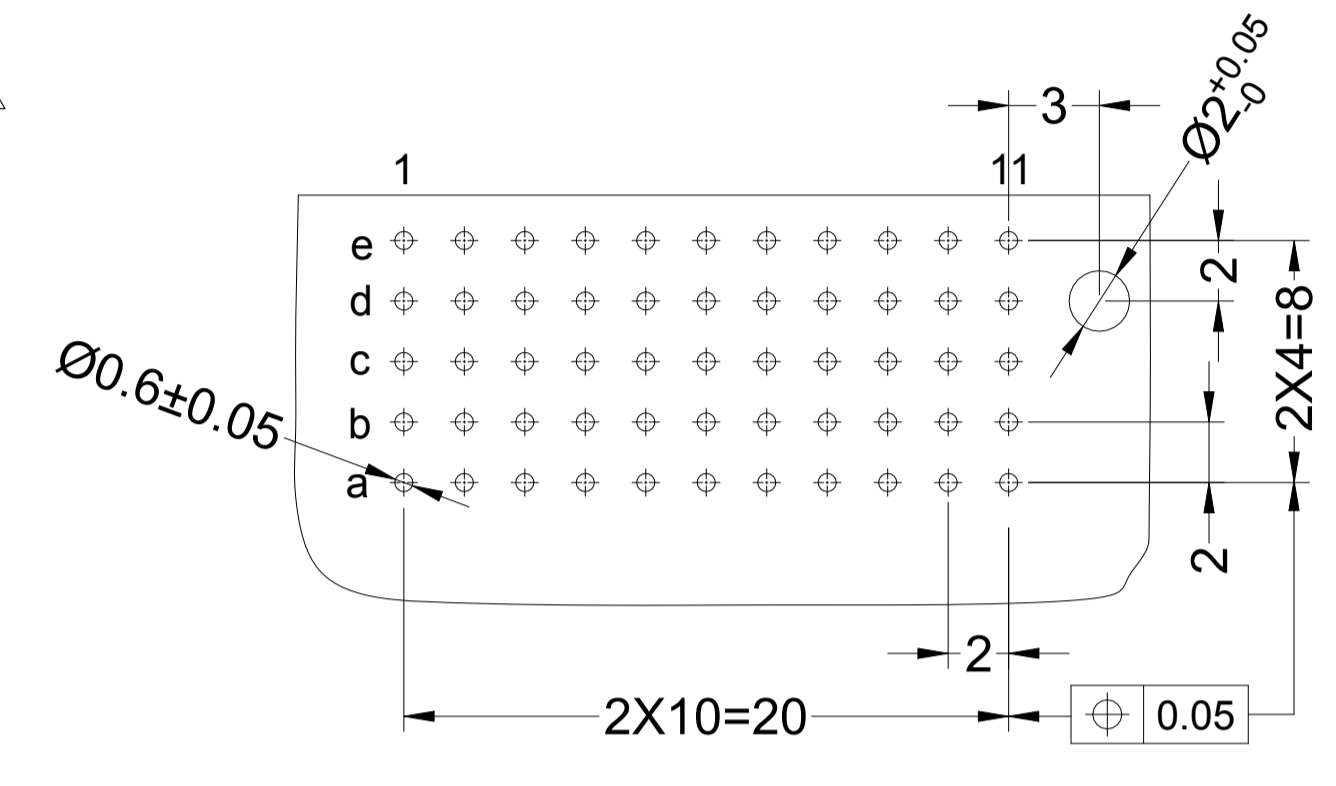
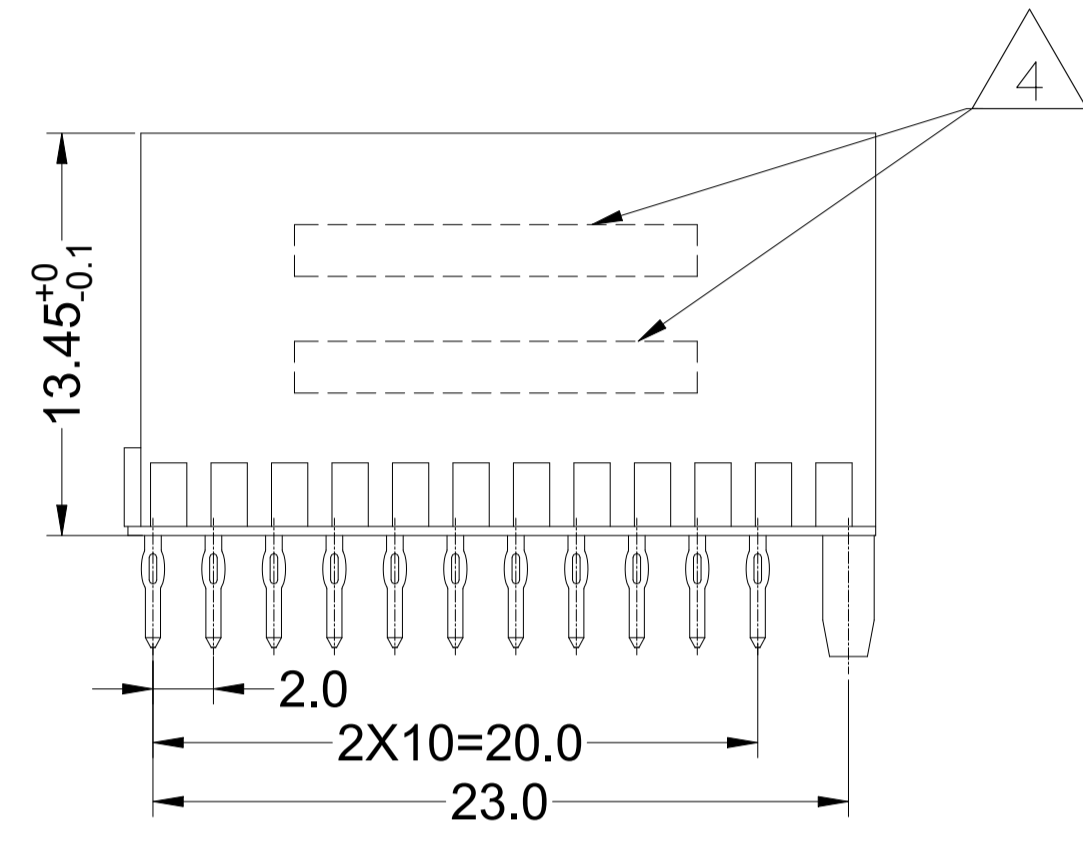
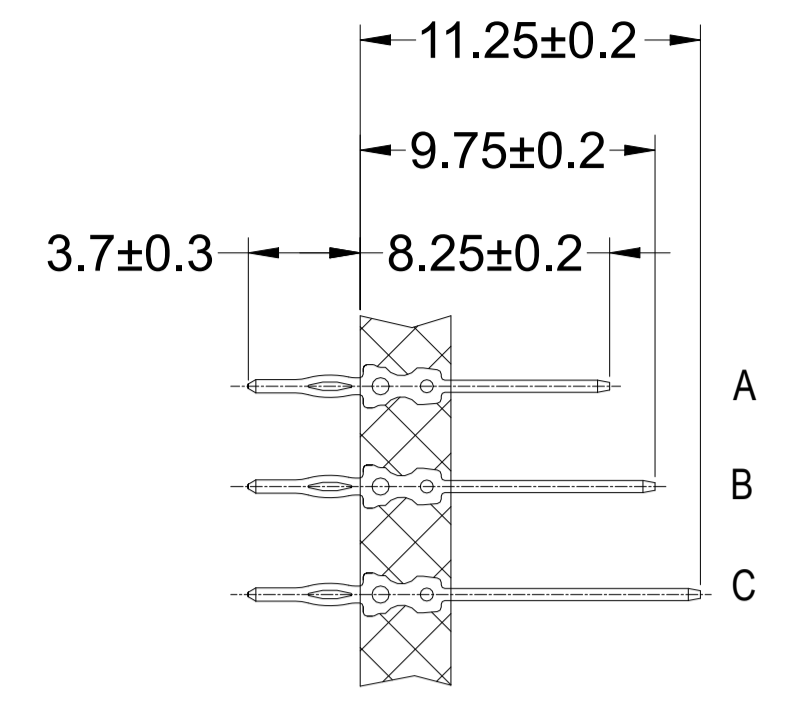
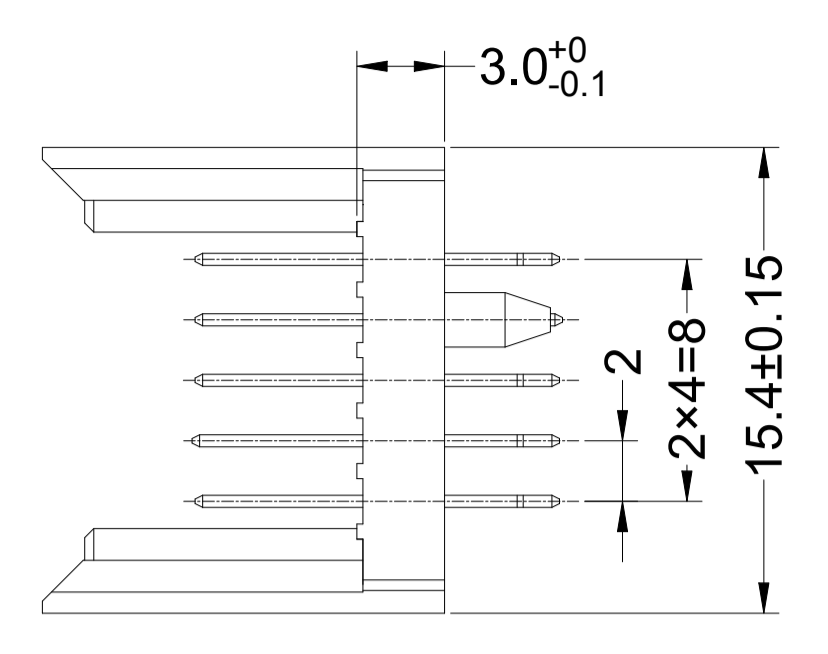
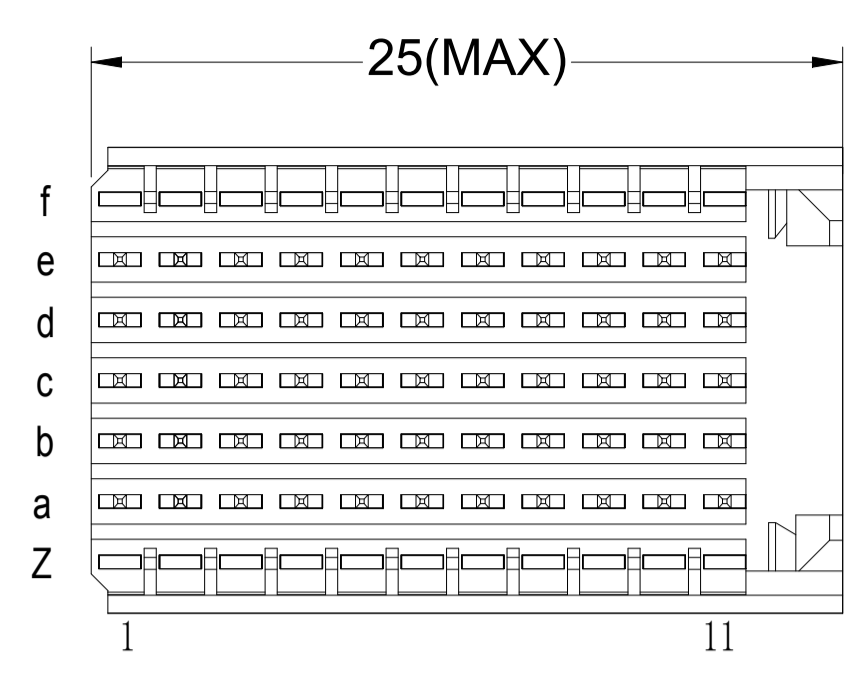
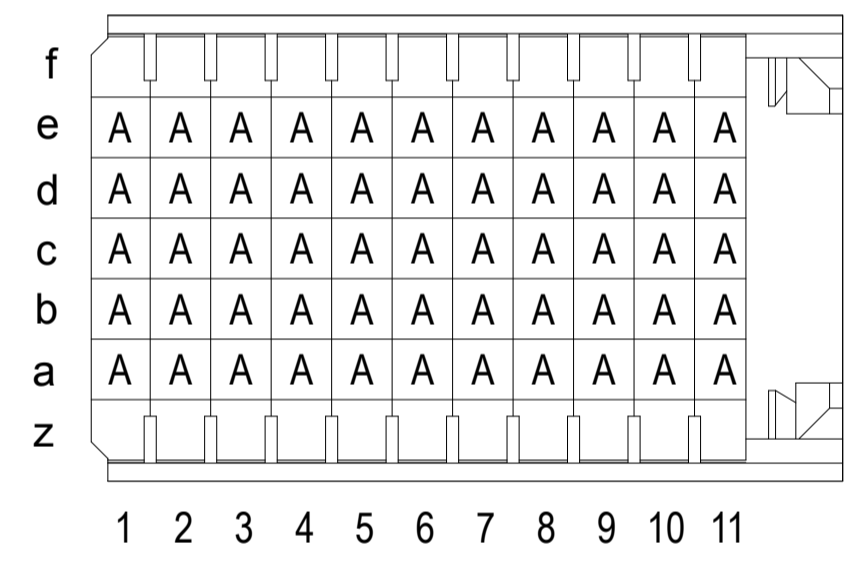


REVISIONS				
P	LTR	DESCRIPTION	DATE	APP'D
A		INITIAL DRAWING	18OCT2021	TL HL



RECOMMEND PCB-HOLE LAYOUT
 COMPONENT SIDE SHOWN
 TOLERANCE ±0.05



1 MATERIAL:
 CONTACT: COPPER ALLOY.
 HOUSING: GLASS-FILLED POLYESTER.

2 GENERAL PLATING SPECIFICATION: UNDERPLATING
 (ENTIRE CONTACT): 1.27µm MIN NICKEL AND ACTION
 PIN: 0.5µm MIN TIN.
 FOR PLATING OF MATING SURFACES SEE APPLICABLE
 SPECIFICATION REFERENCE FOR EACH DASH NUMBER.

3 CONFORMS TO ALL TESTING ACCORDING TO IEC 61076-4-101
 PERFORMANCE LEVEL 2.

4 CONNECTOR MARKED WITH PART NUMBER AND DATE CODE.

2/3	2391904-1
FINISH	PART NUMBER

THIS DRAWING IS A CONTROLLED DOCUMENT.		DIN	TONY LI	27MAY2021	TE Connectivity Ltd.
DIMENSIONS: mm		CHK	ALEX XU	27MAY2021	
TOLERANCES UNLESS OTHERWISE SPECIFIED:		APVD	HOPE LU	27MAY2021	NAME
0-PLC	±	PRODUCT SPEC		108-19082	MALE ASSEMBLY, Z-PACK 2mm HM, 55P
1-PLC	±0.2	APPLICATION SPEC		114-160149	TYPE C EON
2-PLC	±	SIZE	CAGE CODE	DRAWING NO	RESTRICTED TO
3-PLC	±	WEIGHT	0	A1 00779	©=2391904
4-PLC	±	CUSTOMER DRAWING		SCALE	4:1
ANGLES	±	SHEET		1	of 1
		REV		A	