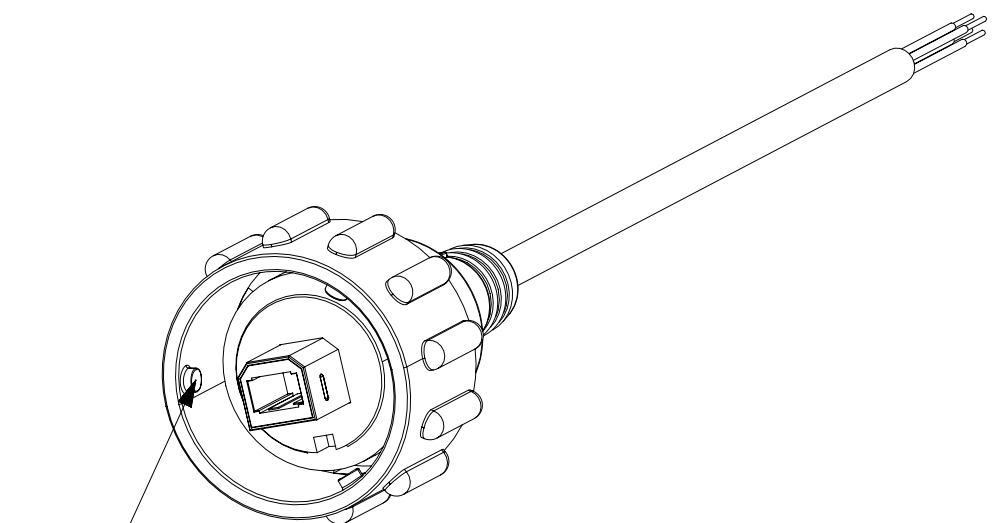
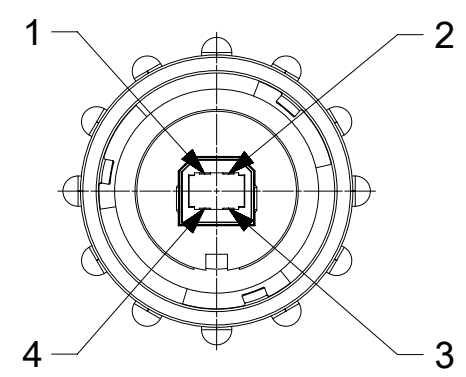
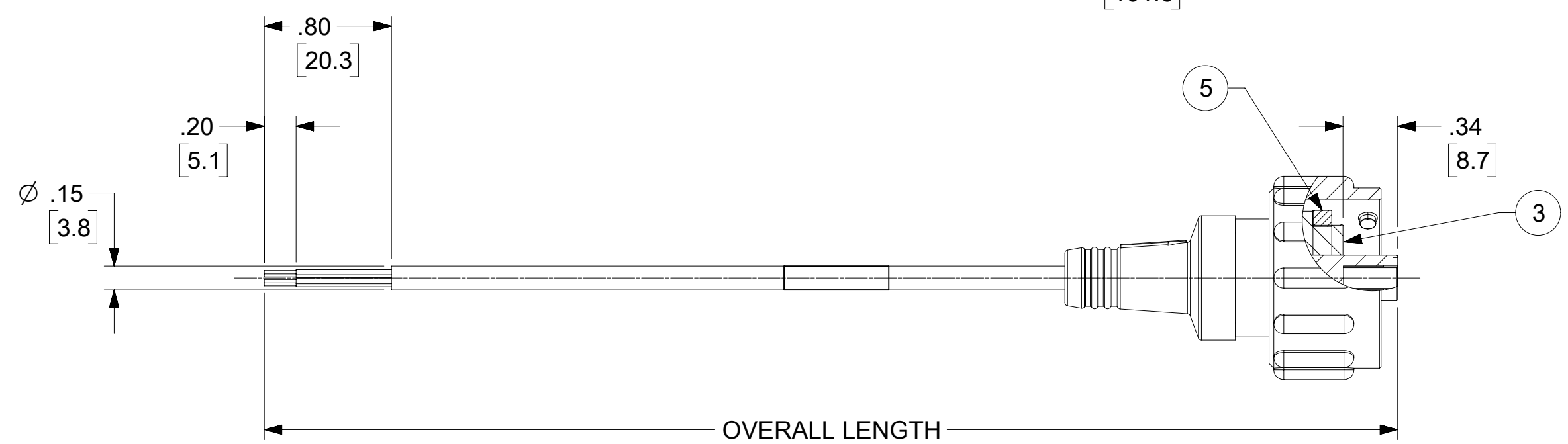
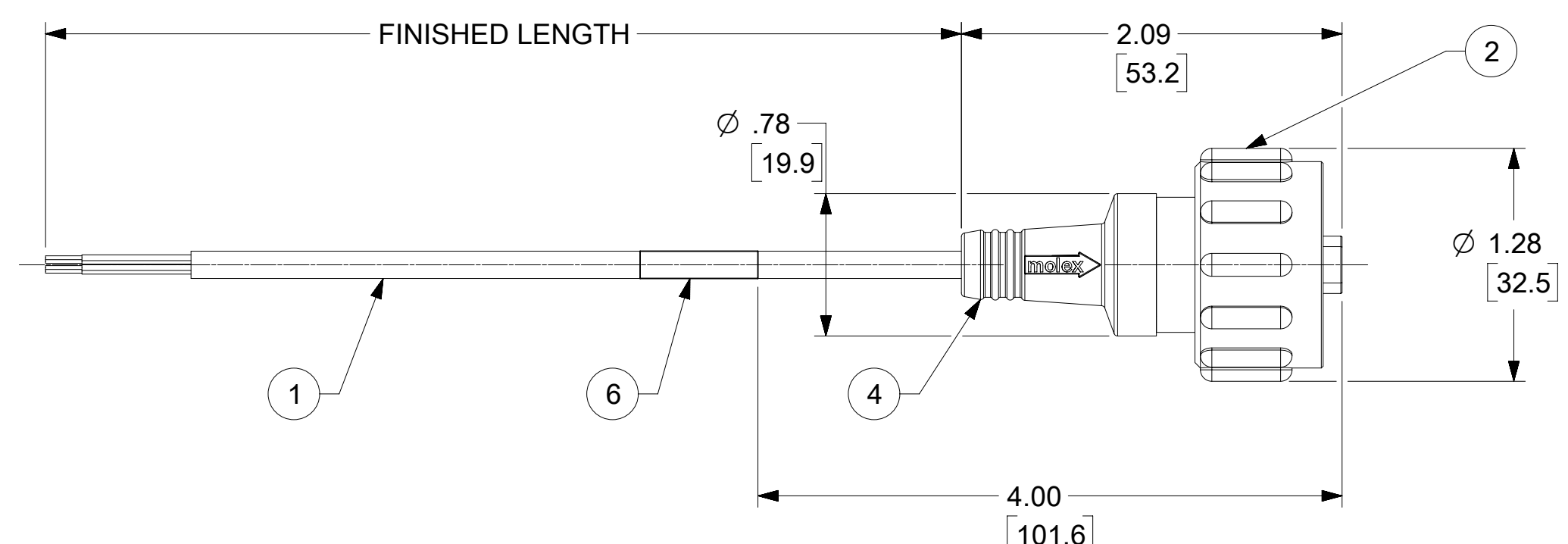


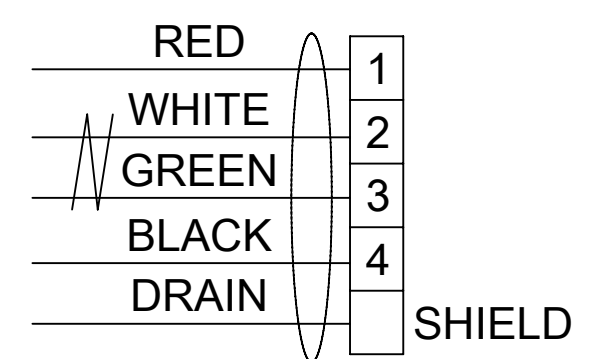
PART NO.	LENGTH	REF. OVERALL LENGTH
847281001	2.0M +44.5mm/-0 (6' 7" +1.75 IN/-0)	2.05M (6 FT 9 IN)
847281002	1.5M +31.8mm/-0 (4' 11" +1.25 IN/-0)	1.55M (5 FT 1 IN)
847281003	3.0M +63.5mm/-0 (9' 10" +2.50 IN/-0)	3.05M (10 FT 0 IN)
847281004	5.0M +101.6mm/-0 (16' 5" +4.00 IN/-0)	5.05M (16 FT 7 IN)
847281005	0.15M +25.4mm/-0 (0' 5.9" +1.00 IN/-0)	0.20M (0 FT 8 IN)



BAYONET STYLE LOCKING INTERFACE



USB-TYPE B MALE FACE VIEW



WIRE DIAGRAM

- NOTES:
1. MATERIAL: AS NOTED
 2. FINISHES: AS NOTED
 3. PACKAGING: SEALED POLY BAG WITH BARCODE LABEL
 4. PRODUCT SPEC: PS-84727-002
 5. CABLE MATERIAL: PVC JACKET, BLACK
USB SHELL: PHOS-BRONZE, NICKEL PLATED
CONTACTS: PHOS-BRONZE, GOLD PLATED
 6. DIMS SHOWN ARE FOR REFERENCE UNLESS NOTED OTHERWISE
 7. ASSEMBLY IS RoHS COMPLIANT

ITEM	DESCRIPTION	MATERIAL	FINISH
6	WRAP LABEL	VINYL	BLACK/YELLOW
5	GASKET SEAL	NITRILE	BLACK
4	OVERMOLD	TPC	BLACK
3	HOLDER	PBT	BLACK
2	COUPLING RING	PBT	BLACK
1	CABLE SUB-ASSY, USB TYPE B PLUG, 28 AWG, SHIELDED	AS NOTED	AS NOTED

THIS DRAWING CONTAINS INFORMATION THAT IS PROPRIETARY TO MOLEX ELECTRONIC TECHNOLOGIES, LLC AND SHOULD NOT BE USED WITHOUT WRITTEN PERMISSION

DIMENSION UNITS	SCALE	CURRENT REV DESC: REMOVED OBSOLETE PART NUMBER AS PER PCN#509987.	molex		
INCH/MM	1:1				
GENERAL TOLERANCES (UNLESS SPECIFIED)			USB TYPE B BAYONET STYLE CABLE ASSEMBLY		
4 PLACES	±	±	EC NO: 693623	2021/09/14	
3 PLACES	±	±	DRWN: SANTHN	2022/03/30	
2 PLACES	±	±	CHK'D: GGA	2022/03/30	
1 PLACE	±	±	APPR: GGA	2022/03/30	
0 PLACES	±	±	INITIAL REVISION:		
ANGULAR TOL	±	°	DRWN: S. GILBERT	2004/06/29	
DRAFT WHERE APPLICABLE MUST REMAIN WITHIN DIMENSIONS			APPR: JFMURPHY	2009/12/15	
THIRD ANGLE PROJECTION			DRAWING	SERIES	DOCUMENT NUMBER
C-SIZE			84728	847281001	DOC TYPE DOC PART REVISION
SEE P/N CHART			GENERAL MARKET	PSD 000	B2
MATERIAL NUMBER			CUSTOMER	SHEET NUMBER	
1 OF 1			1 OF 1		