

THIS DRAWING IS UNPUBLISHED.

RELEASED FOR PUBLICATION

20

© COPYRIGHT 20 BY -

ALL RIGHTS RESERVED.

REVISIONS

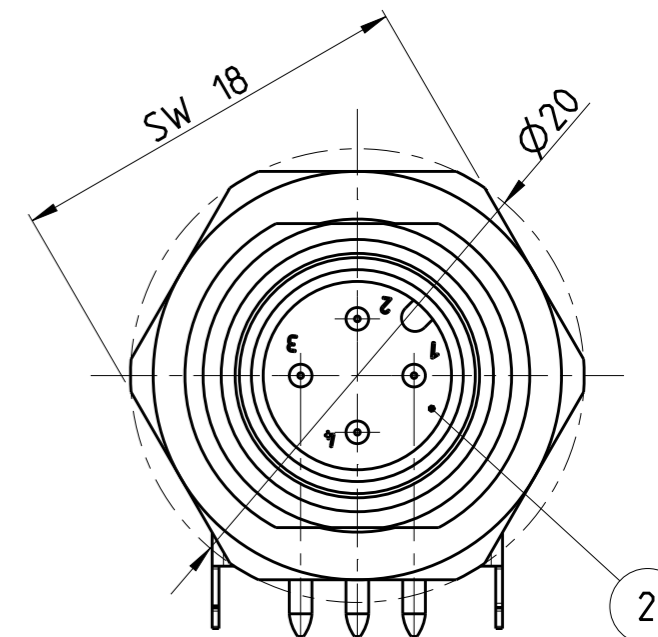
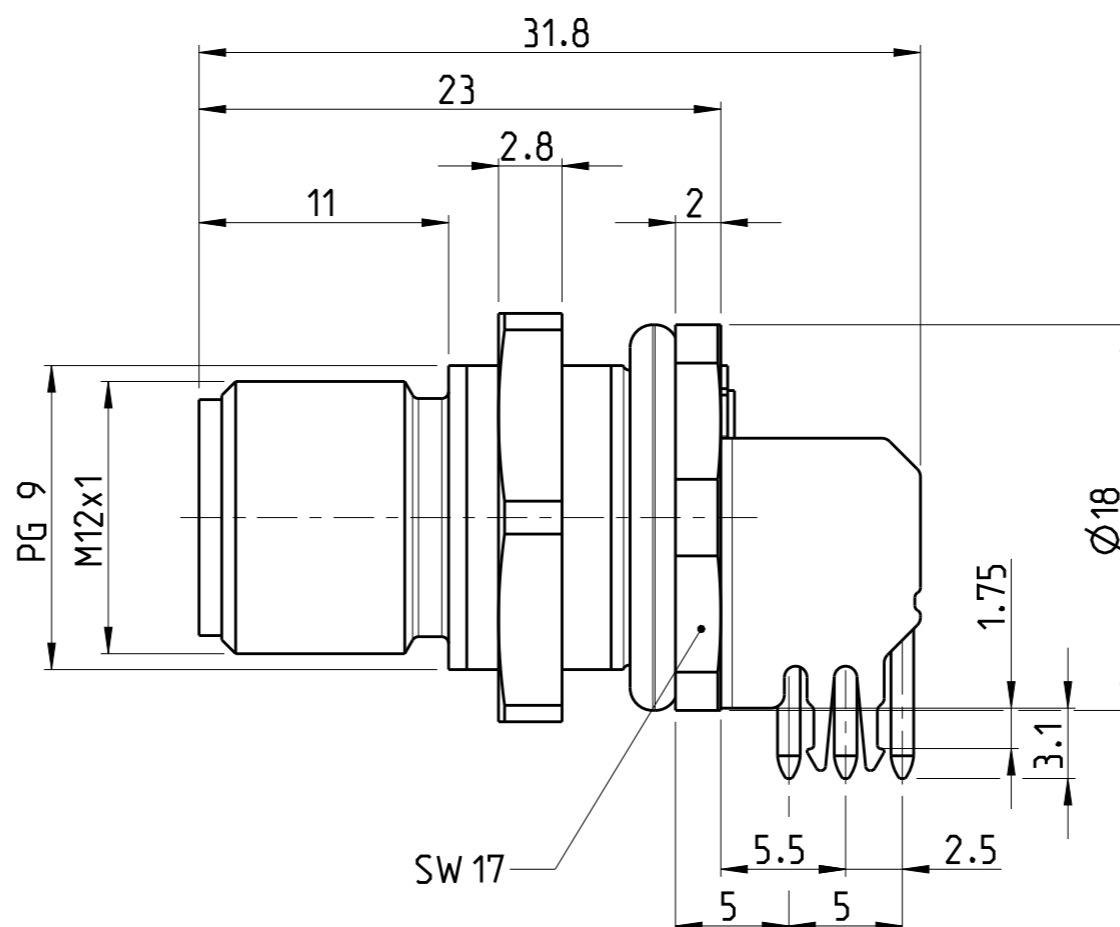
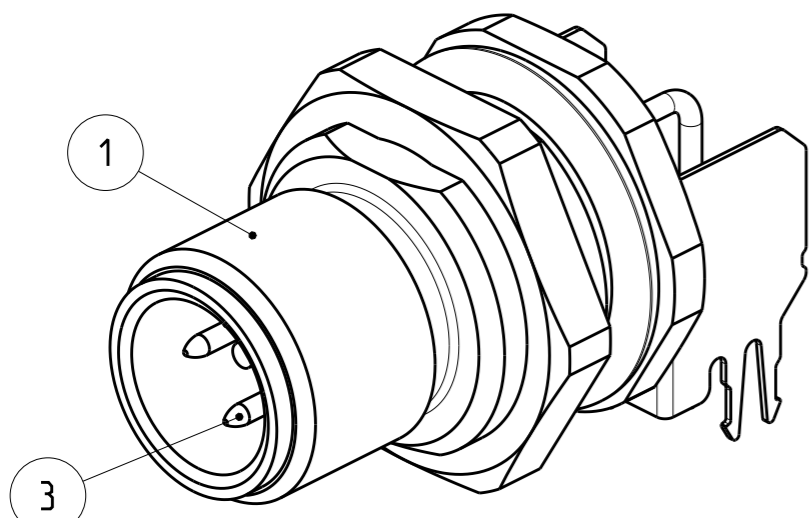
P	LTR	DESCRIPTION	DATE	DWN	APVD
	A	NEW RELEASE	14NOV2014	TJ	PS

NOTES:

- 1 MATERIAL: ITEM NO. 1: HOUSING - CuZn (BRASS, NICKEL PLATED)
- ITEM NO. 2: CONTACT BODY - PA66
- ITEM NO. 3: CONTACT - CuZn (BRASS)
- CONTACT FINISH - Au (GOLD)

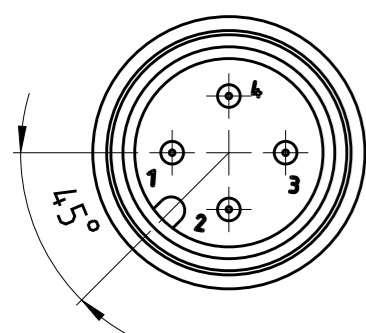
- 2 ALL DIMENSIONS ARE FOR NOMINAL REFERENCE ONLY UNLESS OTHERWISE STATED
- 3 MEASUREMENT REFERENCE ONLY
- 4 PACKAGING: 1 PIECE IN A BAG

SIZE ISO 14405 (E)

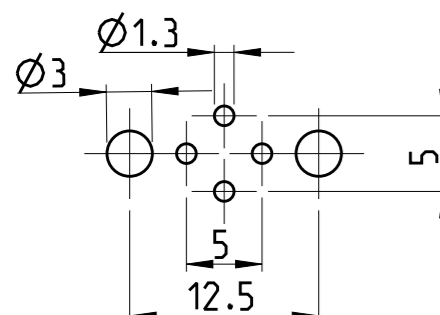


PIN ARRANGEMENT A-CODING

3-2172094-2



CONDUCTOR LAYOUT



TECHNICAL DATA

	3-2172094-2
RATED VOLTAGE	250V
RATED IMPULSE VOLTAGE	2500V
POLLUTION DEGREE	3
OVERVOLTAGE CATEGORY	II
MATERIAL GROUP	III
RATED CURRENT	4A
VOLUME RESISTIVITY	≤ 3mΩ
DEGREE OF PROTECTION	IP68
UPPER TEMPERATURE	+85 °C
LOWER TEMPERATURE	-40 °C

1	4	3-2172094-2
MATERIAL	NUMBER OF POLES	TE-PART-NO.

THIS DRAWING IS A CONTROLLED DOCUMENT.

DIMENSIONS:	TOLERANCES UNLESS OTHERWISE SPECIFIED:
mm	
0 PLC	±
1 PLC	±
2 PLC	±
3 PLC	±
4 PLC	±
ANGLES	±
FINISH	
SEE NOTES	SEE NOTES

DWN	M THAJUDEEN	14NOV2014
CHK	PRASHANTH S	14NOV2014
APVD	PRASHANTH S	14NOV2014
PRODUCT SPEC	108-19483	
APPLICATION SPEC	114-32127	
WEIGHT	-	
Customer Drawing		



NAME				M12 RECEPTACLE, MALE, PCB MOUNT, ANGLED, PANEL REAR, SHIELDED, A-CODE	
SIZE	CAGE CODE	DRAWING NO	RESTRICTED TO		
A3	00779	C-2172094	-		
SCALE		SHEET	OF	REV	
2:1		1	1	A	