

EDS-P510 Series

7+3G-port Gigabit managed Ethernet switches with 4 IEEE 802.3af PoE ports



- > 4 IEEE 802.3af-compliant PoE and Ethernet combo ports
- > Provides up to 15.4 watts at 48 VDC per PoE port
- > Intelligent power consumption detection, PD failure check, and PoE scheduling function
- > 3 combo (10/100/1000BaseT(X) or 100/1000BaseSFP slot) Gigabit ports; 2 ports for redundant ring and 1 port for uplink
- > Turbo Ring and Turbo Chain (recovery time < 20 ms @ 250 switches), RSTP/STP, and MSTP for network redundancy
- > TACACS+, SNMPv3, IEEE 802.1X, HTTPS, and SSH to enhance network security
- > Easy network management by web browser, CLI, Telnet/serial console, windows utility, and ABC-01



Introduction

The EDS-P510 series Gigabit managed redundant Ethernet switches come standard with 4 10/100BaseT(X) 802.3af (PoE) compliant Ethernet ports and 3 combo Gigabit Ethernet ports. The EDS-P510 switches provide up to 15.4 watts of power per PoE port, and allow power to be supplied to connected devices (such as surveillance cameras, wireless access points, and IP phones) when AC power is not readily available or is cost-prohibitive to provide locally. The

EDS-P510 switches are highly versatile, and their SFP fiber port can transmit data up to 80 km from the device to the control center with high EMI immunity. The Ethernet switches support advanced management and security features. The EDS-P510 series is designed especially for security automation applications such as IP surveillance, and gate of entry systems, which can benefit from a scalable backbone construction and Power-over-Ethernet support.

Features and Benefits

- Advanced PoE management function (PoE port setting, PD failure check, and PoE scheduling)
- Command Line Interface (CLI) for quickly configuring major managed functions
- IPv6 Ready logo awarded (IPv6 Logo Committee certified)
- Software-based IEEE 1588 PTPv2 (Precision Time Protocol) for precise time synchronization of networks
- DHCP Option 82 for IP address assignment with different policies
- Support EtherNet/IP and Modbus/TCP protocols for device management and monitoring
- Turbo Ring and Turbo Chain (recovery time < 20 ms @ 250 switches), RSTP/STP, and MSTP for network redundancy
- IGMP snooping and GMRP for filtering multicast traffic
- Port-based VLAN, IEEE 802.1Q VLAN, and GVRP to ease network planning
- QoS (IEEE 802.1p/1Q) and TOS/DiffServ to increase determinism
- Port Trunking for optimum bandwidth utilization
- TACACS+, IEEE 802.1X, SNMPv3, HTTPS, and SSH to enhance network security
- Lock port function for blocking unauthorized access based on MAC address
- SNMPv1/v2c/v3 for different levels of network management
- RMON for efficient network monitoring and proactive capability
- Bandwidth management to prevent unpredictable network status
- Port mirroring for online debugging
- Automatic warning by exception through e-mail, relay output

Specifications

Technology

Standards:

- IEEE 802.3af for Power-over-Ethernet
- IEEE 802.3 for 10BaseT
- IEEE 802.3u for 100BaseT(X) and 100BaseFX
- IEEE 802.3ab for 1000BaseT(X)
- IEEE 802.3z for 1000BaseX
- IEEE 802.3x for Flow Control
- IEEE 802.1D-2004 for Spanning Tree Protocol
- IEEE 802.1w for Rapid STP
- IEEE 802.1s for Multiple Spanning Tree Protocol

IEEE 802.1Q for VLAN Tagging

IEEE 802.1p for Class of Service

IEEE 802.1X for Authentication

IEEE 802.3ad for Port Trunk with LACP

Protocols: IGMPv1/v2, GMRP, GVRP, SNMPv1/v2c/v3, DHCP Server/Client, DHCP Option 66/67/82, BootP, TFTP, SNTP, SMTP, RARP, RMON, HTTP, HTTPS, Telnet, SSH, Syslog, EtherNet/IP, Modbus/TCP, SNMP Inform, LLDP, IEEE 1588 PTPv2, IPv6, NTP Server/Client

MIB: MIB-II, Ethernet-Like MIB, P-BRIDGE MIB, Q-BRIDGE MIB, Bridge MIB, RSTP MIB, RMON MIB Group 1, 2, 3, 9

Flow Control: IEEE 802.3x flow control, back pressure flow control

Switch Properties

Priority Queues: 4
Max. Number of Available VLANs: 64
VLAN ID Range: VID 1 to 4094
IGMP Groups: 256
MAC Table Size: 8 K
Packet Buffer Size: 1 Mbit

Interface

Fiber Ports: 100/1000BaseSFP slot
RJ45 Ports: 10/100BaseT(X) or 10/100/1000BaseT(X) auto negotiation speed
PoE Pinout: V+, V+, V-, V- for pin 1, 2, 3, 6 (Endspan, MDI Alternative A)
Console Port: RS-232 (RJ45 connector)
DIP Switches: Turbo Ring, Master, Coupler, Reserve
LED Indicators: PWR1, PWR2, FAULT, 10/100/1000, 10/100, MSTR/HEAD, CPLR/TAIL, PoE
Alarm Contact: 2 relay outputs with current carrying capacity of 0.5 A @ 48 VDC
Digital Inputs: 2 inputs with the same ground, but electrically isolated from the electronics.
 • +13 to +30V for state “1”
 • -30 to +3V for state “0”
 • Max. input current: 8 mA

Power Requirements

Input Voltage: 48 (46 to 50 V) VDC, redundant dual inputs
Input Current: Max. 1.62 A @ 48 VDC (supports up to 4 ports at 15.4 W per PoE port)
Overload Current Protection: Present
Connection: 2 removable 6-contact terminal blocks
Reverse Polarity Protection: Present

Physical Characteristics

Housing: Metal, IP30 protection
Dimensions: 80.2 x 135 x 105 mm (3.16 x 5.31 x 4.13 in)
Weight: 1170 g
Installation: DIN-rail mounting, wall mounting (with optional kit)

Environmental Limits

Operating Temperature:
 Standard Models: 0 to 60°C (32 to 140°F)
 Wide Temp. Models: -40 to 75°C (-40 to 167°F)
Storage Temperature: -40 to 85°C (-40 to 185°F)
Ambient Relative Humidity: 5 to 95% (non-condensing)

Standards and Certifications

Safety: UL 508
EMI: FCC Part 15 Subpart B Class A, EN 55022 Class A
EMS:
 EN 61000-4-2 (ESD) Level 3, EN 61000-4-3 (RS) Level 3,
 EN 61000-4-4 (EFT) Level 3, EN 61000-4-5 (Surge) Level 3,
 EN 61000-4-6 (CS) Level 3, EN 61000-4-8
Marine: DNV, GL, LR, ABS, NK
Shock: IEC 60068-2-27
Freefall: IEC 60068-2-32
Vibration: IEC 60068-2-6
Note: Please check Moxa's website for the most up-to-date certification status.

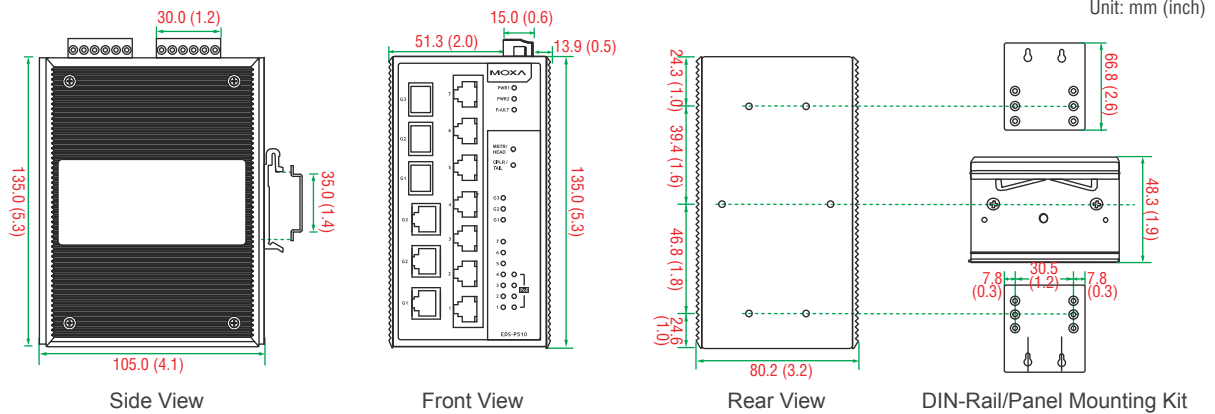
MTBF (mean time between failures)

Time: 205,384 hrs
Database: Telcordia (Bellcore), GB

Warranty

Warranty Period: 5 years
Details: See www.moxa.com/warranty

Dimensions



Ordering Information

Available Models		Port Interface		
		Gigabit Ethernet	Fast Ethernet	
Standard Temperature (0 to 60°C)	Wide Temperature (-40 to 75°C)	Combo Port, 10/100/1000BaseT(X) or 100/1000BaseSFP*	PoE, 10/100BaseT(X)	10/100BaseT(X)
		EDS-P510	EDS-P510-T	3

*The EDS-P510 series supports 3 100/1000BaseSFP slots. See the SFP-1G and SFP-1FE datasheets for Gigabit/Fast Ethernet SFP module product information.

Optional Accessories (can be purchased separately)

DR-75-48/120-48: 75/120 W DIN-rail 48 VDC power supplies
DRP-240-48: 240 W DIN-rail 48 VDC power supplies
MXview: Moxa industrial network management software with 50, 100, 250, 500, 1000, or 2000 nodes
EDS-SNMP OPC Server Pro: OPC server software that works with all SNMP devices
ABC-01: Configuration backup and restoration tool for managed Ethernet switches, 0 to 60°C operating temperature
WK-46: Wall mounting kit
RK-4U: 4U-high 19" rack mounting kit

Package Checklist

- EDS-P510 switch
- RJ45 to DB9 console port cable
- Protective caps for unused ports
- Documentation and software CD
- Hardware installation guide (printed)
- Warranty card

SFP-1G Series

1-port Gigabit Ethernet SFP modules



- > IEEE 802.3z compliant
- > Differential LVPECL inputs and outputs
- > TTL signal detect indicator
- > Hot pluggable LC duplex connector
- > Class 1 laser product, complies with EN 60825-1



Specifications

Interface

Ethernet Ports: 1

Connectors: Duplex LC Connector or Simplex LC Connector (WDM-type only)

Note: WDM-type SFP modules must be used in pairs (e.g., SFP-1G10ALC and SFP-1G10BLC)

Note: When connecting long distance SFP (SFP-ZX, EZX or EZX-120), please ensure at least 5 dB attenuation between both ends. Without attenuation, excessive optical power may damage the transceivers.

Optical Fiber

	Gigabit Ethernet													
	SFP-SX	SFP-LSX	SFP-LX	SFP-LH	SFP-LHX	SFP-ZX	SFP-EZX	SFP-EZX-120	SFP-10A	SFP-10B	SFP-20A	SFP-20B	SFP-40A	SFP-40B
Wavelength	850 nm	1310 nm	1310 nm	1310 nm	1310 nm	1550 nm	1550 nm	1550 nm	TX 1310 nm, RX 1550 nm	TX 1550 nm, RX 1310 nm	TX 1310 nm, RX 1550 nm	TX 1550 nm, RX 1310 nm	TX 1310 nm, RX 1550 nm	TX 1550 nm, RX 1310 nm
Max. TX	-4 dBm	-1 dBm	-3 dBm	-2 dBm	1 dBm	5 dBm	5 dBm	3 dBm	-3 dBm		-2 dBm		2 dBm	
Min. TX	-9.5 dBm	-9 dBm	-9.5 dBm	-8 dBm	-4 dBm	0 dBm	0 dBm	-2 dBm	-9 dBm		-8 dBm		-3 dBm	
RX Sensitivity	-18 dBm	-19 dBm	-20 dBm	-23 dBm	-24 dBm	-24 dBm	-30 dBm	-33 dBm	-21 dBm		-23 dBm		-23 dBm	
Link Budget	8.5 dB	10 dB	10.5 dB	15 dB	20 dB	24 dB	30 dB	31 dB	12 dB		15 dB		20 dB	
Typical Distance	550 m ^a	2 km ^b	10 km ^c	30 km ^c	40 km ^c	80 km ^c	110 km ^c	120 km ^c	10 km ^c		20 km ^c		40 km ^c	
Saturation	0 dBm	-3 dBm	-3 dBm	-3 dBm	-3 dBm	-3 dBm	-3 dBm	-8 dBm	-1 dBm		-1 dBm		-1 dBm	

a. 50/125 μm, 400 MHz-km or 62.5/125 μm, 500 MHz-km @ 850 nm multi-mode fiber optic cable

b. 62.5/125 μm, 750 MHz-km @ 1310 nm multi-mode fiber optic cable

c. 9/125 μm single-mode fiber optic cable

Note: The actual communication distance depends on many factors, including connector loss, cable deployment, and the age of the cabling system. We recommend doing a link budget analysis and reserving a 3 dB margin for such factors.

Environmental Limits

Operating Temperature:

Standard Models: 0 to 60°C (32 to 140°F)

Wide Temp. Models: -40 to 85°C (-40 to 185°F)

Storage Temperature: -40 to 85°C (-40 to 185°F)

Ambient Relative Humidity: 5 to 95% (non-condensing)

Standards and Certifications

Safety: UL 60950-1, TÜV

Warranty

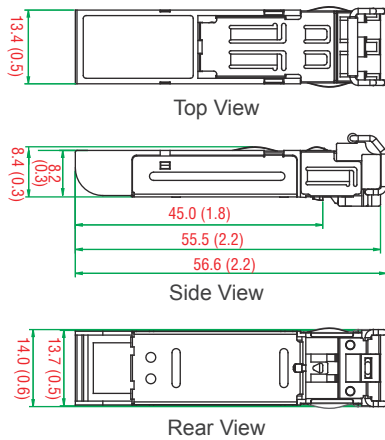
Warranty Period: 5 years

Details: See www.moxa.com/warranty

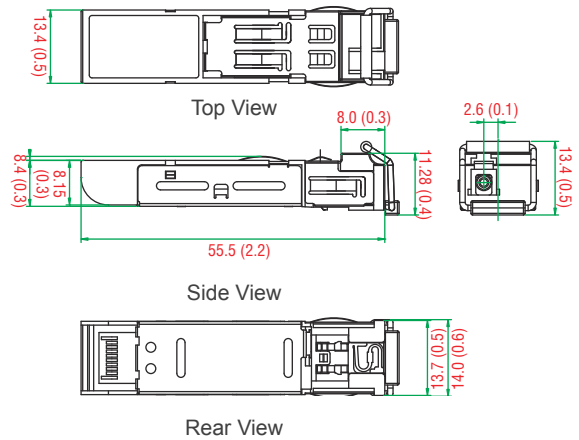
Dimensions

Unit: mm (inch)

SFP-1G Series



SFP-1G Series (WDM Type)



Ordering Information

SFP Modules

Available Models		Port Interface							
Standard Temperature (0 to 60°C)	Wide Temperature (-40 to 85°C)	1000BaseSX, LC Connector, 0.5 km	1000BaseLSX, LC Connector, 2 km	1000BaseLX, LC Connector, 10 km	1000BaseLH, LC Connector, 30 km	1000BaseLHX, LC Connector, 40 km	1000BaseZX, LC Connector, 80 km	1000BaseZX, LC Connector, 110 km	1000BaseZX, LC Connector, 120 km
SFP-1GSXLC	SFP-1GSXLC-T*	1	-	-	-	-	-	-	-
SFP-1GLSXL	SFP-1GLSXL-T	-	1	-	-	-	-	-	-
SFP-1GLXL	SFP-1GLXL-T	-	-	1	-	-	-	-	-
SFP-1GLHL	SFP-1GLHL-T	-	-	-	1	-	-	-	-
SFP-1GLHLX	SFP-1GLHLX-T	-	-	-	-	1	-	-	-
SFP-1GZXL	SFP-1GZXL-T	-	-	-	-	-	1	-	-
SFP-1GEZXL	-	-	-	-	-	-	-	1	-
SFP-1GEZXL-120	-	-	-	-	-	-	-	-	1

*SFP-1GSXLC-T: -20 to 75°C operating temperature

WDM-type (BiDi) SFP Modules

Available Models		Port Interface					
Standard Temperature (0 to 60°C)	Wide Temperature (-40 to 85°C)	1000BaseSFP, LC Connector, 10 km		1000BaseSFP, LC Connector, 20 km		1000BaseSFP, LC Connector, 40 km	
		TX 1310 nm, RX 1550 nm	TX 1550 nm, RX 1310 nm	TX 1310 nm, RX 1550 nm	TX 1550 nm, RX 1310 nm	TX 1310 nm, RX 1550 nm	TX 1550 nm, RX 1310 nm
SFP-1G10ALC	SFP-1G10ALC-T	1	-	-	-	-	-
SFP-1G10BLC	SFP-1G10BLC-T	-	1	-	-	-	-
SFP-1G20ALC	SFP-1G20ALC-T	-	-	1	-	-	-
SFP-1G20BLC	SFP-1G20BLC-T	-	-	-	1	-	-
SFP-1G40ALC	SFP-1G40ALC-T	-	-	-	-	1	-
SFP-1G40BLC	SFP-1G40BLC-T	-	-	-	-	-	1

Available Models

The SFP-1G series modules can be used with the following products:

ICS-G7850A/G7852A series, ICS-G7850/G7852 series, ICS-G7750A/G7752A series, ICS-G7750/G7752 series, IM-G7000A-4GSFP, IM-G7000-4GSFP, ICS-G7826A/G7828A series, ICS-G7826/G7828 series, ICS-G7526A/G7528A series, ICS-G7526/G7528 series, IKS-G6524A/G6824A series, IKS-G6524/G6824 series, IKS-6726A/6728A series, IKS-6726/6728 series, IM-2GSFP, EDS-611/619 series, EDS-G516E series, EDS-G512E series, EDS-G509 series, EDS-518A series, EDS-510A series, EDS-510E series, EDS-G308 series, EDS-210A series, IKS-6728A-8PoE series, IKS-6728-8PoE series, EDS-P510A-8PoE series, EDS-P510 series, EDS-G205A-4PoE series, PM-7200-2G/4G series, PT-G7509 series, IMC-101G series, EDR-G903/G902 series, EDR-810 series

Package Checklist

- SFP-1G module
- Warranty card

SFP-1FE Series

1-port Fast Ethernet SFP modules



- > IEEE 802.3u compliant
- > Differential PECL inputs and outputs
- > TTL signal detect indicator
- > Hot pluggable LC duplex connector
- > Class 1 laser product; complies with EN 60825-1



Specifications

Interface

Ethernet Ports: 1

Connectors: Duplex LC Connector

Optical Fiber

	Fast Ethernet		
	SFP-M	SFP-S	SFP-L
Wavelength	1300 nm	1310 nm	1550 nm
Max. TX	-8 dBm	0 dBm	0 dBm
Min. TX	-18 dBm	-5 dBm	-5 dBm
RX Sensitivity	-34 dBm	-34 dBm	-34 dBm
Link Budget	26 dB	29 dB	29 dB
Typical Distance	4 km ^a	40 km ^b	80 km ^b
Saturation	0 dBm	-3 dBm	-3 dBm

a. 50/125 μm or 62.5/125 μm, 800 MHz * km @ 1300 nm multi-mode fiber optic cable
 b. 9/125 μm single-mode fiber optic cable

Environmental Limits

Operating Temperature: -40 to 85°C (-40 to 185°F)

Storage Temperature: -40 to 85°C (-40 to 185°F)

Ambient Relative Humidity: 5 to 95% (non-condensing)

Standards and Certifications

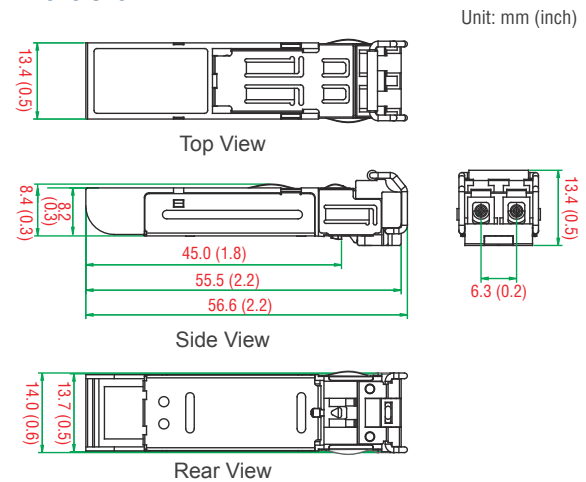
Safety: UL 60950-1, TÜV

Warranty

Warranty Period: 5 years

Details: See www.moxa.com/warranty

Dimensions



Ordering Information

Available Models	Port Interface			
	Wide Temperature (-40 to 85°C)	100BaseFX, Multi-mode, LC Connector, 4 km	100BaseFX, Single-mode, LC Connector, 40 km	100BaseFX, Single-mode, LC Connector, 80 km
SFP-1FEMLC-T		1	-	-
SFP-1FESLC-T		-	1	-
SFP-1FELLC-T		-	-	1

Available Models

The SFP-1FE series modules can be used with the following products:

IM-G7000A-4GSFP, IM-G7000-4GSFP, ICS-G7826A/ G7828A series, ICS-G7826/G7828 series, ICS-G7526A/G7528A series, ICS-G7526/G7528 series, IKS-G6524A/G6824A series, IKS-G6524/G6824 series, IKS-6726A/6728A series, IKS-6726/6728 series, IM-6700A-8SFP, IM-6700-8SFP, EDS-611/619 series, EDS-G516E series, EDS-G512E series, EDS-G509 series, EDS-510E series, EDS-G308-2SFP, EDS-210A series, IKS-6728A-8PoE series, IKS-6728-8PoE series, EDS-P510A-8PoE series, EDS-P510 series, PM-7200-8SFP, EDR-G903/G902 series

Package Checklist

- SFP-1FE module
- Warranty card