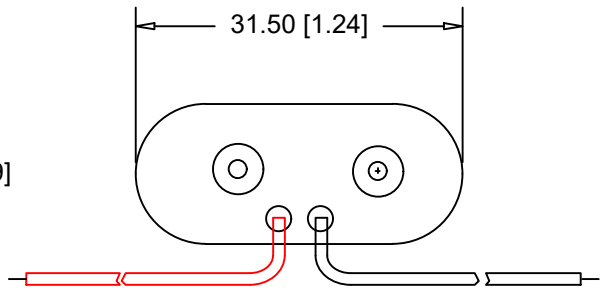
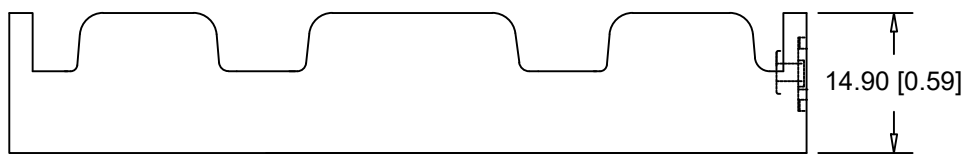
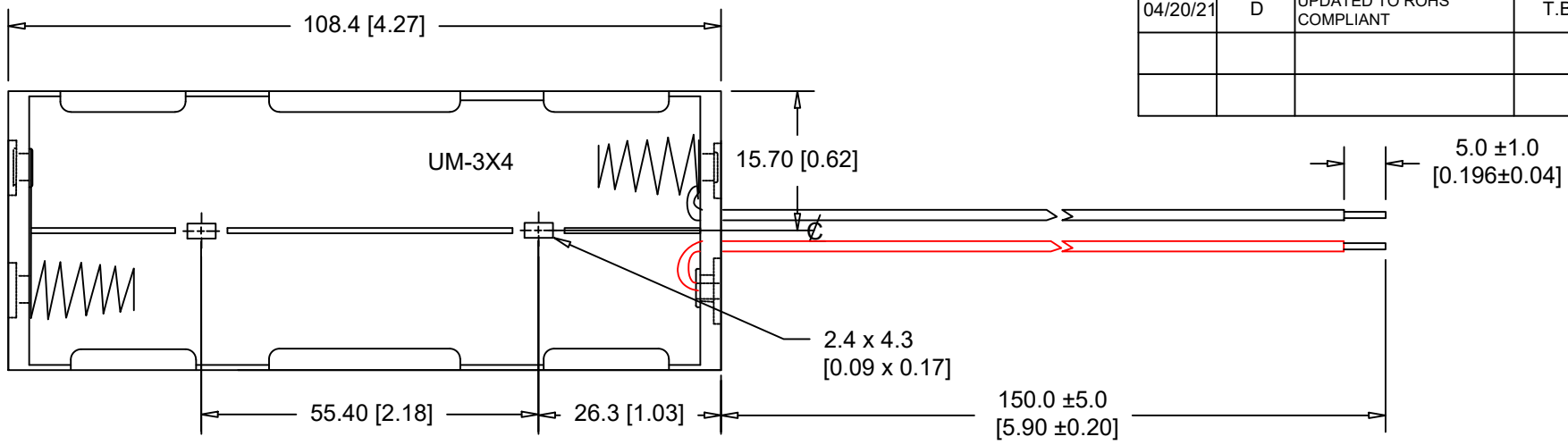



Date	SYM	REVISION RECORD	AUTH	DR.	CK.
05/12/17	C	DIM. 108.4 WAS 108.46 DIM. 150.0 WAS 152.4 DIM. 5.0 WAS 3.18	T.B.	B.S.	
04/20/21	D	UPDATED TO ROHS COMPLIANT	T.B.	B.S.	



SPECIFICATIONS :

Plastic material - polypropylene
 Flammability Rating-UL94 HB, UL File No. E216959
 Temperature Range: -10°C to +100°C
 Springs - nickel plated spring steel
 Wire - 26 AWG, UL1007, CSA - TR-64, 300V, 80° C.
 Rivets - Brass, nickel plated
 Contact Resistance: Under 50mΩ for +/- contacts per EIA-540J000
 ROHS COMPLIANT

Tolerance (Except as noted)	 Memory Protection Devices, Inc 200 Broad Hollow Road, Farmingdale, New York 11735		
decimal ±.5 (.020)	Scale	Drawn By B.S.	
Fractional ± .8 (.030)	Title FOUR "AA" CELL HOLDER WITH WIRE LEADS		
Angular ± 3°	Date 04/20/21	Drawing Number BH34AAW	
		Approved By T.B.	