

- NOTES:
1. MATERIALS: HOUSING - LIQUID CRYSTAL POLYMER (LCP)  
GLASS-FILLED, UL94V-0  
TERMINALS - HIGH PERFORMANCE COPPER ALLOY
  2. FINISH: 30 $\mu$  MIN GOLD IN CONTACT AREA.  
SELECTIVE TIN ON PCB TAILS. NICKEL OVERALL.
  3. REFER TO MOLEX PRODUCT SPECIFICATION PS-76060-999  
FOR PERFORMANCE SPECIFICATIONS AND ADDITIONAL PCB INFORMATION.
  4. THIS PART CONFORMS TO CLASS B REQUIREMENTS OF  
MOLEX COSMETIC SPEC PS-45499-002.
  5. PACKAGE PER: PK-70873-7707.
  6. SEE SHEETS 2 & 3 FOR PART NUMBERS AND BOARD RELATIONSHIPS.
  7. REFER TO MOLEX SALES DRAWING SD-76990-001 FOR THE MATING RECEPTACLES.
  8. REFER TO MOLEX PCB ROUTING GUIDE AS-76060-990 FOR ANTIPAD AND  
ROUTING RECOMMENDATIONS.
  9. "THESE DIMENSIONS REPRESENT THE AREA NEEDED TO ACCOMODATE CONNECTOR  
INSERTION AND REPAIR ON THE PC BOARD. THIS IS REFERED TO AS THE  
"CONNECTOR KEEP OUT ZONE" AND DOES NOT REPRESENT THE ACTUAL PREIMETER  
OF THE CONNECTOR. WHEN LAYING OUT A PC BOARD FOR CONNECTORS STACKED  
TOGETHER, USE A 1.9mm PROGRESSION."

THIS DRAWING CONTAINS INFORMATION THAT IS PROPRIETARY TO MOLEX ELECTRONIC TECHNOLOGIES, LLC AND SHOULD NOT BE USED WITHOUT WRITTEN PERMISSION																	
DIMENSION UNITS		SCALE		CURRENT REV DESC: MIGRATED TO NX													
mm		4:1		<p><b>molex</b></p> <p>IMPACT 5 PAIR ORTHO MATE UNGUIDED HEADER ASSY SALES DRAWING</p> <p>PRODUCT CUSTOMER DRAWING</p> <table border="1"> <tr> <td>DOCUMENT NUMBER</td> <td>DOC TYPE</td> <td>DOC PART</td> <td>REVISION</td> </tr> <tr> <td>SD-76989-0001</td> <td>PSD</td> <td>001</td> <td>A</td> </tr> </table>						DOCUMENT NUMBER	DOC TYPE	DOC PART	REVISION	SD-76989-0001	PSD	001	A
DOCUMENT NUMBER	DOC TYPE	DOC PART	REVISION														
SD-76989-0001	PSD	001	A														
GENERAL TOLERANCES (UNLESS SPECIFIED)																	
ANGULAR TOL $\pm 0.5^\circ$																	
4 PLACES $\pm$																	
3 PLACES $\pm$																	
2 PLACES $\pm 0.13$																	
1 PLACE $\pm 0.25$																	
0 PLACES $\pm$																	
DRAFT WHERE APPLICABLE MUST REMAIN WITHIN DIMENSIONS				THIRD ANGLE PROJECTION		DRAWING		SERIES									
		C-SIZE		76989		MATERIAL NUMBER		CUSTOMER									
						SEE CHART		GENERAL MARKET									
						SHEET NUMBER		1 OF 3									

DOCUMENT STATUS	P1	RELEASE DATE	2019/01/10	07:24:06
-----------------	----	--------------	------------	----------

# PART NUMBER CHART

MATERIAL NUMBER	# OF COLUMNS	# OF DIFF PAIR
76989-112*	10	50

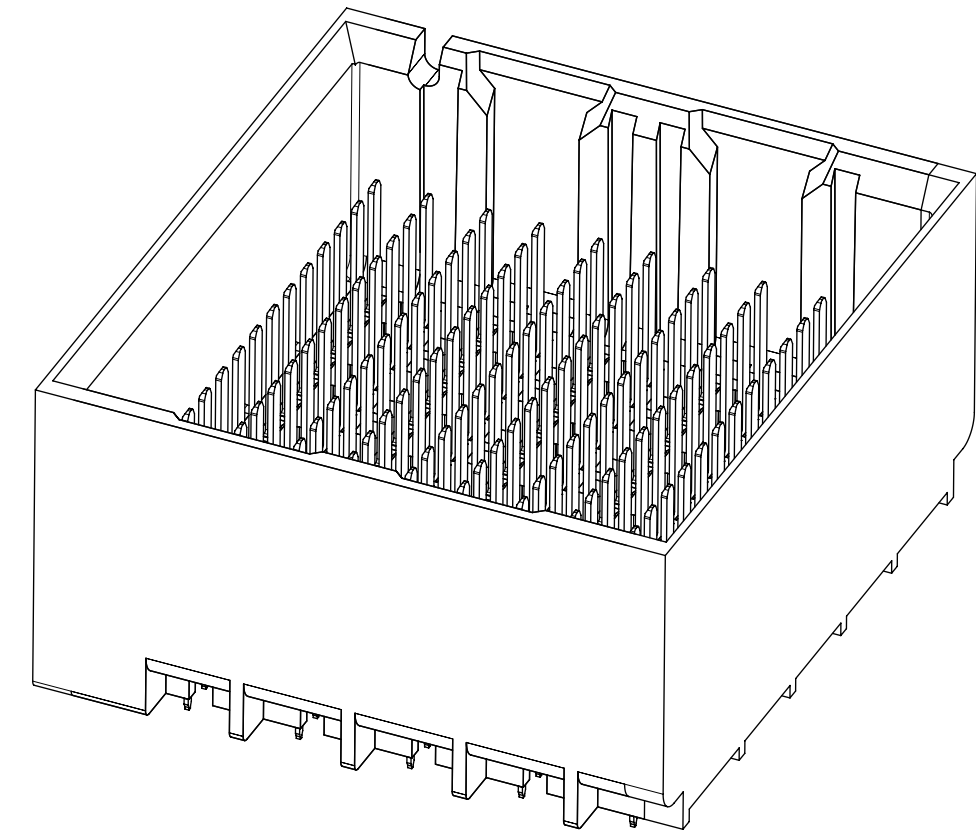
# PART NUMBER LOGIC

76989-112\*

MODULE TYPE  
1 = UNGUIDED, TIN

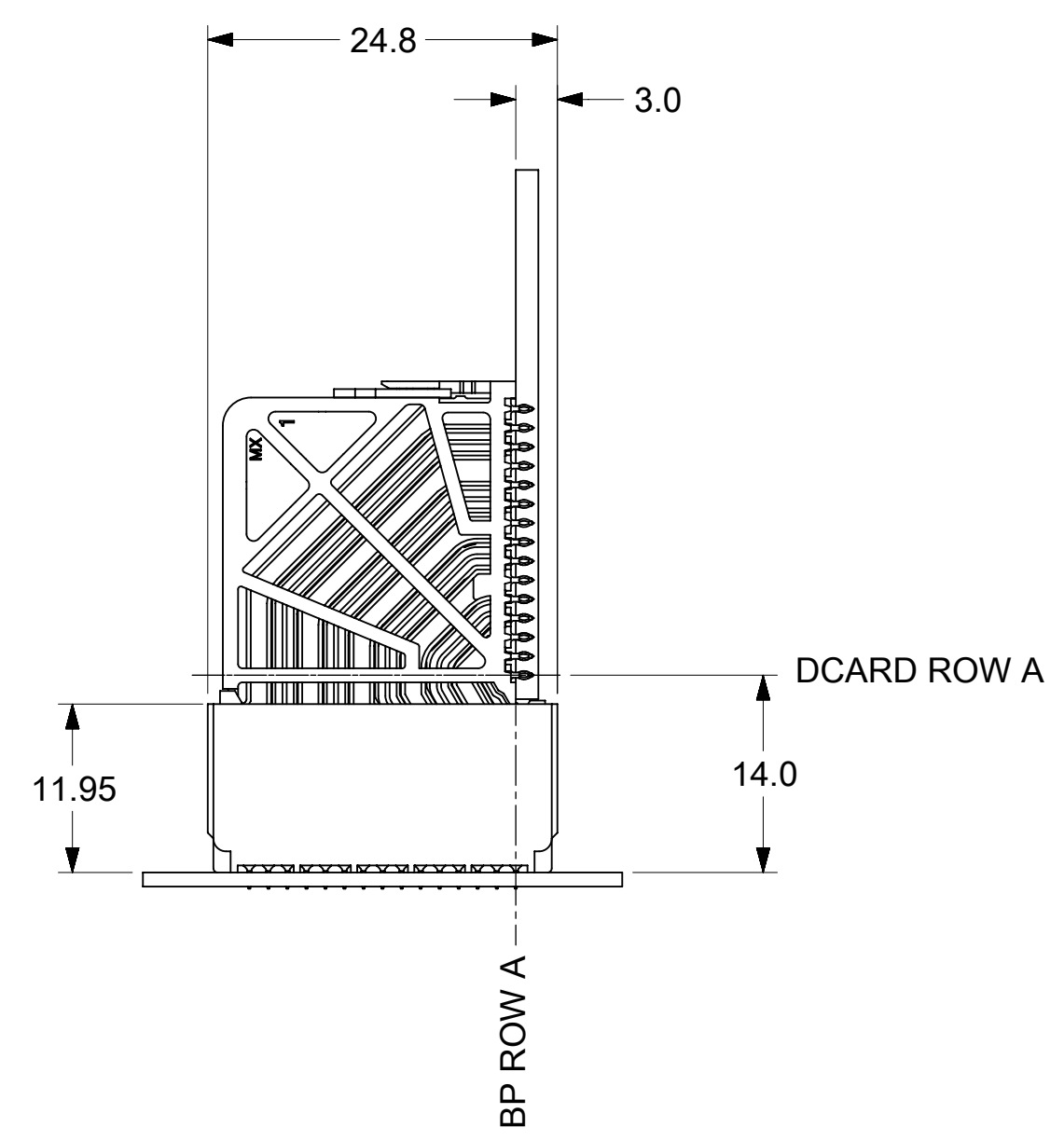
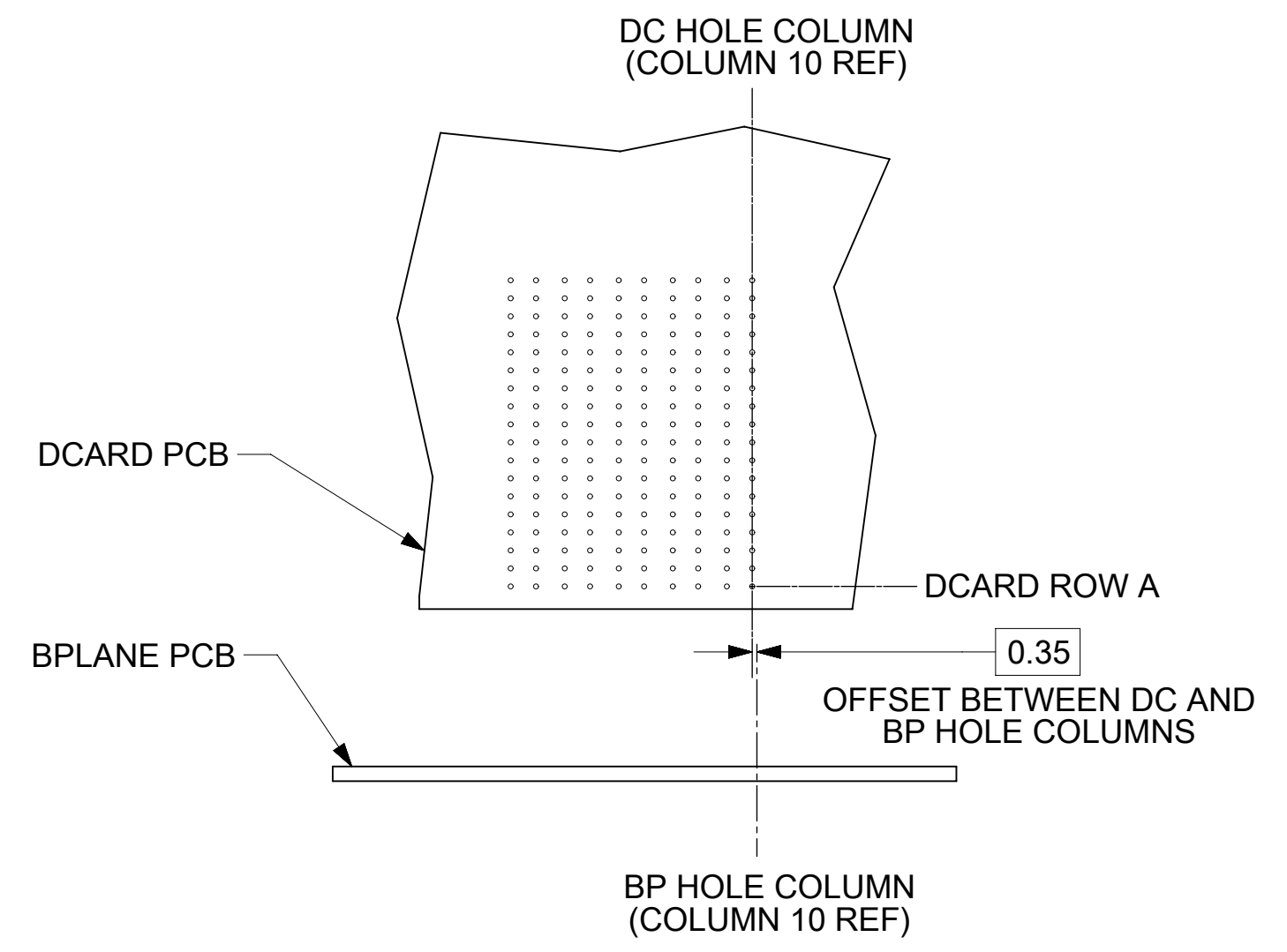
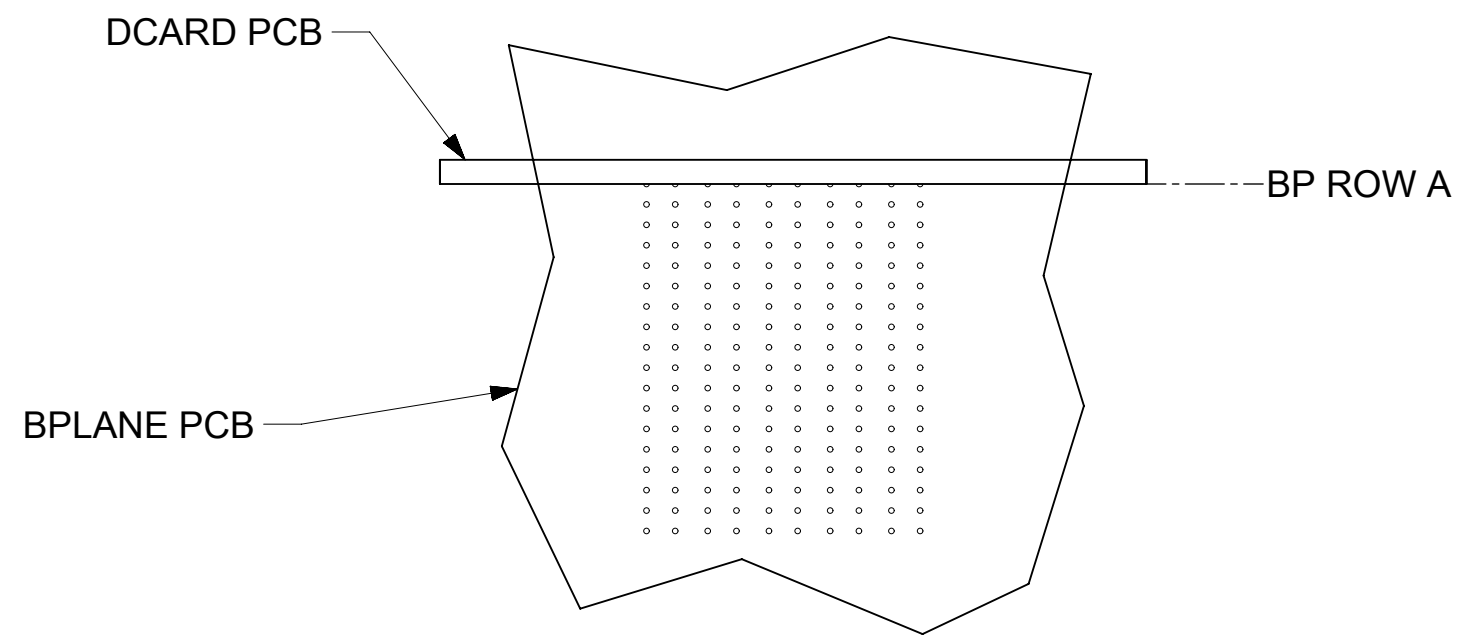
# OF COLUMNS  
1 = 10 COLUMN

P=PIN LENGTH  
4 = 4.90 (0.46 PTH)  
5 = 5.50 (0.46 PTH)  
7 = 4.90 (0.39 PTH)  
8 = 5.50 (0.39 PTH)



THIS DRAWING CONTAINS INFORMATION THAT IS PROPRIETARY TO MOLEX ELECTRONIC TECHNOLOGIES, LLC AND SHOULD NOT BE USED WITHOUT WRITTEN PERMISSION									
DIMENSION UNITS		SCALE		CURRENT REV DESC: MIGRATED TO NX					
mm		4:1							
GENERAL TOLERANCES (UNLESS SPECIFIED)				EC NO: 610093				IMPACT 5 PAIR ORTHO MATE UNGUIDED HEADER ASSY SALES DRAWING PRODUCT CUSTOMER DRAWING	
ANGULAR TOL ± 0.5°				DRWN: SKRISHNAMURT 2018/09/18					
4 PLACES ±				CHK'D: HLG OH 2018/12/11					
3 PLACES ±				APPR: HLG OH 2019/01/10				DOCUMENT NUMBER <b>SD-76989-0001</b>	
2 PLACES ± 0.13				INITIAL REVISION:					
1 PLACE ± 0.25				DRWN: JMENDOZA 2012/08/24				DOC TYPE	
0 PLACES ±				APPR: JMENDOZA 2012/12/03				DOC PART	
DRAFT WHERE APPLICABLE MUST REMAIN WITHIN DIMENSIONS		THIRD ANGLE PROJECTION		DRAWING		SERIES		REVISION	
				C-SIZE		76989		PSD 001 A	
DOCUMENT STATUS		P1		RELEASE DATE		2019/01/10 07:24:06		MATERIAL NUMBER SEE CHART	
								CUSTOMER GENERAL MARKET	
								SHEET NUMBER 2 OF 3	

# IMPACT 5 PAIR ORTHO MATE BOARD RELATIONSHIPS



THIS DRAWING CONTAINS INFORMATION THAT IS PROPRIETARY TO MOLEX ELECTRONIC TECHNOLOGIES, LLC AND SHOULD NOT BE USED WITHOUT WRITTEN PERMISSION											
DIMENSION UNITS		SCALE		CURRENT REV DESC: MIGRATED TO NX				<b>molex</b>			
mm		2:1									
GENERAL TOLERANCES (UNLESS SPECIFIED)				EC NO: 610093 DRWN: SKRISHNAMURT 2018/09/18 CHK'D: HLG0H 2018/12/11 APPR: HLG0H 2019/01/10 INITIAL REVISION: DRWN: JMENDOZA 2012/08/24 APPR: JMENDOZA 2012/12/03				PRODUCT CUSTOMER DRAWING			
ANGULAR TOL		± 0.5°						DOCUMENT NUMBER		DOC TYPE   DOC PART   REVISION	
4 PLACES		±						SD-76989-0001		PSD   001   A	
3 PLACES		±						MATERIAL NUMBER		CUSTOMER	
2 PLACES		± 0.13						SEE CHART		GENERAL MARKET	
1 PLACE		± 0.25		SHEET NUMBER		3 OF 3					
0 PLACES		±		THIRD ANGLE PROJECTION		DRAWING					
DRAFT WHERE APPLICABLE MUST REMAIN WITHIN DIMENSIONS		THIRD ANGLE PROJECTION		SERIES		C-SIZE					
				76989							

DOCUMENT STATUS	P1	RELEASE DATE	2019/01/10 07:24:06
-----------------	----	--------------	---------------------