

# Reference Manual

---

## VL-1260

12-Bit Analog Input Card  
for the STD Bus

**STD**



**VERSALOGIC**  
CORPORATION



---

# **VL-1260**

12-Bit Analog Input Card  
for the STD Bus



**Model VL-1260**  
12-Bit Analog Input Card for the STD Bus  
**REFERENCE MANUAL**

VL-1260 Rev. 2.01  
Doc. Rev. 09/29/94

**VersaLogic Corporation**  
3888 Stewart Rd. • Eugene, OR 97402

(503) 485-8575  
Fax (503) 485-5712

Contents Copyright 1994  
All Rights Reserved

**NOTICE:**

Although every effort has been made to ensure this documentation is error-free, VersaLogic makes no representations or warranties with respect to this product and specifically disclaims any implied warranties of merchantability or fitness for any particular purpose.

VersaLogic reserves the right to revise this product and associated documentation at any time without obligation to notify anyone of such changes.



M1260



# Table of Contents

---

<b>1. Overview</b>	
Introduction .....	1-1
Features .....	1-1
Specifications .....	1-2
<b>2. Configuration</b>	
Jumper Options .....	2-1
VL-1260 Jumper Block Locations .....	2-2
VL-1260 Jumper Options .....	2-3
Board Addressing .....	2-4
8-Bit I/O Addressing .....	2-5
10-Bit I/O Addressing .....	2-6
16-Bit I/O Addressing .....	2-7
IOEXP Signal .....	2-8
16-Bit Memory Addressing .....	2-9
MEMEX Signal .....	2-10
Analog Input Configuration .....	2-11
Input Mode .....	2-11
Single Ended Mode .....	2-11
Pseudo-Differential Mode .....	2-12
Differential Mode .....	2-12
Current Loop Mode .....	2-13
Input Voltage Range .....	2-14
Input Gain .....	2-14
Settling Time .....	2-14
Input Data Format .....	2-15
<b>3. Installation</b>	
Handling .....	3-1
Installation .....	3-1
Priority Chain .....	3-1
Signal Levels .....	3-1
External Connections .....	3-2
Mating Connectors .....	3-2
Physical Pin Locations .....	3-2
Connector Pinout .....	3-3
<b>4. Registers</b>	
Introduction .....	4-1
Register Mapping .....	4-1
Analog Input Registers .....	4-2
Input Channel Select Register .....	4-2
Input Data Low Register .....	4-3
Input Data High Register .....	4-3
Input Data Representation .....	4-4
Input Binary Format (12-Bit Resolution) .....	4-4
Input Offset Binary Format (12-Bit Resolution) .....	4-5
Input Two's Complement Format (12-Bit Resolution) .....	4-6

## Table of Contents

<b>5. Operation</b>	
Polled Mode Analog Input .....	5-1
<b>6. Software Example</b>	
Polled Mode Analog Input .....	6-1
<b>7. Calibration</b>	
Input Calibration .....	7-1
<b>8. Reference</b>	
STD 80 Bus Pinout .....	8-1
VL-1260 Parts Placement Diagram .....	8-2
VL-1260 Schematic .....	8-3
VL-1260 Parts List .....	8-5



# Overview

---

This manual details the installation and operation of VersaLogic's VL-1260 analog input card. This card interfaces directly with external analog voltages and provides digital readings to the STD Bus with 12-bit accuracy.

## Introduction

---

In its standard configuration the VL-1260 provides 16 single-ended, or 8 differential analog input channels. An optional expansion kit increases the number of input channels to 32 single-ended, or 16 differential inputs. It features 12-bit resolution, 25  $\mu$ s conversion time, and an on-board DC to DC converter (requires +5 volt supply only). The board operates with an input range 0 to +10, or  $\pm$ 10 volts with an adjustable gain of 1 to 1000. It can accommodate input signals in a single-ended, differential, or pseudo-differential configuration.

Each input channel can be read as desired by the system CPU. The board is capable of 25,000 samples per second throughput at a gain of 1 to 150.

The VL-1260 is plug-in compatible with the Analog Devices RTI-1260 card.

## Features

---

- 16 single-ended or 8 differential input channels (expandable to 32 s.e./16 Diff.).
- 12-bit (4096 counts) resolution.
- 25  $\mu$ s input conversion time.
- 25,000 samples per send throughput.
- 0 to +10, or  $\pm$ 10 volt input ranges.
- Input gain of 1 to 1000.
- 16-bit memory or I/O addressing.
- MEMEX and IOEXP supported.
- +5 volt single supply operation.
- Plug-in replacement for Analog Devices RTI-1260.

## **Specifications**

Specifications are typical at 25°C with 5.0V supply unless otherwise noted.

Number of Channels: 16 single-ended or 8 differential

Range: 0 to +10V, ±10V

Resolution: 12 bits (4096 counts)

Conversion Time: 25 µs + settling time

Throughput:

25,000 channels/sec (gain < 150)

20,000 channels/sec (gain = 150 to 300)

11,000 channels/sec (gain = 1000)

Overvoltage Protection:

±35V with power on

±20V with power off

Impedance: .6 x 10<sup>8</sup> Ω min.

Data Format: Binary, offset binary, or two's complement

Common Mode Voltage (CMV): ±10V min

Common Mode Rejection (CMR): 78 dB

Linearity: ±½ LSB

Differential Nonlinearity: ±½ LSB

Temperature Coefficient:

Gain ±30 ppm/°C of FSR (gain = 1)

Gain ±100 ppm/°C of FSR (gain = 1000)

Offset ±10 ppm/°C of FSR (gain = 1)

Offset ±100 ppm/°C of FSR (gain = 1000)

Addressing: 16 bits + MEMEX or IOEXP

Mapping: 8-byte memory or I/O block on any 8-byte boundary

Size: Meets all STD 32 Bus mechanical specifications

Storage Temperature: -40° to +75 °C

Free Air Operating Temperature: 0° to +65 °C

Power Requirements:

5V ±5% @ 225 ma typ.

Bus Compatibility:

STD 80: Full compliance, all bus speeds

STD Z80: Full compliance, all bus speeds

STD 32: I/O Slave, SA8

# Configuration

---

## Jumper Options

Various options available on the VL-1260 cards are selected using removable jumper blocks (shorting plugs). Features are selected or deselected by installing or removing the jumpers as noted. The terms "In" or "Jumpered" are used to indicate an installed plug; "Out" or "Open" are used to indicate a removed plug.

Figure 2-1 shows the jumper block locations on the VL-1260 card. The figures indicate the position of the jumpers as shipped from the factory.

## VL-1260 Jumper Block Locations

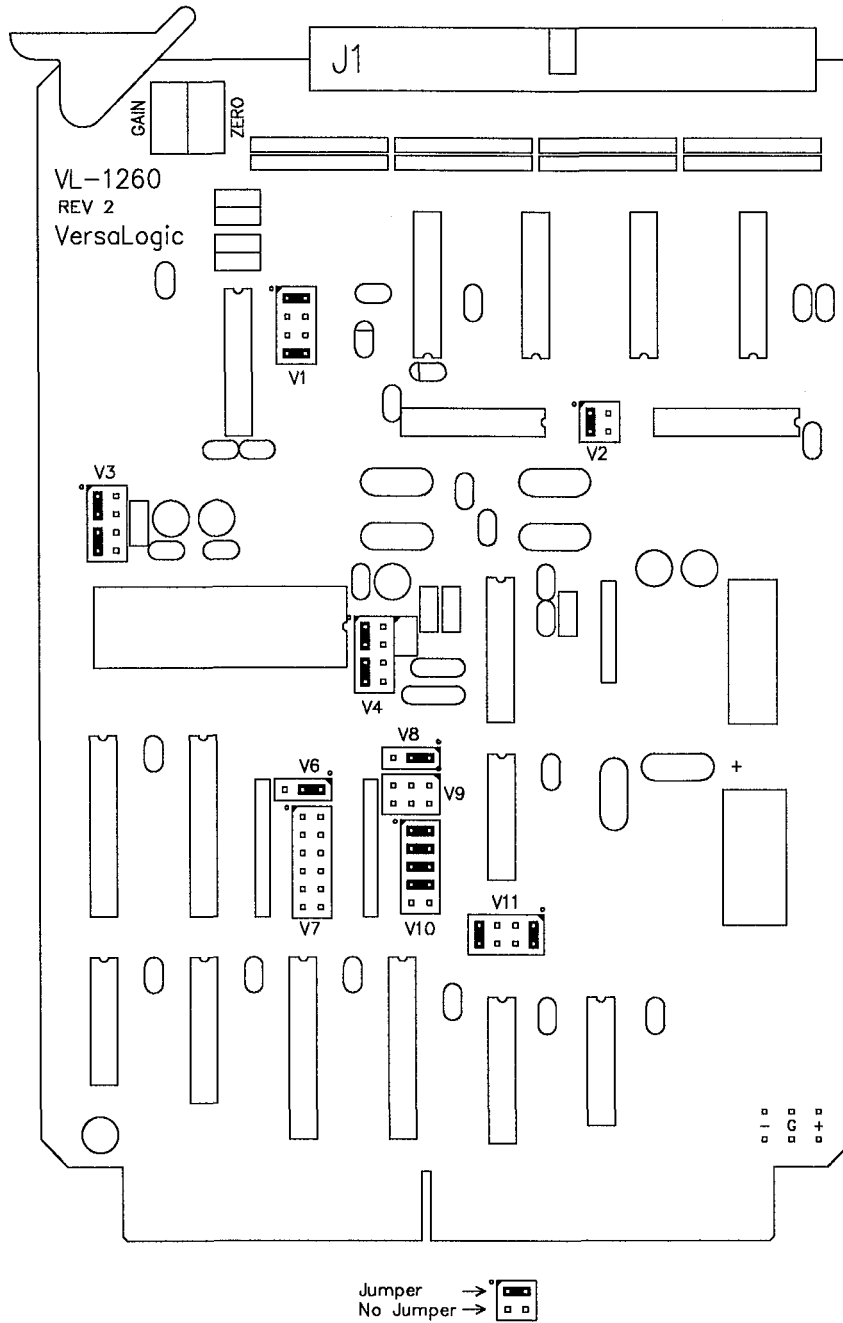


Figure 2-1. Jumper Block Locations for VL-1260

## VL-1260 Jumper Options

Jumper Block	Description	As Shipped	Page
V1 & V2	Input Mode	S.E.	2-11
	V1 <sub>1-2</sub> = In, V1 <sub>3-4</sub> = Out, V1 <sub>5-6</sub> = Out, V1 <sub>7-8</sub> = In, V2 <sub>1-3</sub> = In, V2 <sub>2-4</sub> = Out	– Single Ended	
	V1 <sub>1-2</sub> = Out, V1 <sub>3-4</sub> = In, V1 <sub>5-6</sub> = Out, V1 <sub>7-8</sub> = In, V2 <sub>1-3</sub> = In, V2 <sub>2-4</sub> = Out	– Pseudo-Differential	
	V1 <sub>1-2</sub> = Out, V1 <sub>3-4</sub> = Out, V1 <sub>5-6</sub> = In, V1 <sub>7-8</sub> = Out, V2 <sub>1-3</sub> = Out, V2 <sub>2-4</sub> = In	– Differential	
V3	Input Voltage Range Select	±10V	2-14
	V3 <sub>1-3</sub> = In, V3 <sub>2-4</sub> = Out, V3 <sub>5-7</sub> = In, V3 <sub>6-8</sub> = Out	– ±10V	
	V3 <sub>1-3</sub> = Out, V3 <sub>2-4</sub> = In, V3 <sub>5-7</sub> = Out, V3 <sub>6-8</sub> = In	– 0 to 10V	
V4	Input Data Format	2's Comp.	2-15
	V4 <sub>1-3</sub> = In, V4 <sub>2-4</sub> = Out, V4 <sub>5-7</sub> = In, V4 <sub>6-8</sub> = Out	– Two's Complement	
	V4 <sub>1-3</sub> = Out, V4 <sub>2-4</sub> = In, V4 <sub>5-7</sub> = Out, V4 <sub>6-8</sub> = In	– Binary / Offset Binary	
V5	External Trigger – Contact Factory		
V6	MEMEX Select	Ignore	2-5
	V6 <sub>1-2</sub> = In, V6 <sub>2-3</sub> = Out	– Ignore MEMEX	
	V6 <sub>1-2</sub> = Out, V6 <sub>2-3</sub> = Out	– Enable on MEMEX high	
	V6 <sub>1-2</sub> = Out, V6 <sub>2-3</sub> = In	– Enable on MEMEX low	
V7	Board Address (A10 – A15)	FF08H	2-5
	V7 <sub>1-2</sub> = In – A15 decoded Low	V7 <sub>1-2</sub> = Out – A15 decoded High	
	V7 <sub>3-4</sub> = In – A14 decoded Low	V7 <sub>3-4</sub> = Out – A14 decoded High	
	V7 <sub>5-6</sub> = In – A13 decoded Low	V7 <sub>5-6</sub> = Out – A13 decoded High	
	V7 <sub>7-8</sub> = In – A12 decoded Low	V7 <sub>7-8</sub> = Out – A12 decoded High	
	V7 <sub>9-10</sub> = In – A11 decoded Low	V7 <sub>9-10</sub> = Out – A11 decoded High	
	V7 <sub>11-12</sub> = In – A10 decoded Low	V7 <sub>11-12</sub> = Out – A10 decoded High	
V8	IOEXP Select	Ignore	2-5
	V8 <sub>1-2</sub> = In, V8 <sub>2-3</sub> = Out	– Ignore IOEXP	
	V8 <sub>1-2</sub> = Out, V8 <sub>2-3</sub> = Out	– Enable on IOEXP high	
	V8 <sub>1-2</sub> = Out, V8 <sub>2-3</sub> = In	– Enable on IOEXP low	
V9	Board Address (A8, A9) / 8-Bit Mode Selector	FF08H	2-5
	V9 <sub>1-3</sub> = In, V9 <sub>2-4</sub> = In, V9 <sub>3-5</sub> = Out, V9 <sub>4-6</sub> = Out	– 8-Bit Mode (ignore A8 & A9)	
	V9 <sub>1-3</sub> = Out, V9 <sub>2-4</sub> = Out, V9 <sub>3-5</sub> = Out, V9 <sub>4-6</sub> = Out	– 10- or 16-Bit Decoding (A8 = High, A9 = High)	
	V9 <sub>1-3</sub> = Out, V9 <sub>2-4</sub> = Out, V9 <sub>3-5</sub> = In, V9 <sub>4-6</sub> = Out	– 10- or 16-Bit Decoding (A8 = High, A9 = Low)	
	V9 <sub>1-3</sub> = Out, V9 <sub>2-4</sub> = Out, V9 <sub>3-5</sub> = Out, V9 <sub>4-6</sub> = In	– 10- or 16-Bit Decoding (A8 = Low, A9 = High)	
	V9 <sub>1-3</sub> = Out, V9 <sub>2-4</sub> = Out, V9 <sub>3-5</sub> = In, V9 <sub>4-6</sub> = In	– 10- or 16-Bit Decoding (A8 = Low, A9 = Low)	
V10	Board Address (A3 – A7)	FF08H	2-5
	V10 <sub>1-2</sub> = In – A7 decoded Low	V10 <sub>1-2</sub> = Out – A7 decoded High	
	V10 <sub>3-4</sub> = In – A6 decoded Low	V10 <sub>3-4</sub> = Out – A6 decoded High	
	V10 <sub>5-6</sub> = In – A5 decoded Low	V10 <sub>5-6</sub> = Out – A5 decoded High	
	V10 <sub>7-8</sub> = In – A4 decoded Low	V10 <sub>7-8</sub> = Out – A4 decoded High	
	V10 <sub>9-10</sub> = In – A3 decoded Low	V10 <sub>9-10</sub> = Out – A3 decoded High	
V11	Address Type Select	Memory	2-5
	V11 <sub>1-2</sub> = In, V11 <sub>3-4</sub> = Out, V11 <sub>5-6</sub> = Out, V11 <sub>7-8</sub> = In	– 16-Bit Memory Mapped	
	V11 <sub>1-2</sub> = In, V11 <sub>3-4</sub> = Out, V11 <sub>5-6</sub> = In, V11 <sub>7-8</sub> = Out	– 8- or 10-Bit I/O Mapped	
	V11 <sub>1-2</sub> = Out, V11 <sub>3-4</sub> = In, V11 <sub>5-6</sub> = Out, V11 <sub>7-8</sub> = In	– 16-Bit I/O Mapped	

Figure 2-2. VL-1260 Jumper Functions

## **Board Addressing**

The VL-1260 supports 8-, 10-, and 16-bit I/O addressing, and 16-bit memory addressing. 8-bit I/O addressing is used with most 8-bit processors (Z80, 8085, 6809, etc.) which provide 256 I/O addresses. 10- or 16-bit addressing can be used with 16-bit processors (8088, 80188, 80186, etc.) to decode 1024 or 65536 I/O port addresses. 16-bit memory addressing can be used with most 8-bit processors (Z80, 8085, 6809, etc.) if desired.

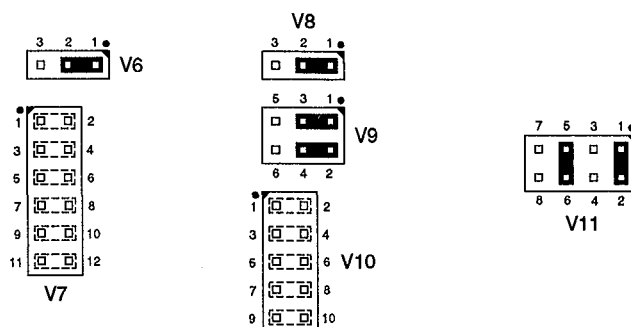
I/O addressing can be extended (capacity doubled) using the IOEXP signal which is decoded by the VL-1260. Memory addressing can be extended (capacity doubled) using the MEMEX signal which is decoded by the VL-1260.

As shipped the board is configured for 16-bit memory addressing with a board address of hex FF08. The card occupies eight consecutive addresses (i.e. FF08H to FF0FH). The VL-1260 uses three of these addresses as control, data, and status registers, the remaining five are inaccessible. See the Register Mapping section on page 4-1 for further information.

## 8-Bit I/O Addressing

To configure the board for an 8-bit I/O address refer to the figure below. Use the table to select the jumpering for the appropriate upper and lower halves of the desired starting address (i.e., “3” and “0” = hex address 30).

This jumper configuration ignores the state of the IOEXP signal in addressing the board. To use the IOEXP signal refer to page 2-8.



				Upper Digit			Lower Digit
V10 <sub>1-2</sub>	V10 <sub>3-4</sub>	V10 <sub>5-6</sub>	V10 <sub>7-8</sub>		V10 <sub>9-10</sub>		
X	X	X	X	0	X	0	
X	X	X	-	1	-	8	
X	X	-	X	2			
X	X	-	-	3			
X	-	X	X	4			
X	-	X	-	5			
X	-	-	X	6			
X	-	-	-	7			
-	X	X	X	8			
-	X	X	-	9			
-	X	-	X	A			
-	X	-	-	B			
-	-	X	X	C			
-	-	X	-	D			
-	-	-	X	E			
-	-	-	-	F			

X = Jumper installed  
 - = Jumper removed

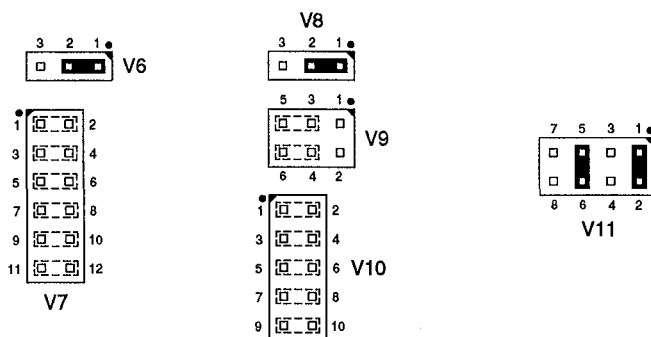
Jumper Block	Description	As Shipped
V6	MEMEX Select .....	Ignore
V7	Board Address (A10 – A15) .....	FF08H
V8	IOEXP Select .....	Ignore
V9	Board Address (A8, A9) / 8-Bit Mode Selector .....	FF08H
V10	Board Address (A3 – A7) .....	FF08H
V11	Address Type Select .....	Memory

Figure 2-3. 8-Bit I/O Address Jumpers

## 10-Bit I/O Addressing

To configure the board for a 10-bit I/O address refer to the figure below. Use the table to select the jumpering for the appropriate upper, middle, and lower hex digits of the desired starting address (i.e., “1” and “3” and “0” = hex address 130).

This jumper configuration ignores the state of the IOEXP signal in addressing the board. To use the IOEXP signal refer to page 2-8.



V9 <sub>3-5</sub>		V9 <sub>4-6</sub>		Upper Digit	V10				Middle Digit	V10 <sub>9-10</sub>		Lower Digit
X	—	X	—	0	X <sub>1-2</sub>	X <sub>3-4</sub>	X <sub>5-6</sub>	X <sub>7-8</sub>	0	X	0	
X	—	—	X	1	X	X	X	—	1	—	8	
—	X	—	—	2	X	X	—	X	2	—		
—	—	—	—	3	X	X	—	—	3	—		
					X	—	X	X	4			
					X	—	X	—	5			
					X	—	—	X	6			
					X	—	—	—	7			
					—	X	X	X	8			
					—	X	X	—	9			
					—	X	—	X	A			
					—	—	X	X	B			
					—	—	X	—	C			
					—	—	—	X	D			
					—	—	—	—	E			
					—	—	—	—	F			

X = Jumper installed  
 — = Jumper removed

Jumper Block	Description	As Shipped
V6	MEMEX Select	Ignore
V7	Board Address (A10 – A15)	FF08H
V8	IOEXP Select	Ignore
V9	Board Address (A8, A9) / 8-Bit Mode Selector	FF08H
V10	Board Address (A3 – A7)	FF08H
V11	Address Type Select	Memory

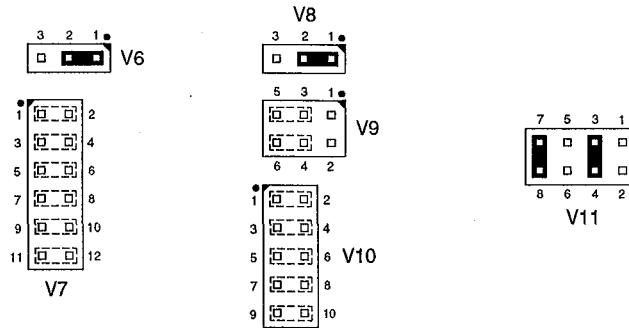
Figure 2-4. 10-Bit I/O Address Jumpers



## 16-Bit I/O Addressing

To configure the board for a 16-bit I/O address refer to the figure below. See the table to select the jumpering for the appropriate four hex digits of the desired starting address (i.e., “6” and “1” and “3” and “0” = hex address 6130).

This jumper configuration ignores the state of the IOEXP signal in addressing the board. To use the IOEXP signal refer to page 2-8.



Upper Digit				Second Digit				Third Digit				Lower Digit				
V7 <sub>1-2</sub>	V7 <sub>3-4</sub>	V7 <sub>5-6</sub>	V7 <sub>7-8</sub>	V7 <sub>9-10</sub>	V7 <sub>11-12</sub>	V9 <sub>3-5</sub>	V9 <sub>4-6</sub>	V10 <sub>1-2</sub>	V10 <sub>3-4</sub>	V10 <sub>5-6</sub>	V10 <sub>7-8</sub>	V10 <sub>9-10</sub>				
X	X	X	X	0	X	X	X	X	X	X	X	0	X	0		
X	X	X	-	1	X	X	X	-	1	X	X	X	-	1	-	8
X	X	-	X	2	X	X	-	X	2	X	X	-	X	2	-	-
X	X	-	-	3	X	X	-	-	3	X	X	-	-	3	-	-
X	-	X	X	4	X	-	X	X	4	X	-	X	X	4	-	-
X	-	X	-	5	X	-	X	-	5	X	-	X	-	5	-	-
X	-	-	X	6	X	-	-	X	6	X	-	-	X	6	-	-
X	-	-	-	7	X	-	-	-	7	X	-	-	-	7	-	-
-	X	X	X	8	-	X	X	X	8	-	X	X	X	8	-	-
-	X	X	-	9	-	X	X	-	9	-	X	X	-	9	-	-
-	X	-	X	A	-	X	-	X	A	-	X	-	X	A	-	-
-	X	-	-	B	-	X	-	-	B	-	X	-	-	B	-	-
-	-	X	X	C	-	-	X	X	C	-	-	X	X	C	-	-
-	-	X	-	D	-	-	-	X	D	-	-	X	-	D	-	-
-	-	-	X	E	-	-	-	X	E	-	-	-	X	E	-	-
-	-	-	-	F	-	-	-	-	F	-	-	-	-	F	-	-

X = Jumper installed  
 - = Jumper removed

Jumper Block	Description	As Shipped
V6	MEMEX Select	Ignore
V7	Board Address (A10 – A15)	FF08H
V8	IOEXP Select	Ignore
V9	Board Address (A8, A9) / 8-Bit Mode Selector	FF08H
V10	Board Address (A3 – A7)	FF08H
V11	Address Type Select	Memory

Figure 2-5. 16-Bit I/O Address Jumpers

## IOEXP Signal

The IOEXP (I/O expansion) signal on the STD Bus is normally used to select between two different I/O banks or maps. It can be used to double the number of available I/O addresses in the system (by selecting between two banks of I/O boards). The IOEXP signal is usually controlled by (or jumpered to ground on) the system CPU card.

A low IOEXP signal usually selects the standard or normal I/O map. A high IOEXP signal usually selects the secondary or alternate I/O map. Boards that ignore (or do not decode) IOEXP will appear in both I/O maps.

As shipped the IOEXP jumper is configured to ignore the IOEXP signal. The board will be addressed whether the IOEXP signal is high or low. It can be jumpered for two other modes as shown below.

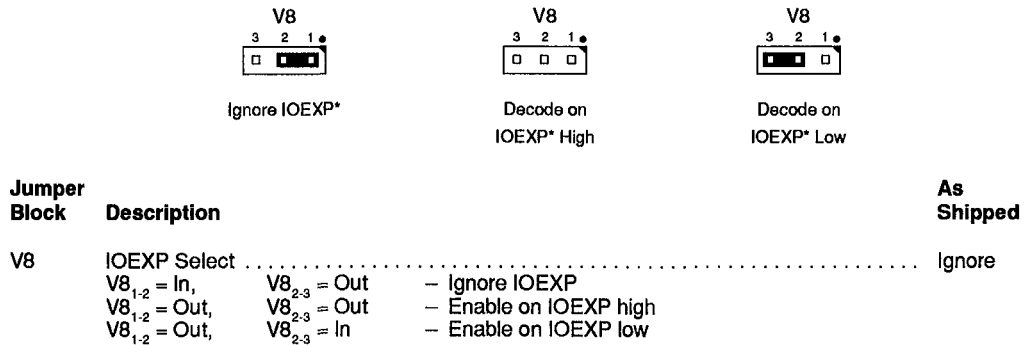
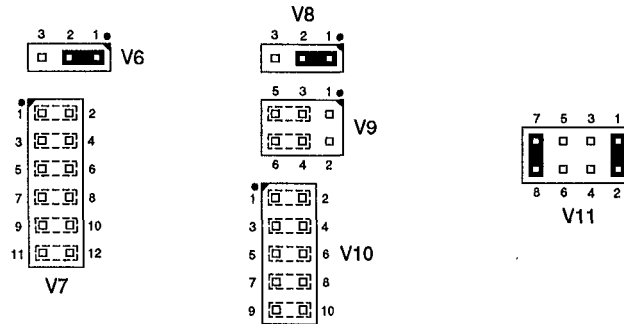


Figure 2-6. IOEXP Options

## 16-Bit Memory Addressing

To configure the board for a 16-bit memory address refer to the figure below. Use the table to select the jumpering for the appropriate four hex digits of the desired starting address (i.e., “6” and “1” and “3” and “0” = hex address 6130).

This jumper configuration ignores the state of the MEMEX signal in addressing the board. To use the MEMEX signal refer to the MEMEX Signal heading in this section.



Upper Digit				Second Digit				Third Digit				Lower Digit				
V7 <sub>1-2</sub>	V7 <sub>3-4</sub>	V7 <sub>5-6</sub>	V7 <sub>7-8</sub>	V7 <sub>9-10</sub>	V7 <sub>11-12</sub>	V9 <sub>3-5</sub>	V9 <sub>4-6</sub>	V10 <sub>1-2</sub>	V10 <sub>3-4</sub>	V10 <sub>5-6</sub>	V10 <sub>7-8</sub>	V10 <sub>9-10</sub>				
X	X	X	X	0	X	X	X	X	X	X	X	0	X	0		
X	X	X	-	1	X	X	X	-	1	X	X	X	-	1	-	8
X	X	-	X	2	X	X	-	X	2	X	X	-	X	2		
X	X	-	-	3	X	X	-	-	3	X	X	-	-	3		
X	-	X	X	4	X	-	X	X	4	X	-	X	X	4		
X	-	X	-	5	X	-	X	-	5	X	-	X	-	5		
X	-	-	X	6	X	-	-	X	6	X	-	-	X	6		
X	-	-	-	7	X	-	-	-	7	X	-	-	-	7		
-	X	X	X	8	-	X	X	X	8	-	X	X	X	8		
-	X	X	-	9	-	X	X	-	9	-	X	X	-	9		
-	X	-	X	A	-	X	-	X	A	-	X	-	X	A		
-	X	-	-	B	-	X	-	-	B	-	X	-	-	B		
-	-	X	X	C	-	-	X	X	C	-	-	X	X	C		
-	-	X	-	D	-	-	X	-	D	-	-	X	-	D		
-	-	-	X	E	-	-	-	X	E	-	-	-	X	E		
-	-	-	-	F	-	-	-	-	F	-	-	-	-	F		

X = Jumper installed  
 - = Jumper removed

Jumper Block	Description	As Shipped
V6	MEMEX Select	Ignore
V7	Board Address (A10 – A15)	FF08H
V8	IOEXP Select	Ignore
V9	Board Address (A8, A9) / 8-Bit Mode Selector	FF08H
V10	Board Address (A3 – A7)	FF08H
V11	Address Type Select	Memory

Figure 2-7. 16-Bit Memory Address Jumpers

## MEMEX Signal

The MEMEX (memory expansion) signal on the STD Bus is normally used to select between two different memory banks or maps. It can be used to double the number of available memory addresses in the system (by selecting between the two memory banks). The MEMEX signal is usually controlled by (or jumpered to ground on) the system CPU card.

A low MEMEX signal usually selects the standard or normal memory map. A high MEMEX signal usually selects the secondary or alternate memory map. Boards that ignore (or do not decode) MEMEX will appear in both memory maps.

As shipped the MEMEX jumper is configured to ignore the MEMEX signal. The board will be addressed whether the MEMEX signal is high or low. It can be jumpered for two other modes as shown below.

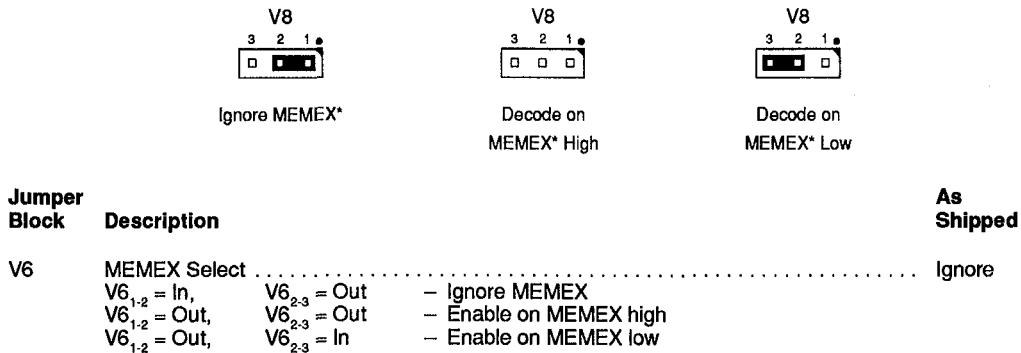


Figure 2-8. MEMEX Options

## Analog Input Configuration

The VL-1260 board accommodates 16 single-ended or 8 differential channels. An option kit for the VL-1260 (Part #9672), expands the board to accommodate 32 single-ended or 16 differential channels.

### Input Mode

The VL-1260 board can be configured for three types of voltage inputs: differential, single-ended, and pseudo-differential. In addition, by adding an external user-supplied 500  $\Omega$  resistor, the VL-1260 can be hooked up to a 4-20 ma current loop. All inputs connected to the boards must be of the same type.

Typical connections for the three input modes are shown in the figures below. Since ground loops (current flowing between various equipment ground lines) affect analog measurements made with reference to ground, careful attention should be paid to the ground connections shown. In particular, the STD Bus power supply logic ground line should never be connected to earth ground when operating in the differential or pseudo-differential modes.

### Single Ended Mode

The single-ended mode is used for signals that are referenced to a common ground. It is normally used only for higher level signals on short distance runs (less than 10 feet). In this mode up to 16 input channels can be accommodated.

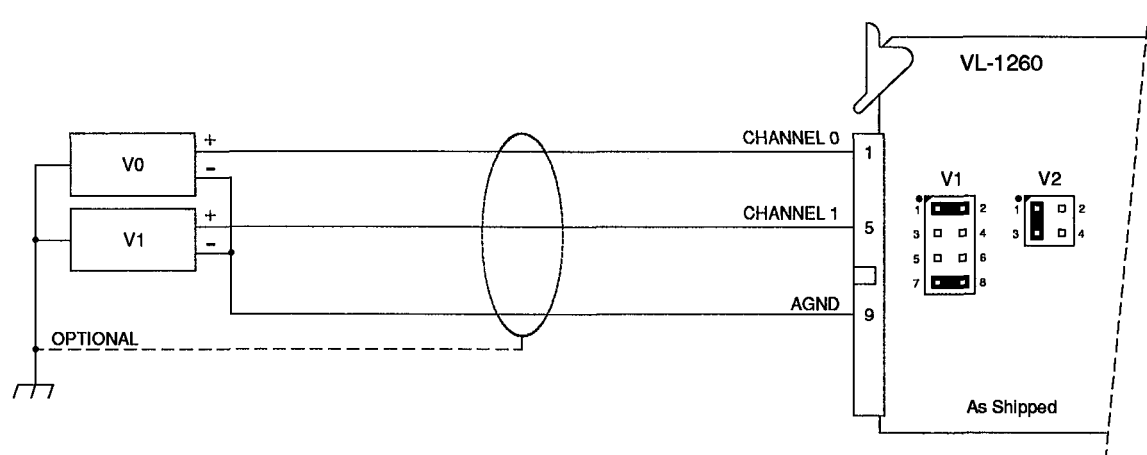


Figure 2-9. Single Ended Input Mode

**Pseudo-Differential Mode**

The pseudo-differential mode is used for signals that are not referenced to ground, but are all connected to a single common return line. This mode can provide most of the advantages of full differential input while requiring fewer total wires. In the pseudo-differential mode, 16 input channels can be accommodated.

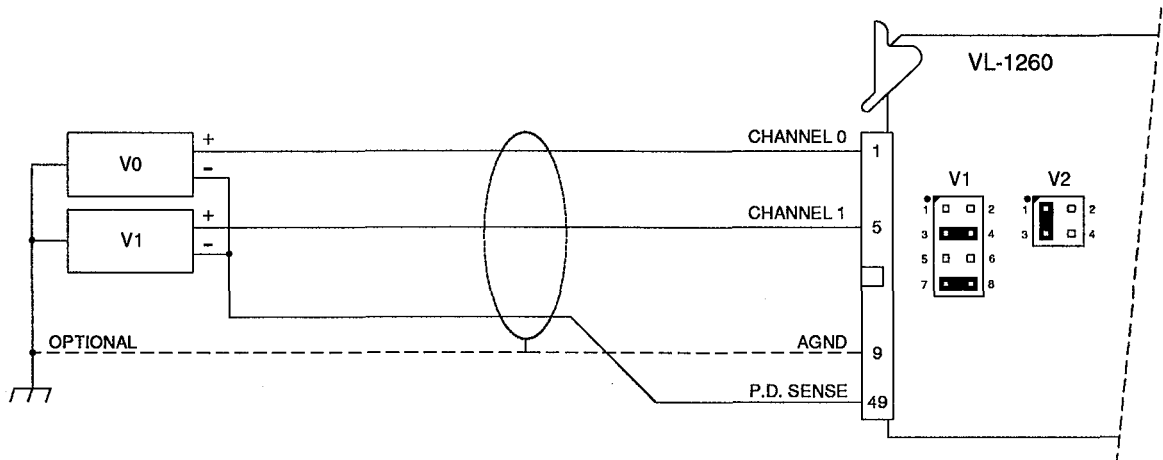


Figure 2-10. Pseudo-Differential Input Mode

**Differential Mode**

The differential mode is used for signals that are not referenced to a common or ground point, but simply have a voltage difference between the two input wires (usually a twisted pair). It is desirable to use the differential mode in electrically noisy environments since it reduces the effects of electromagnetically induced noise and ground currents. It is especially useful in eliminating the effects of common mode noise generated on input lines over longer distances. In the differential mode, only eight input channels are available.

Note that in full differential operation a return path must be provided for the bias currents of the input amplifier. This can be accomplished by grounding the voltage source power supply(s) to the VL-1260 board, or by installing a 10K to 100K  $\Omega$  resistor as shown for each channel. These resistors should be located in close proximity to the voltage source.

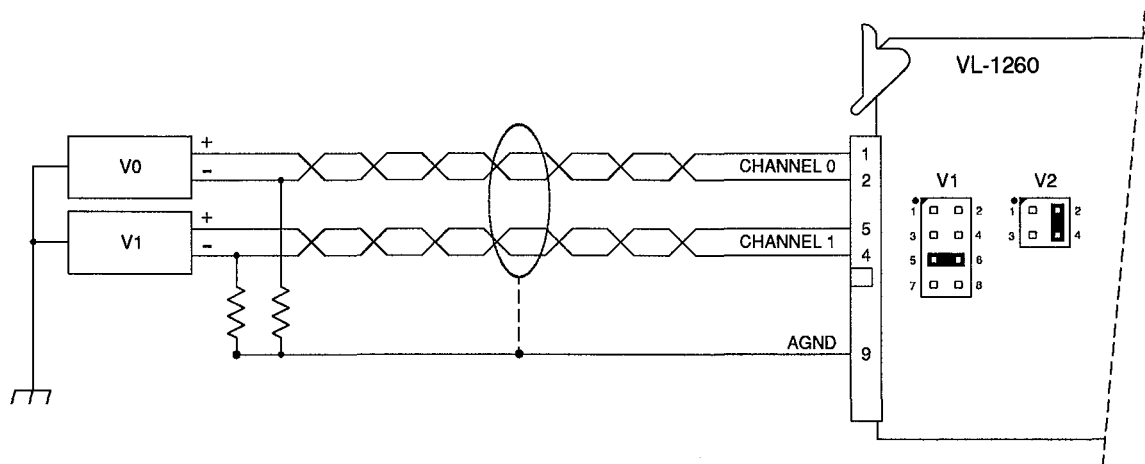
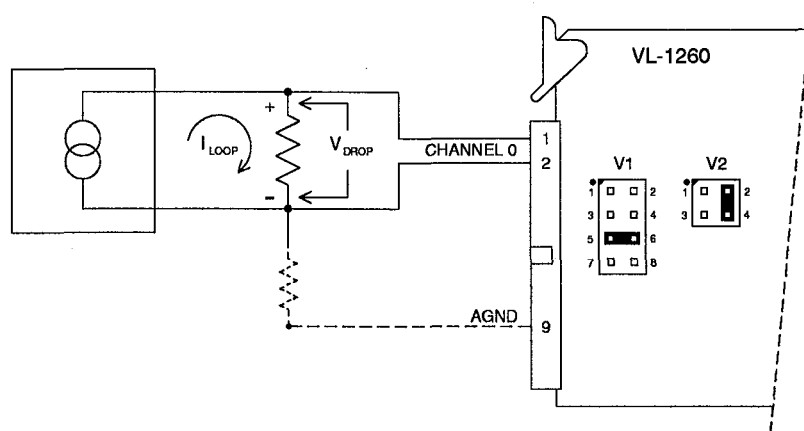


Figure 2-11. Differential Input Mode

**Current Loop Mode**

While the VL-1260 cannot directly hook up to a 4-20 ma current loop, the addition of an external user-supplied 500  $\Omega$  precision dropping resistor can be used to develop a 2-10 volt signal proportional to the 4-20 ma current. This voltage is applied to the VL-1260 as a differential-mode signal. The input range should be jumpered for unipolar 0 to 10V operation. The circuit below can be repeated for all 8 differential input channels.



*Figure 2-12. Current Loop Input Mode*

## Input Voltage Range

The board may be operated with an input range of 0 to +10 volts, or ±10 volts. The 0 to +10 volt range is preferred for signals which do not go negative, since the per volt resolution is twice that of the ±10 volt range. Input voltage range selection applies to all input channels.

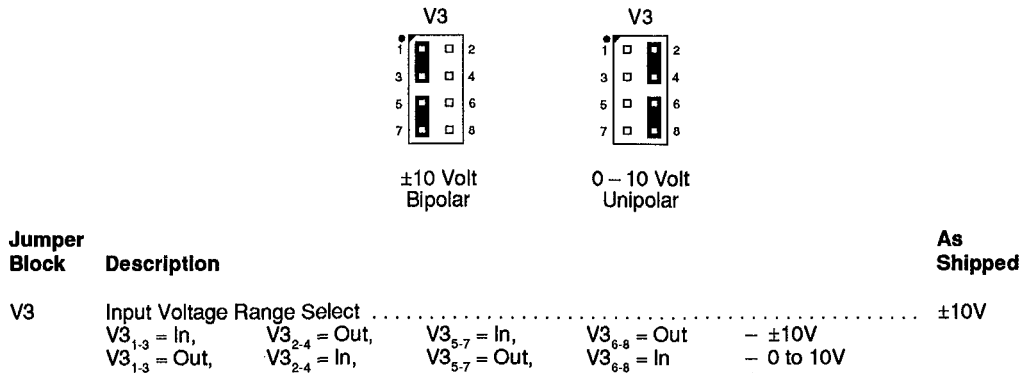


Figure 2-13. Input Range Selection

## Input Gain

The on-board instrumentation amplifier allows low level input signals to be amplified to the full scale input range of the board so that they can be read with the full resolution available (one part in 4096).

The amplifier gain is determined by parallel resistors R1 and R2. The resulting gain applies to all channels on the board.

As shipped, the gain of the amplifier is set to one. Other gains may be selected using the following formula:

$$R_g = \left[ \frac{20K \Omega}{(gain - 1)} \right]$$

To change the gain, use one of the resistors for coarse adjustment (use the largest standard resistor value above R<sub>g</sub>). Use the second resistor to fine tune the total resistance. The resistor(s) used should be a high-stability metal film type (RN55 style, ±25ppm/°C typ.).

## Settling Time

The VL-1260 board includes a delay between the time a channel is selected for reading (by a software command), and the start of the actual A/D conversion. This delay allows the multiplexer and sample/hold circuitry to properly settle for a more accurate reading.

With an input gain of 1, the standard 15 microsecond delay (as shipped) is appropriate. For higher gains, an additional capacitor should be installed in position CT as shown in the table below.

Use of settling times less than those shown will decrease the accuracy of readings beyond ±1 LSB.

Gain	Value for CT	Settling Time
1-150	(Open)	15 μs
151-300	680 pf	20 μs
301-500	1500 pf	30 μs
501-700	3300 pf	40 μs
701-1000	6200 pf	85 μs

Figure 2-14. Settling Time



## Input Data Format

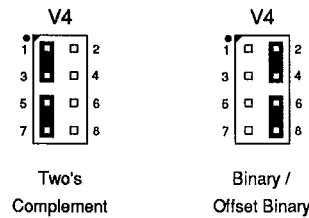
The digital data format for the analog input channels can be jumpered for binary, offset binary, or two's complement. The configuration affects all channels.

The selection is dependent upon the input voltage range selected with jumper V3. Unipolar voltages should use the binary data format. Bipolar voltages can use two's complement or offset binary formats, however, two's complement is the best choice since it "maps" the positive and negative voltages into positive and negative digital values.

See the Input Data Representation section starting on page 4-4 for further information on the various analog input data formats.

Input Range	Valid Input Data Formats
0 to +10V	Binary
±10V	Offset Binary or Two's Complement

Figure 2-15. Valid Input Data Formats



Jumper Block	Description	As Shipped
V4	Input Data Format	2's Complement
	V4 <sub>1,3</sub> = In, V4 <sub>2,4</sub> = Out	- Two's Complement
	V4 <sub>1,3</sub> = Out, V4 <sub>2,4</sub> = In	- Binary / Offset Binary
	V4 <sub>5,7</sub> = In, V4 <sub>6,8</sub> = Out	
	V4 <sub>5,7</sub> = Out, V4 <sub>6,8</sub> = In	

Figure 2-16. Input Data Format Options



# Installation

---

## Handling

**CAUTION:** The VL-1260 card uses chips which are sensitive to static electricity discharges. Normal precautions, such as discharging yourself, work stations, and tools to ground before touching the board should be taken whenever the board is handled.

The board should also be protected during shipment or storage by placing it in a conductive bag (such as the one it was received in) or by wrapping it in metal foil.

## Installation

The VL-1260 card can be installed in any slot of an STD Bus card cage, excluding Slot-X in STD 32 cages, and should only be used with other standard (TTL level bus) STD Bus boards. When inserting or extracting the VL-1260, make sure the system power is off, also make sure the card is properly oriented (ejector pointing up).

## Priority Chain

The VL-1260 card does not use the STD Bus priority interrupt chain signals PCO (P51) and PCI (P52). However, because PCI is connected to PCO on board, the card can be installed between cards using the chain.

## Signal Levels

The maximum non-destructive input voltage applied to any of the inputs on connector J1 is  $\pm 35\text{V}$  with power on ( $\pm 20\text{V}$  with power off). These voltages are measured with respect to analog ground. Each analog channel presents a minimum input impedance of  $.6 \times 10^8 \Omega$ .

## External Connections

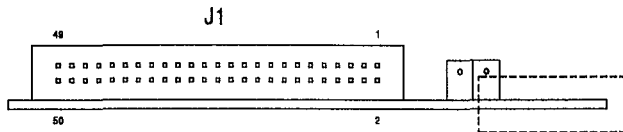
J1 is an unlatched 50-pin dual-row (.1" center) header type connector. External connections to the VL-1260 can be made with standard cable assemblies, or with the following mating connectors:

### Mating Connectors

Connector	Mating Connector
J1	50-pin socket type connectors such as 3M #3425-6650

*Figure 3-1. Mating Connectors*

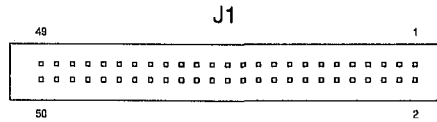
### Physical Pin Locations



*Figure 3-2. I/O Connector Physical Pin Locations*

## Connector Pinout

### J1 — Analog Input Connector



J1 Pin	Single Ended or Pseudo-Differential	Differential
1	Channel 0	Channel 0+
2	Channel 8	Channel 0-
3	Analog Ground	Analog Ground
4	Channel 9	Channel 1-
5	Channel 1	Channel 1+
6	Analog Ground	Analog Ground
7	Channel 2	Channel 2+
8	Channel 10	Channel 2-
9	Analog Ground	Analog Ground
10	Channel 11	Channel 3-
11	Channel 3	Channel 3+
12	Analog Ground	Analog Ground
13	Channel 4	Channel 4+
14	Channel 12	Channel 4-
15	Analog Ground	Analog Ground
16	Channel 13	Channel 5-
17	Channel 5	Channel 5+
18	Analog Ground	Analog Ground
19	Channel 6	Channel 6+
20	Channel 14	Channel 6-
21	Analog Ground	Analog Ground
22	Channel 15	Channel 7-
23	Channel 7	Channel 7+
24	Analog Ground	Analog Ground
25	Channel 16	Channel 8+
26	Channel 24	Channel 8-
27	Analog Ground	Analog Ground
28	Channel 25	Channel 9-
29	Channel 17	Channel 9+
30	Analog Ground	Analog Ground
31	Channel 18	Channel 10+
32	Channel 26	Channel 10-
33	Analog Ground	Analog Ground
34	Channel 27	Channel 11-
35	Channel 19	Channel 11+
36	Analog Ground	Analog Ground
37	Channel 20	Channel 12+
38	Channel 28	Channel 12-
39	Analog Ground	Analog Ground
40	Channel 29	Channel 13-
41	Channel 21	Channel 13+
42	Analog Ground	Analog Ground
43	Channel 22	Channel 14+
44	Channel 30	Channel 14-
45	Analog Ground	Analog Ground
46	Channel 31	Channel 15-
47	Channel 23	Channel 15+
48	Analog Ground	Analog Ground
49	PD	N/C
50	Analog Ground	Analog Ground

Figure 3-3. J1 – Analog Input Connector Pinout

## Installation – External Connections

**Channel 0 to 31.** Analog voltages are applied to these inputs for A/D conversion. In single-ended configuration, these inputs are referenced to Analog Ground. In pseudo-differential configuration, these inputs are considered “high side” and are referenced to PD.

**Channel 0+ to 15+.** Differential “high side” voltages are applied to these inputs for A/D conversion. Each input is referenced to a corresponding differential “low side” input.

**Channel 0– to 15–.** Differential “low side” voltages are applied to these inputs for A/D conversion. Each input is referenced to a corresponding differential “high side” input.

**PD — Pseudo Differential “Low Side”.** All “low side” pseudo-differential analog voltages are connected together and brought to this pin for differential reference.

**Analog Ground.** This signal is the on-board analog ground. In single-ended mode, all analog inputs are referenced to this signal. The use of multiple ground connections is recommended to maintain a high degree of signal integrity. In differential mode, a return path for the input bias currents of the on-board instrumentation amplifiers must be connected to this pin. This is accomplished by wiring a 10K to 100K  $\Omega$  resistor between analog ground and the “low side” of each differential signal source. These resistors should be located in close physical proximity to the signal sources. The cable shield can be used for this purpose.

**N/C — No Connection.** This signal is not connected to on-board circuitry.

# Registers

---

## Introduction

This section includes information about registers, control and status bits, and data formats. It focuses primarily on the individual registers, the bits contained within them, and their functional descriptions.

## Register Mapping

The VL-1260 occupies eight consecutive addresses in the I/O or memory map. The VL-1260 uses three of these addresses as control, data, and status registers; the remaining five are inaccessible.

The locations of the eight ports are determined by the board address, which is jumper selectable. For compatibility with Analog Devices RTI-1260 boards, VersaLogic ships the VL-1260 jumpered to memory address FF08H. However, most users configure the board using I/O mapping rather than memory mapping. For simplicity, this manual uses the as-shipped memory mapped addresses when referring to register locations. If you have reconfigured the card, you should substitute your own address for the FF0XH addresses indicated throughout this manual.

Input Port	Output Port	Name	Port Address	As Shipped Address	Page
—	—	Not Used	Board Address + 7	FF0FH	—
—	—	Not Used	Board Address + 6	FF0EH	—
IDHIGH	—	Input Data High Register	Board Address + 5	FF0DH	4-3
IDLOW	—	Input Data Low Register	Board Address + 4	FF0CH	4-3
—	SELECT	Input Channel Select Register	Board Address + 3	FF0BH	4-2
—	—	Not Used	Board Address + 2	FF0AH	—
—	—	Not Used	Board Address + 1	FF09H	—
—	—	Not Used	Board Address + 0	FF08H	—

*Figure 4-1. I/O Port Addresses*

# Analog Input Registers

## Input Channel Select Register

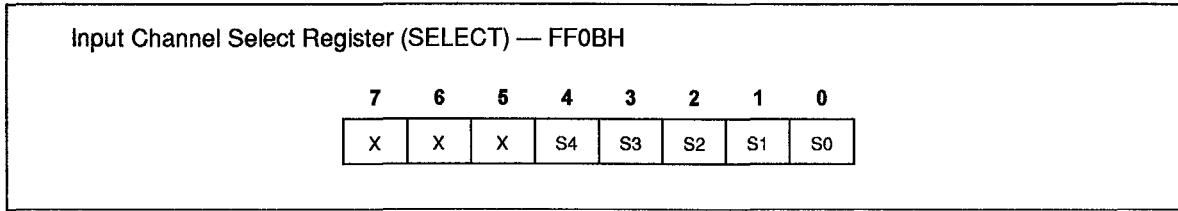


Figure 4-2. Input Channel Select Register

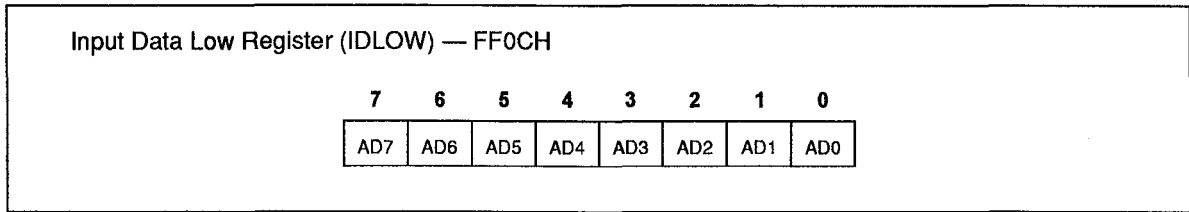
The Channel Select register is a write register used to select the input channel number to be read. Writing a channel number to this register initiates a conversion cycle. Do not write to this register if bit D7 (BUSY) of IDHIGH = 1.

**X — Not Used.** These bits have no function in the VL-1260. It does not matter what value is written to them.

**S4, S3, S2, S1, S0 — Channel Address.** These bits select the analog channel to use for A/D conversion.

S4	S3	S2	S1	S0	Selected Channel
0	0	0	0	0	Channel 0
0	0	0	0	1	Channel 1
0	0	0	1	0	Channel 2
0	0	0	1	1	Channel 3
0	0	1	0	0	Channel 4
0	0	1	0	1	Channel 5
0	0	1	1	0	Channel 6
0	0	1	1	1	Channel 7
0	1	0	0	0	Channel 8
0	1	0	0	1	Channel 9
0	1	0	1	0	Channel 10
0	1	0	1	1	Channel 11
0	1	1	0	0	Channel 12
0	1	1	0	1	Channel 13
0	1	1	1	0	Channel 14
0	1	1	1	1	Channel 15
0	0	0	0	0	Channel 16
0	0	0	0	1	Channel 17
0	0	0	1	0	Channel 18
0	0	0	1	1	Channel 19
0	0	1	0	0	Channel 20
0	0	1	0	1	Channel 21
0	0	1	1	0	Channel 22
0	0	1	1	1	Channel 23
0	1	0	0	0	Channel 24
0	1	0	0	1	Channel 25
0	1	0	1	0	Channel 26
0	1	0	1	1	Channel 27
0	1	1	0	0	Channel 28
0	1	1	0	1	Channel 29
0	1	1	1	0	Channel 30
0	1	1	1	1	Channel 31



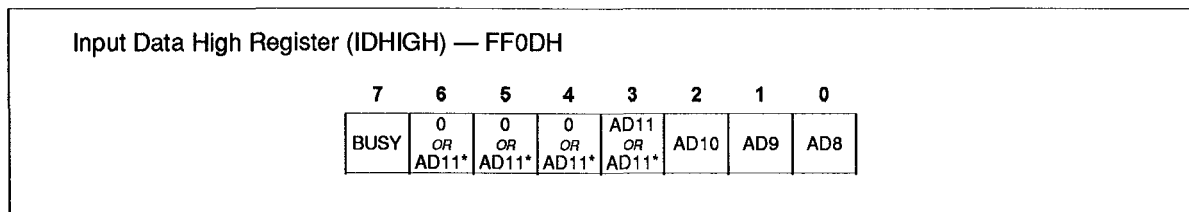
**Input Data Low Register***Figure 4-4. Input Data Low Register*

The Input Data Low register is a read register containing the lower 8 bits of data from the A/D conversion results. It is used in conjunction with the Input Data High register to read the complete 12-bit A/D data word.

The Input Data Low register should always be read after reading the Input Data High register, never first.

See the Polled Mode Analog Input section on page 5-1 for further information on accessing this register.

**AD7-AD0 — A/D Data (Least Significant Bits).** These bits contain data bits D7 through D0 of the A/D conversion results. See the Input Data Representation section for a discussion of input data formats.

**Input Data High Register***Figure 4-3. Input Data High Register*

The Input Data High register is a read register containing the conversion busy bit and the upper order bits of data from the A/D conversion results. It is used in conjunction with the Input Data Low register to read the complete 12-bit A/D data word.

The Input Data High register should always be read before reading the Input Data Low register.

See the Polled Mode Analog Input section on page 5-1 for further information on accessing this register.

**BUSY — Busy.** This bit is set to “1” when an A/D conversion is currently in progress, and automatically resets to “0” when the A/D conversion is complete. Use this bit to determine when the analog input data is valid.

**AD11-AD8 — A/D Data (Most Significant Bits).** These bits contain data bits D11 through D8 of the A/D conversion results. In binary formats, AD11 is true reading with the upper bits equal to 0. In two's complement format, AD11\* is output as indicated. See the Input Data Representation section below for a discussion of input data formats.

## Input Data Representation

The format of the data read from the board varies depending on the input range and the data format that is selected. Each of the data formats is discussed below.

### Input Binary Format (12-Bit Resolution)

Binary format is used only with the unipolar 0 to +10V input range. 12-bit binary format divides the full 10 Volt analog input range into 4096 steps of 2.44 mV each. The code 0000H is associated with an analog input voltage of 0 Volts (ground). The largest code (0FFFH) describes the highest voltage, i.e., +9.9976 Volts. All codes are considered positive. The upper four bits of the Data High register are all zeros.

The formulas for calculating analog or binary digital values are given by:

$$Digital = \left[ \frac{Analog}{Step} \right] \qquad Analog = Step \times Digital$$

Where:

- Analog = Applied voltage
- Digital = A/D Conversion Data
- Step = 0.00244140

Sample values are shown in the table below:

Input Voltage	Data (Hex)	Data (Decimal)	Comment
+10.0000	—	—	Out of range
+9.9976	0FFF	4095	Maximum voltage
+5.0000	0800	2048	Half scale
+2.5000	0400	1024	Quarter scale
+1.2500	0200	512	Eighth scale
+0.00244	0001	1	1 LSB
0.0000	0000	0	Zero (ground input)

*Figure 4-2. Binary Data Format (12-Bit Resolution)*

**Input Offset Binary Format (12-Bit Resolution)**

Offset binary format is used with the bipolar  $\pm 10\text{V}$  input ranges. 12-bit offset binary format divides the full bipolar analog input range into 4096 steps. The code 0000H is associated with the most negative voltage, i.e.  $-10\text{ Volts}$ . The largest code (0FFFH) describes the most positive voltage, i.e.,  $+9.9951\text{ Volts}$ . An analog input of  $0\text{ Volts}$  (ground) will read as 0800H. The upper four bits of the Data High register are all zeros.

The formulas for calculating analog or offset binary digital values are given by:

$$Digital = \left\lceil \frac{Analog + Span}{Step} \right\rceil \qquad Analog = Step \times (Digital - 1) - Span$$

Where:

Analog	=	Applied voltage
Digital	=	A/D Conversion Data
Span	=	9.99511718 ( $\pm 10\text{V}$ Range)
Step	=	0.00488281 ( $\pm 10\text{V}$ Range)

Sample values are shown in the table below:

$\pm 10\text{V}$ Input Voltage	Data (Hex)	Data (Decimal)	Comment
+10.0000	---	---	Out of range
+9.9951	0FFF	4095	Maximum positive voltage
+5.0000	0C00	3072	Positive half scale
+2.5000	0A00	2560	Positive quarter scale
+0.00488	0801	2049	Positive 1 LSB
0.0000	0800	2048	Zero (ground input)
-0.00488	07FF	2047	Negative 1 LSB
-2.5000	0600	1536	Negative quarter scale
-5.0000	0400	1024	Negative half scale
-10.0000	0000	0	Maximum negative voltage

*Figure 4-3. Offset Binary Data Format (12-Bit Resolution)*

**Input Two's Complement Format (12-Bit Resolution)**

Two's complement format is used with the ±10V input ranges. 12-bit two's complement format, like 12-bit offset binary format, divides the full bipolar analog input range into 4096 steps. The code 0000H, however, is associated with an analog input voltage of 0 Volts (ground). Positive analog input voltages are represented by positive digital numbers, whereas negative analog input voltages are represented by negative digital numbers (encoded in a 12-bit field), i.e., -1 = 0FFFH. Two's complement format is the most common format for expressing bipolar analogs.

The formulas for calculating analog or two's complement digital values are given by:

$$Digital = \left[ \frac{Analog}{Step} \right] \qquad Analog = Step \times Digital$$

Where:

- Analog = Applied voltage
- Digital = A/D Conversion Data
- Step = 0.00488281 (±10V Range)

Sample values are shown in the table below:

±10V Input Voltage	Data (Hex)	Data (Decimal)	Comment
+10.0000	—	—	Out of range
+9.9951	7FF	2047	Maximum positive voltage
+5.0000	400	1024	Positive half scale
+2.5000	200	512	Positive quarter scale
+0.01953	001	1	Positive 1 LSB
0.0000	000	0	Zero (ground input)
-0.01953	FFF	-1	Negative 1 LSB
-2.5000	E00	-512	Negative quarter scale
-5.0000	C00	-1024	Negative half scale
-10.0000	800	-2048	Maximum negative voltage

*Figure 4-4. Two's Complement Data Format (12-Bit Resolution)*

## Operation

---

This section describes how to operate the VL-1260. A code example written in 80x86 assembly language is included in the next section.

### Polled Mode Analog Input

A polled mode of operation is used on the VL-1260. It is the responsibility of the CPU to start each new A/D conversion as desired, and to read the digital results upon completion.

#### **Polled Mode Steps**

- Channel selection and Trigger
- Wait until done and keep High Data
- Read Low Data
- Sign extend if needed

#### **Channel selection and Trigger**

Output the desired channel number to the Channel Select register (see page 4-2). This automatically triggers the A/D circuits to begin converting. The conversion will complete in about 40  $\mu$ S. If desired, the CPU is free to execute unrelated code, and then return to the next step in the sequence.

#### **Wait until done and keep High Data**

Read the Input Data High register until bit D7 (BUSY) = 0. This is best accomplished by reading the contents of this register directly into the CPU's accumulator or into an 8-bit variable. The Input Data High register contains the conversion status bit and some of the high-order data bits of the A/D results. Bit D7 (BUSY) is set to 1 when the conversion is triggered in the previous step. When BUSY = 0, the A/D conversion has completed, signaling that both Input Data High and Input Data Low registers contain valid data. Since the CPU has been reading the Input Data High register in order to test the BUSY bit, the upper-order bits of the A/D results have already been fetched from the VL-1260. It is not necessary to re-read the Input Data High register.

#### **Read the Low Data**

Read the Input Data Low register directly into another CPU register. See page 4-3.

#### **Sign Extension (Optional)**

In two's complement mode, if you're handling the A/D data using 16-bit variables or CPU registers, it might be desirable to "sign extend" the input value into 16 bits prior to storage or mathematical manipulation. The sign bit is extended in hardware except for the busy bit location. The process of sign extension fills the busy bit with a "1" or "0" as appropriate. The software examples show how this is done with shift instructions.



## Software Example

This section shows a software example written in Microsoft MASM 5.0 assembly language to assist you in constructing your own software routines.

### Polled Mode Analog Input

The following example reads channel 0 into the AX register. It is assumed that the board is addressed at I/O location 0300H.

The key program sections are:

<b>READ</b>	Reads A/D channel 0 into AX register.
<b>BUSY</b>	Location where program loops waiting for A/D conversion to complete.

```

                                ;VL-1225/6 REGISTER ADDRESSES
= 0303          select equ     00303h  ;Input Channel Select Register
= 0304          idlow  equ     00304h  ;Input Data Low Register
= 0305          idhigh equ     00305h  ;Input Data High Register

0000          code  segment para public 'CODE'
              assume cs:code

0000          read:                                ;READ CHANNEL 0 INTO AX REGISTER

0000 BA 0303          mov     dx,select ;Select channel 0 and Trigger
0003 B0 00          mov     al,00h
0005 EE             out     dx,al

0006 BA 0305          mov     dx,idhigh ;Read BUSY bit and High Data
0009 EC             busy: in     al,dx
000A A8 80          test    al,10000000b
000C 75 FB          jnz     busy      ;Loop if BUSY = 1

000E 8A E0          mov     ah,al      ;Mask off unused high-order bits
0010 80 E4 03       and     ah,0fh

0013 BA 0304          mov     dx,idlow ;Read Data Low register second
0016 EC             in     al,dx

0017             signex:                    ;Sign extend to fill 16-bit register
                                ;The following 3 instructions are
                                ;optional. They are used in
                                ;two's complement mode only.

0017 B1 01          mov     cl,1      ;Shift count
0019 D3 E0          sal     ax,cl     ;Shift AD10 or AD11 into bit position D7
001B D3 F8          sar     ax,cl     ;Shift it back, extending sign

001D             code  ends
              end     read            ;AX register contains A/D data

```





# Calibration

The VL-1260 is calibrated before shipment. However, it may be desirable to recalibrate the card after installation, and approximately once each year (depending on the accuracy requirements of the application).

## Required Equipment

- A voltmeter with resolution and accuracy to  $\frac{1}{2}$  LSB of the input range being used.
- A low noise voltage source adjustable over the input range.
- A small flat-blade screwdriver.

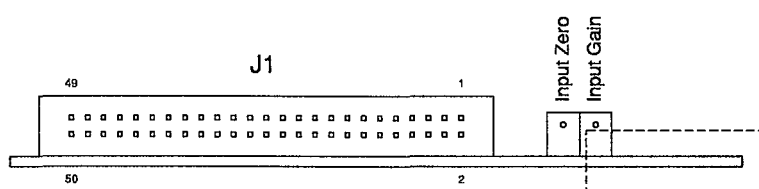


Figure 7-1. Adjustment Pot Locations

## Input Calibration

- Disconnect all inputs to the card and connect the voltage source to any channel.
- Using the voltmeter, adjust the voltage source according to table below:

$\pm 10V$ Range	0 to 10V Range
-9.99756V	+0.00122V

- Using a program to continuously read the input channel, adjust the “Input Zero” pot until the reading toggles between the two values shown in the table below.

Binary	Offset Binary	Two's Complement
0000H	0000H	0800H
0001H	0001H	0801H

- Using the voltmeter, adjust the voltage source according to the table below.

$\pm 10V$ Range	0 to 10V Range
+9.99268V	+9.99634V

- Using a program to continuously read the input channel, adjust the “Input Gain” pot until the reading toggles between the two values shown in the table below.

Binary	Offset Binary	Two's Complement
0FFFH	0FFFH	07FFH
0FFEH	0FFEH	07FEH



# Reference

## STD 80 Bus Pinout

COMPONENT SIDE				SOLDER SIDE			
Pin	Signal	Flow	Description	Pin	Signal	Flow	Description
P01	+5VDC	In	Logic Power	P02	+5VDC	In	Logic Power
P03	GND	In	Logic Ground	P04	GND	In	Logic Ground
P05	VBAT	—	Battery Power	P06	DCPDN*	—	DC Power Down
P07	A19/D3	I/O	Address/Data	P08	A23/D7	I/O	Address/Data
P09	A18/D2	I/O	Address/Data	P10	A22/D6	I/O	Address/Data
P11	A17/D1	I/O	Address/Data	P12	A21/D5	I/O	Address/Data
P13	A16/D0	I/O	Address/Data	P14	A20/D4	I/O	Address/Data
P15	A07	In	Address	P16	A15	In	Address
P17	A06	In	Address	P18	A14	In	Address
P19	A05	In	Address	P20	A13	In	Address
P21	A04	In	Address	P22	A12	In	Address
P23	A03	In	Address	P24	A11	In	Address
P25	A02	In	Address	P26	A10	In	Address
P27	A01	In	Address	P28	A09	In	Address
P29	A00	In	Address	P30	A08	In	Address
P31	WR*	In	Write Mem or I/O	P32	RD*	In	Read Mem or I/O
P33	IORQ*	In	I/O Address Select	P34	MEMRQ*	In	Memory Address Select
P35	IOEXP	In	I/O Expansion	P36	BHE* (MEMEX)	In	Byte High Enable (Mem Expansion)
P37	INTRQ1*	—	Interrupt Request 1	P38	ALE*	—	Address Latch Enable
P39	STATUS1*	—	CPU Status 1	P40	STATUS0*	—	CPU Status 0
P41	BUSAK*	—	Bus Acknowledge	P42	BUSRQ*	—	Bus Request
P43	INTAK*	—	Interrupt Acknowledge	P44	INTRQ*	—	Interrupt Request
P45	WAITRQ*	—	Wait Request	P46	NMIRQ*	—	Non-maskable Interrupt Request
P47	SYSRESET*	In	System Reset	P48	PBRESET*	—	Push-Button Reset
P49	CLOCK*	—	Clock	P50	CNTRL* (INTRQ2*)	—	Aux Timing
P51	PCO	Out	Priority Chain Out	P52	PCI	In	Priority Chain In
P53	AUX GND	—	AUX Ground	P54	AUX GND	—	AUX Ground
P55	AUX +V	—	AUX Positive (+12VDC)	P56	AUX -V	—	AUX Negative (-12VDC)

\* Denotes an active low signal.

— Denotes signal not used on this board.

Figure 8-1. STD 80 Bus Pinout

# VL-1260 Parts Placement Diagram

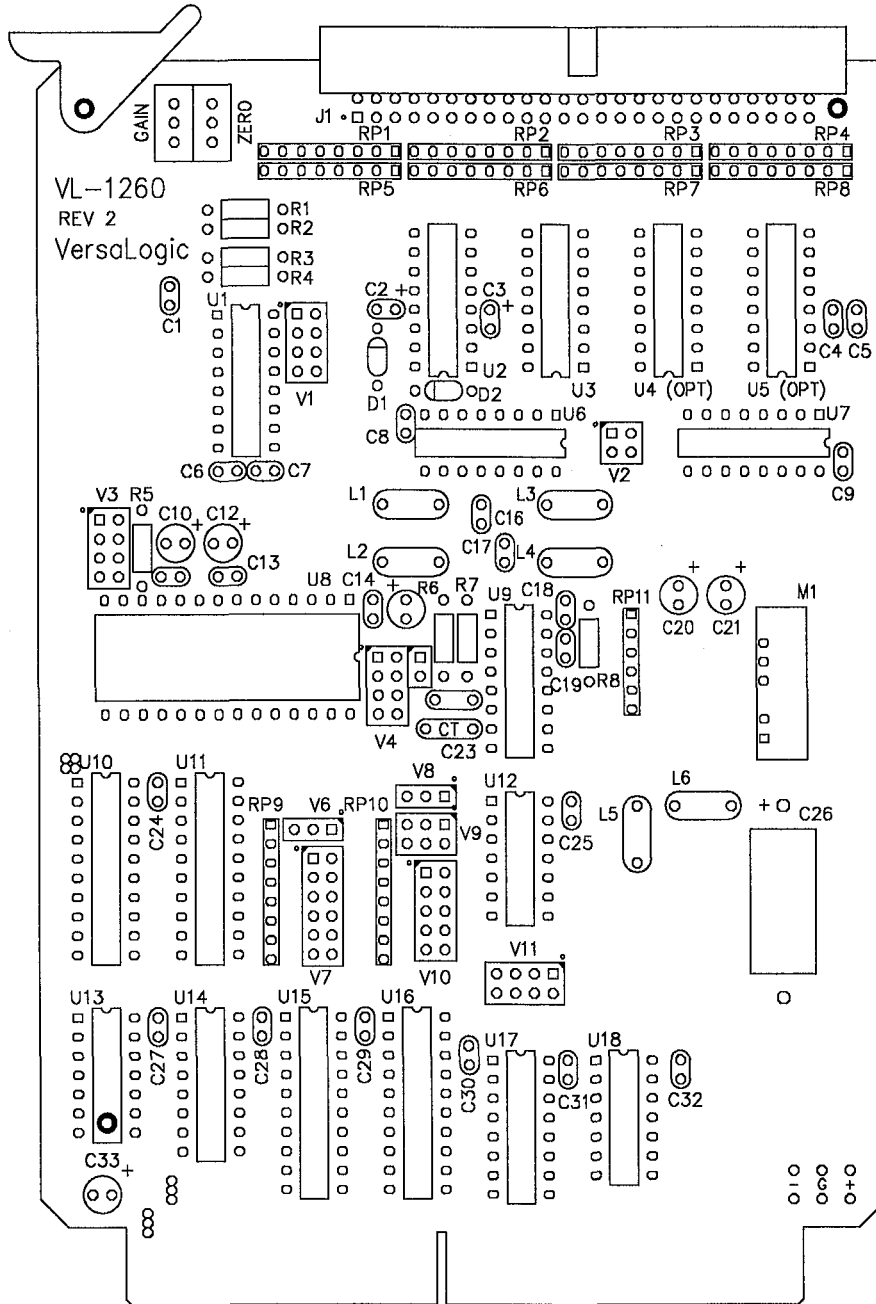
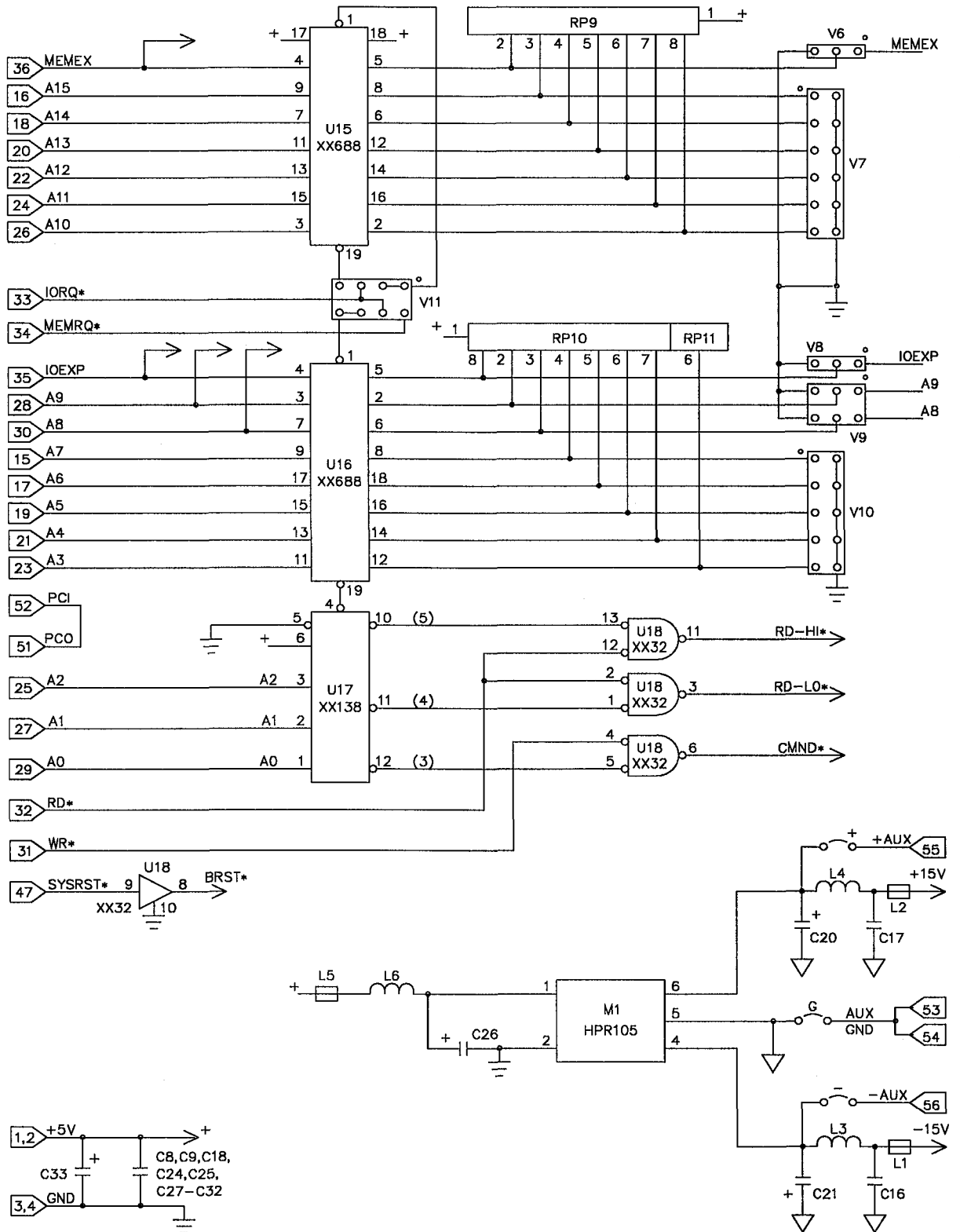


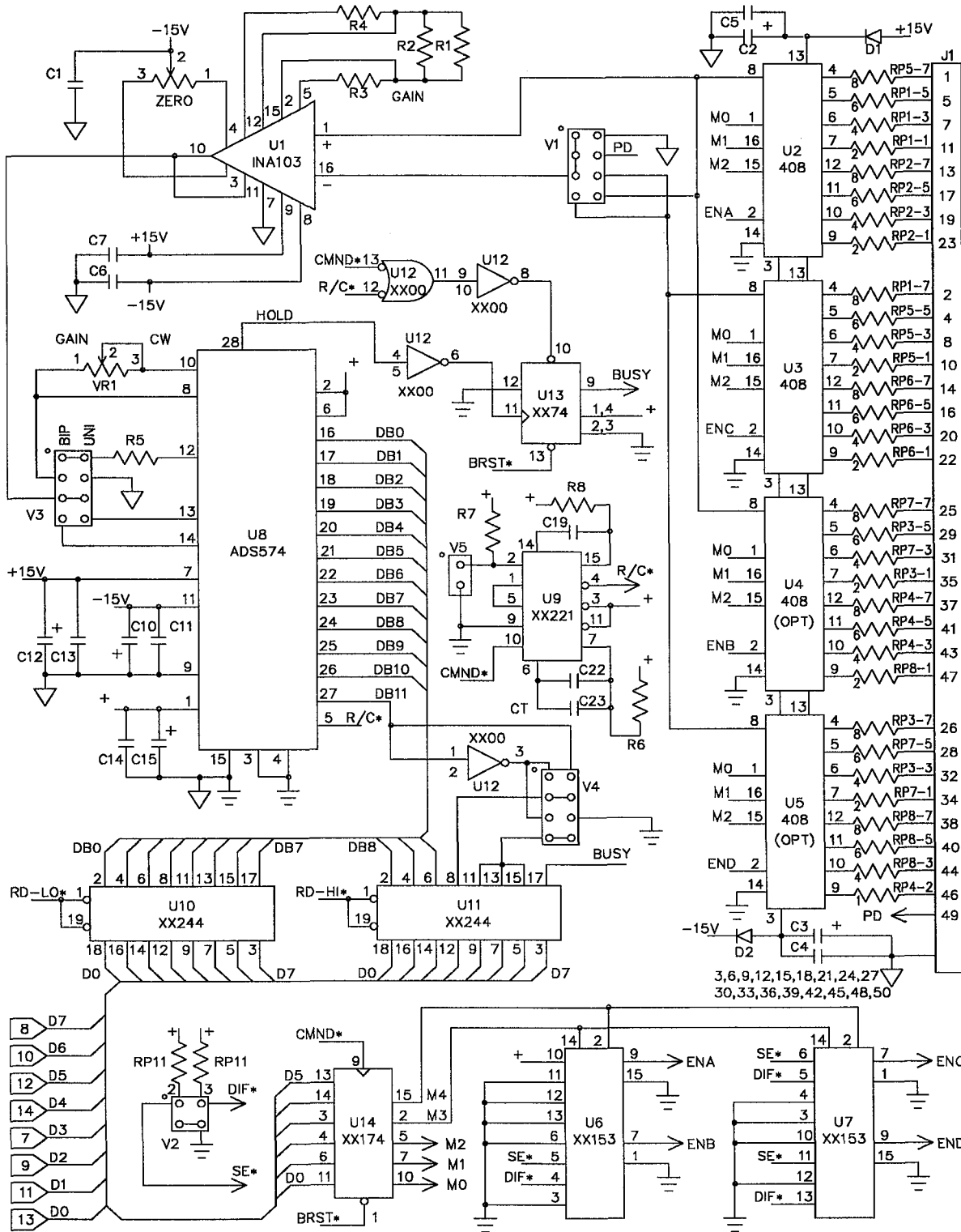
Figure 8-2. VL-1260 Parts Placement Diagram

# VL-1260 Schematic



8/19/92 REV2

# VL-1260 Schematic



8/19/92 REV2

# VL-1260 Parts List

Rev. 2.01

## Capacitors

C2,C3,C10,C12	1 $\mu$ f, 35V tantalum
C1,C4,C5,C6,C7,C8,C9,C11,C13,C14, C16,C17,C18,C20,C21,C24,C25,C27-C32 C15,C33	.1 $\mu$ f, Z5U
C19	10 $\mu$ f 16V tantalum
C22	270 pf NPO
C26	2200 pf 50V
	220 $\mu$ f 16V electrolytic

## Inductors

L1,L2,L5	Ferrite bead
L3,L4	10 $\mu$ H, 250 mA
L6	47 $\mu$ H, 190 mA

## Integrated Circuits

U1	INA103
U2,U3	DG408
U6,U7	74LS153
U8	ADS574KP
U9	74LS221
U10,U11	74LS244
U12	74LS00
U13	74LS74
U14	74LS174
U15,U16	74HCT688
U17	74LS138
U18	74LS32

## Resistors

R3,R4,R6,R8	10K $\Omega$ , 1%, $\frac{1}{4}$ W
R5	49.9 $\Omega$ , 1%, $\frac{1}{4}$ W
R7	4.7K $\Omega$ , 5%, $\frac{1}{4}$ W
GAIN	100 $\Omega$ pot
ZERO	100K $\Omega$ pot
RP1-RP8	1K $\Omega$ , 4 resistor SIP
RP9,RP10	10K $\Omega$ , 7 resistor SIP
RP11	10K $\Omega$ , 5 resistor SIP

## Semiconductors

D1,D2	IN4148
-------	--------

## Miscellaneous

M1	+5V to $\pm$ 15V DC/DC (HPR105)
----	---------------------------------

