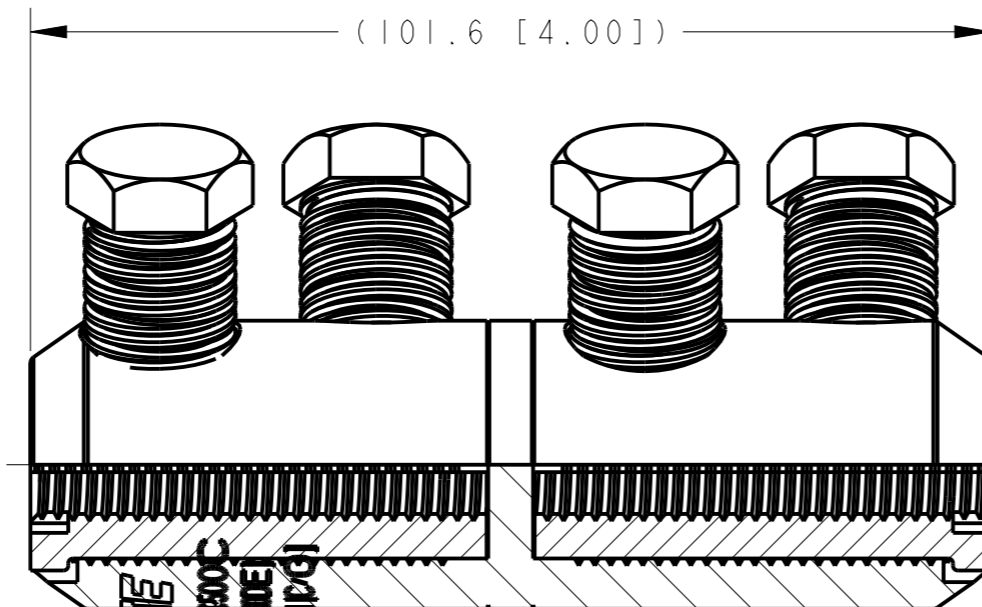
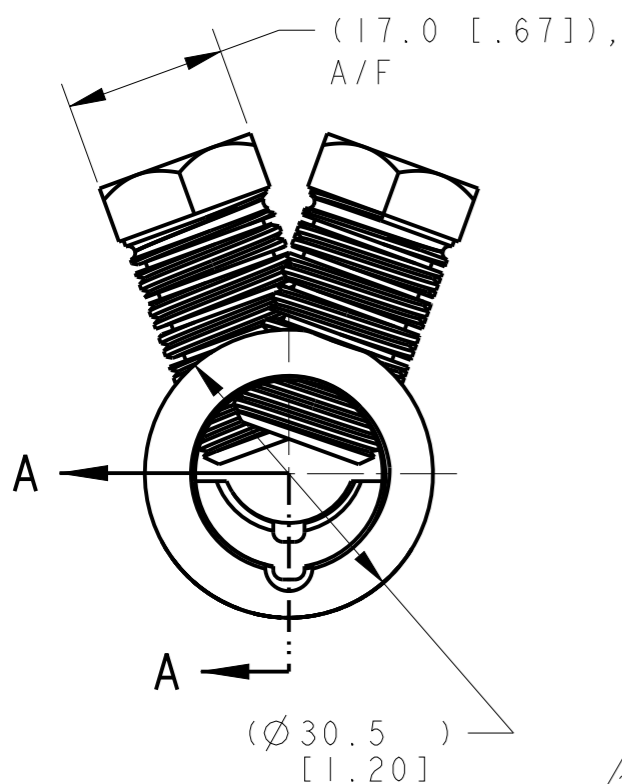
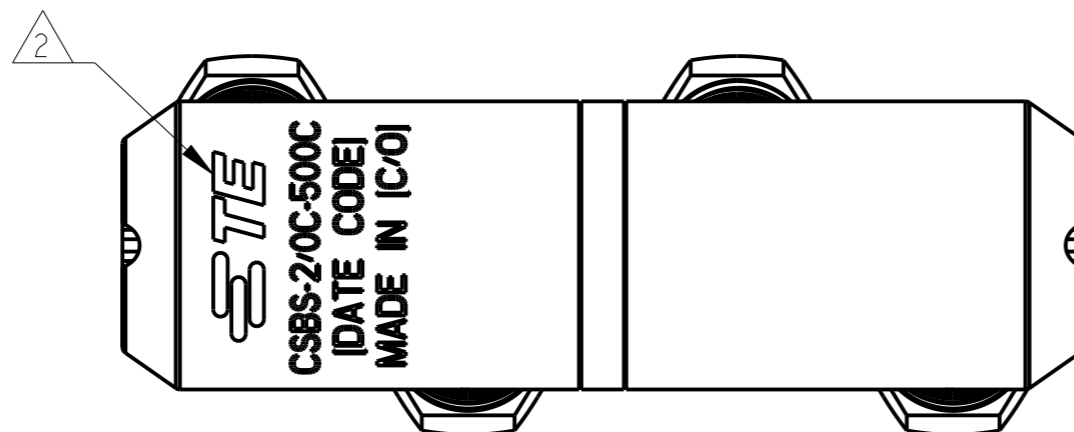


THIS DRAWING IS UNPUBLISHED. RELEASED FOR PUBLICATION 20
 © COPYRIGHT 20 BY - ALL RIGHTS RESERVED.

LOC	DIST	REVISIONS			
P	LTR	DESCRIPTION	DATE	DWN	APVD
GA	I				
	E	LC20-0190-08 / ECO-08-020395	15AUG2008	DM	BJ
	G	LC20-0138-11 / ECO-11-022255	02NOV2011	DM	BJ
	H	LC20-0009-12 / ECO-12-001405	18JAN2012	DM	BJ
	J	LC20-0129-14 / ECO-14-015235	01OCT2014	DM	BJ



SECTION A-A



1. ACCOMMODATES:
 2/0 AWG CPT Ø9.55 (.376 DIA) TO
 500 KCMIL CPT Ø18.69 (.736 DIA)
 CONDUCTORS.



MARKING:

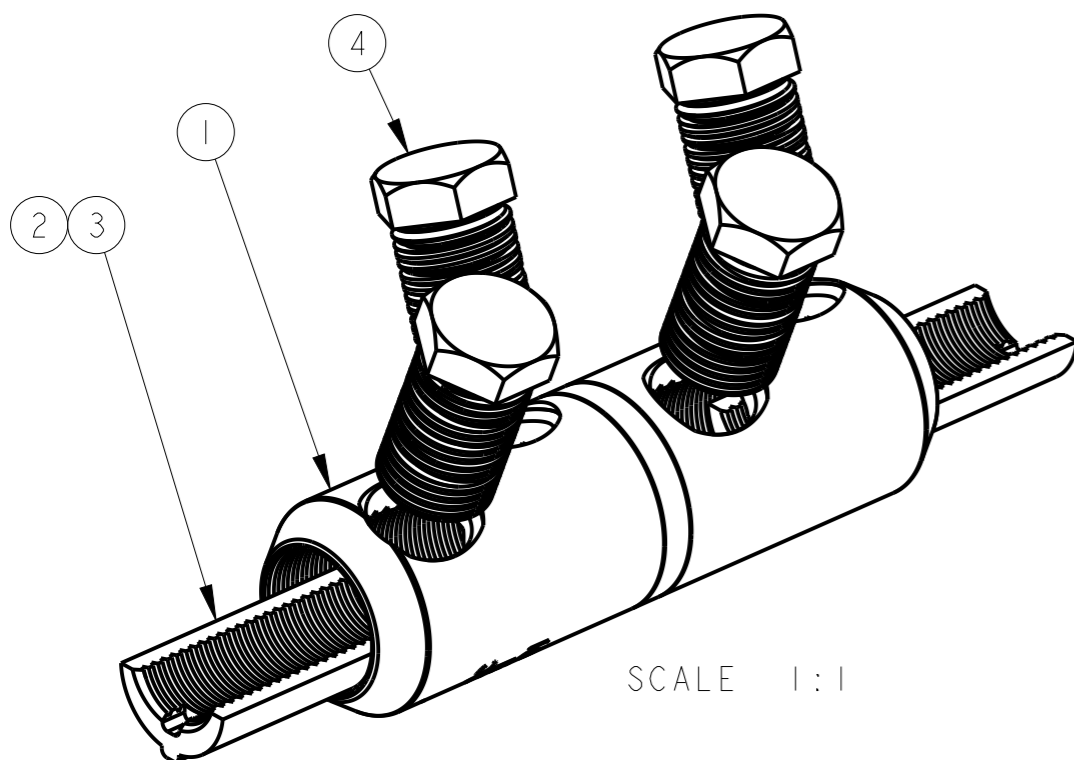


CSBS-2/0C-500C
 [DATE CODE]
 MADE IN [COUNTRY OF ORIGIN]

3. INSERT SHALL BE REMOVED FOR
 CONDUCTOR SIZES 300 KCMIL CPT
 Ø14.48 [1.570 DIA] AND LARGER.

4. ALL DIMENSIONS ARE FOR
 REFERENCE ONLY.

5. INSTALL BOLTS WITH 11/16" HEX.
 SOCKET.



SCALE 1:1

CSBS-2/0C-500C	1099861-1
CATALOG NO	PART NO.

QTY	DESCRIPTION	ITEM NO
1	INSTALLATION INSTRUCTION SHEET, 408-10327	6
1	ABRASIVE TAPE	5
4	MULTI-SHEAR BOLT, BRASS, M16	4
A/R	CONTACT GREASE, NEUTRAL	3
2	INSERT, ETP COPPER	2
1	CONNECTOR SLEEVE BODY, ETP COPPER	1
-1		

THIS DRAWING IS A CONTROLLED DOCUMENT.		DWN 07 NOV 03 D ROBITAILLE		TE Connectivity	
DIMENSIONS: mm [INCH]		CHK 08 DEC 03 A BULZA			
TOLERANCES UNLESS OTHERWISE SPECIFIED:		APVD 11 DEC 03 B JOHNSON		NAME SHEARBOLT CONNECTOR, COPPER, SOLID OIL STOP, 2/0 AWG CPT TO 500 KCMIL CPT	
0 PLC ±		PRODUCT SPEC		SIZE	
1 PLC ±		APPLICATION SPEC		CAGE CODE	
2 PLC ±		WEIGHT		DRAWING NO	
3 PLC ±		Customer Drawing		A300779	
4 PLC ±		SCALE		G-1099861	
ANGLES ±		SHEET		REV	
FINISH NONE		NTS		J	