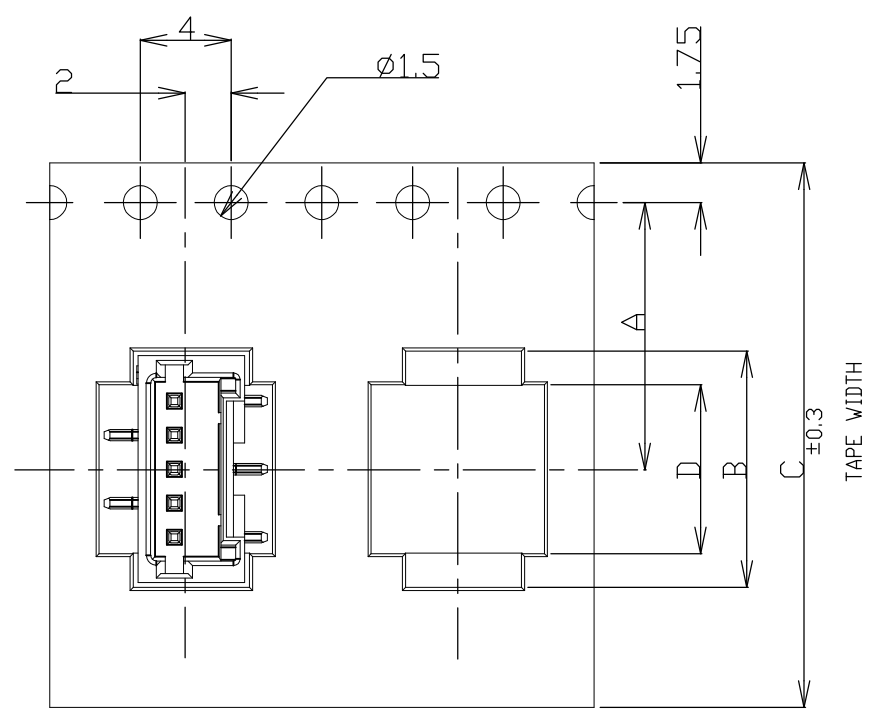
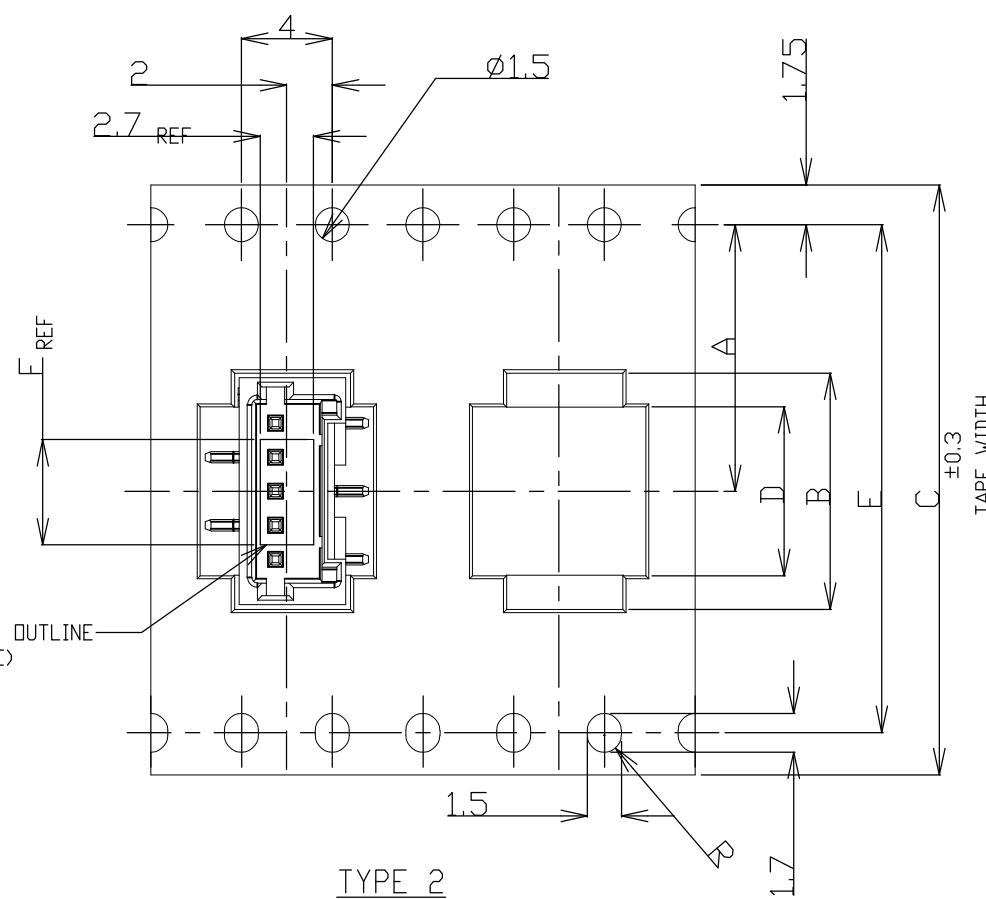


THIS DRAWING IS UNPUBLISHED. RELEASED FOR PUBLICATION
 © COPYRIGHT - By - ALL RIGHTS RESERVED.

LOC	DIST	REVISIONS					
ES	00	P	LTR	DESCRIPTION	DATE	DWN	APVD
		D1		REVISED PER ECO-11-005033	28MAR11	RK	HMR



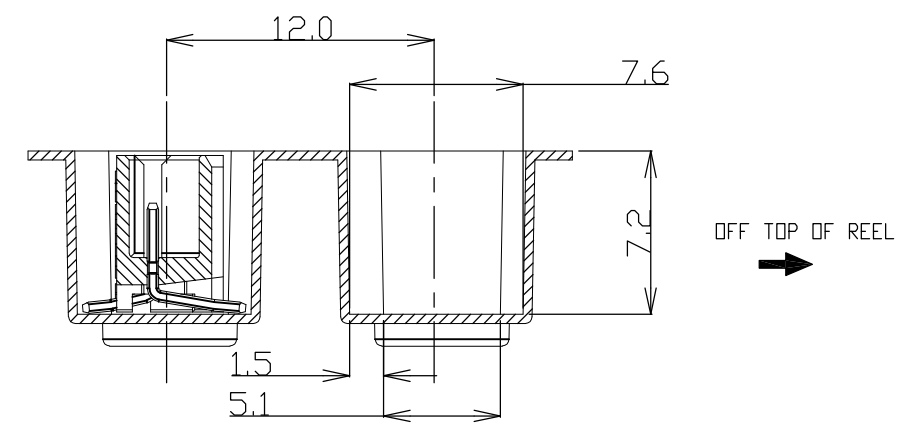
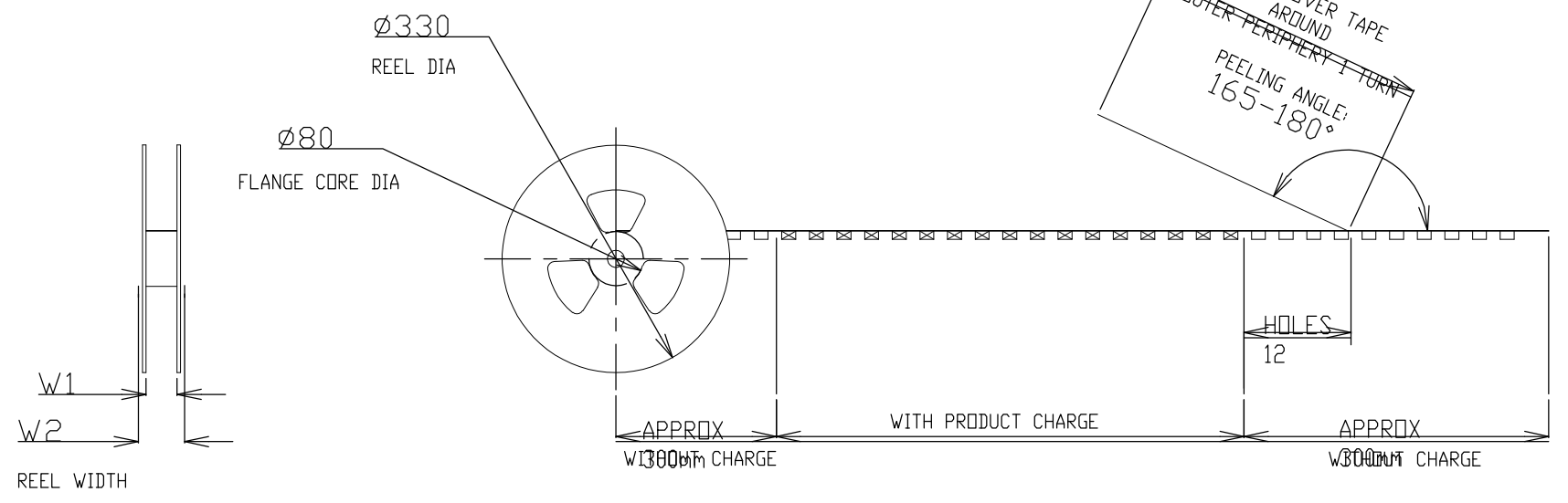
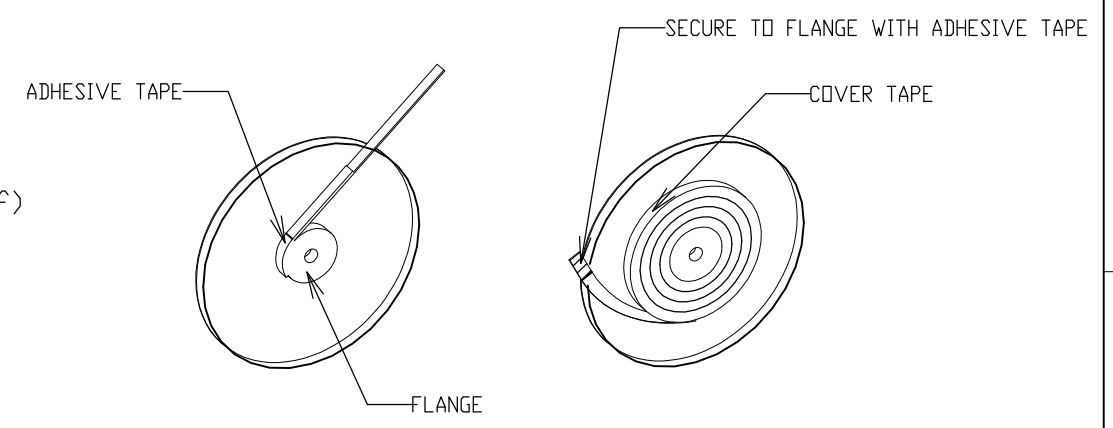
TYPE 1



TYPE 2

TOLERANCES UNLESS OTHERWISE SPECIFIED:
 10 > : ±0.2
 30 > * > 10 : ±0.25
 100 > * > 30 : ±0.3
 ANGLE : ±3°

NOTE:
 1. PEELING STRENGTH: 0.20-0.69N (20-70gf)
 PEELING ANGLE: 165-180°
 PEELING SPEED: 300mm/MINUTE.



THIS DRAWING IS A CONTROLLED DOCUMENT.		DWN S.XU 31JAN03	STE TE Connectivity	
DIMENSIONS: mm		CHK S.YAO 31JAN03		
TOLERANCES UNLESS OTHERWISE SPECIFIED:		APVD T.SASAKI 31JAN03	NAME	
0 PLC ± -		PRODUCT SPEC	AMP MINI COMMON TERMINATED (CT) CONNECTOR	
1 PLC ± -		108-60018	1.5 mm PITCH SINGLE ROW HDR ASS'Y (V)	
2 PLC ± -		APPLICATION SPEC	SMT TYPE WITHOUT BOSS, EMBOSS TAPE PACKAGED	
3 PLC ± -		114-5223	SIZE	RESTRICTED TO
4 PLC ± -		WEIGHT	A300779	
ANGLES ± -		CUSTOMER DRAWING	CAGE CODE	DRAWING NO
FINISH -		SCALE NON	G-292231	SHEET 1 OF 4
				REV D1


THIS DRAWING IS UNPUBLISHED. RELEASED FOR PUBLICATION
 © COPYRIGHT - By - ALL RIGHTS RESERVED.

LOC	DIST	REVISIONS					
ES	00	P	LTR	DESCRIPTION	DATE	DWN	APVD
		-		SEE SHEET 1	-	-	-

TYPE	DIMENSIONS								QTY/REEL	POS	COLOR	ON TAPE P/N	
	W2	W1	F	E	D	C	B	A					
TYPE 2	49.5	45.5	6.2	40.4	29.9	44	32.9	20.2±0.15	500	20	BLACK	7-292231-0	
	49.5	45.5	4.7	40.4	28.4	44	31.4		500	19		6-292231-9	
	49.5	45.5	6.2	40.4	26.9	44	29.9		500	18		6-292231-8	
	49.5	45.5	4.7	40.4	25.4	44	28.4		500	17		6-292231-7	
	49.5	45.5	6.2	40.4	23.9	44	26.9		500	16		6-292231-6	
	49.5	45.5	4.7	40.4	22.4	44	25.4		500	15		6-292231-5	
	49.5	45.5	6.2	40.4	20.9	44	23.9		500	14		6-292231-4	
	49.5	45.5	4.7	40.4	19.4	44	22.4		500	13		6-292231-3	
	37.5	33.5	6.2	28.4	17.9	32	20.9		14.2	500		12	6-292231-2
	37.5	33.5	4.7	28.4	16.4	32	19.4		14.2	500		11	6-292231-1
TYPE 1	29.5	25.5	6.2	-	11.9	24	14.9	11.5	500	8	5-292231-8		
	29.5	25.5	4.7	-	10.4	24	13.4	11.5	500	7	5-292231-7		
	29.5	25.5	6.2	-	8.9	24	11.9	11.5	500	6	5-292231-6		
	29.5	25.5	4.7	-	7.4	24	10.4	11.5	500	5	5-292231-5		
	21.5	17.5	6.2	-	5.9	16	8.9	7.5	500	4	5-292231-4		
	21.5	17.5	4.7	-	4.4	16	7.4	7.5	500	3	5-292231-3		
	21.5	17.5	2.8	-	2.9	16	5.9	7.5	500	2	-		
TAPE TYPE	W2	W1	F	E	D	C	B	A	QTY/REEL	POS	COLOR	ON TAPE P/N	

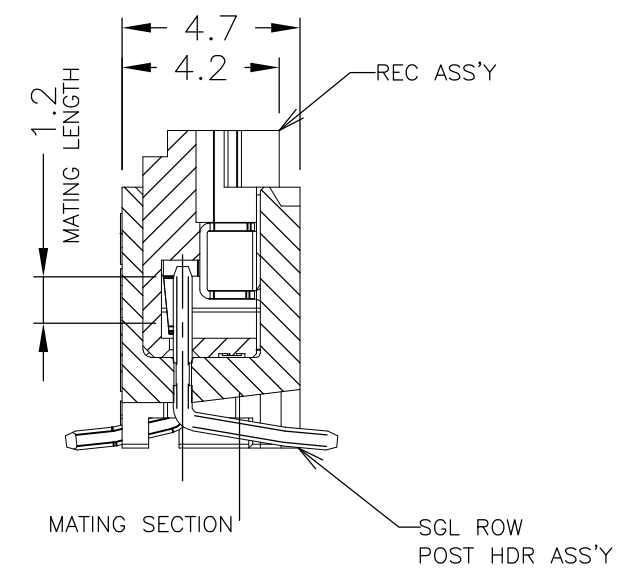
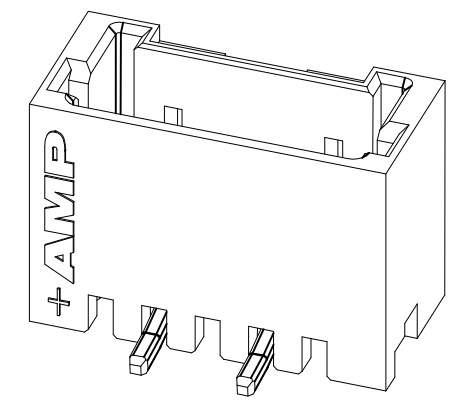
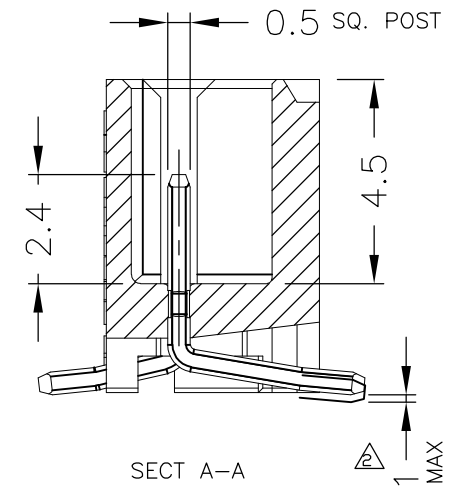
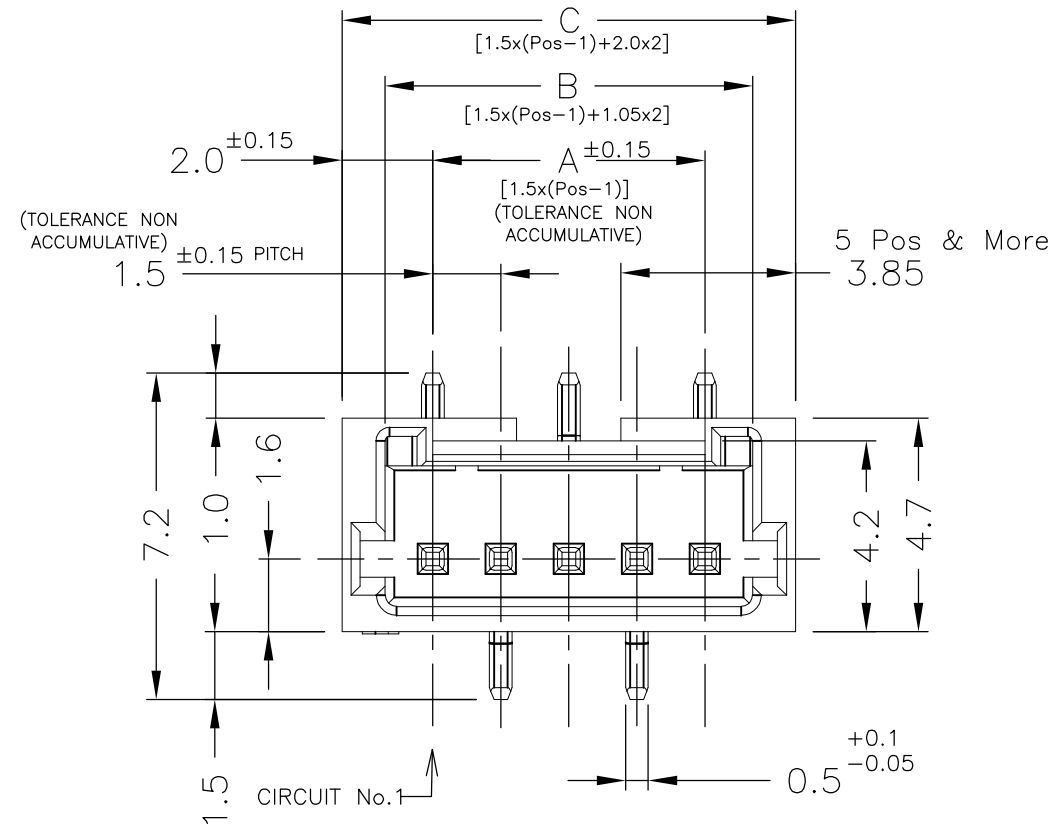
REACTIVATE

TYPE	DIMENSIONS								QTY/REEL	POS	COLOR	ON TAPE P/N	
	W2	W1	F	E	D	C	B	A					
TYPE 2	49.5	45.5	6.2	40.4	29.9	44	32.9	20.2±0.15	500	20	BEIGE	2-292231-0	
	49.5	45.5	4.7	40.4	28.4	44	31.4		500	19		1-292231-9	
	49.5	45.5	6.2	40.4	26.9	44	29.9		500	18		1-292231-8	
	49.5	45.5	4.7	40.4	25.4	44	28.4		500	17		1-292231-7	
	49.5	45.5	6.2	40.4	23.9	44	26.9		500	16		1-292231-6	
	49.5	45.5	4.7	40.4	22.4	44	25.4		500	15		1-292231-5	
	49.5	45.5	6.2	40.4	20.9	44	23.9		500	14		1-292231-4	
	49.5	45.5	4.7	40.4	19.4	44	22.4		500	13		1-292231-3	
	37.5	33.5	6.2	28.4	17.9	32	20.9		14.2	500		12	1-292231-2
	37.5	33.5	4.7	28.4	16.4	32	19.4		14.2	500		11	1-292231-1
TYPE 1	29.5	25.5	6.2	-	11.9	24	14.9	11.5	500	8	292231-8		
	29.5	25.5	4.7	-	10.4	24	13.4	11.5	500	7	292231-7		
	29.5	25.5	6.2	-	8.9	24	11.9	11.5	500	6	292231-6		
	29.5	25.5	4.7	-	7.4	24	10.4	11.5	500	5	292231-5		
	21.5	17.5	6.2	-	5.9	16	8.9	7.5	500	4	292231-4		
	21.5	17.5	4.7	-	4.4	16	7.4	7.5	500	3	292231-3		
	21.5	17.5	2.8	-	2.9	16	5.9	7.5	500	2	-		
TAPE TYPE	W2	W1	F	E	D	C	B	A	QTY/REEL	POS	COLOR	ON TAPE P/N	

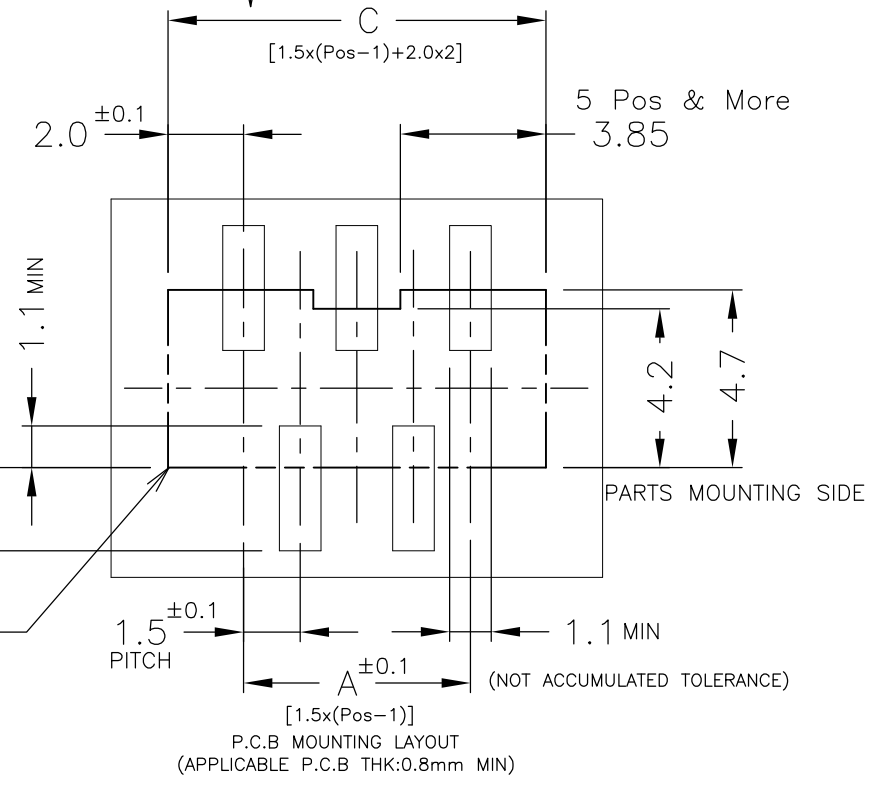
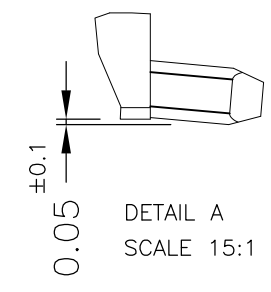
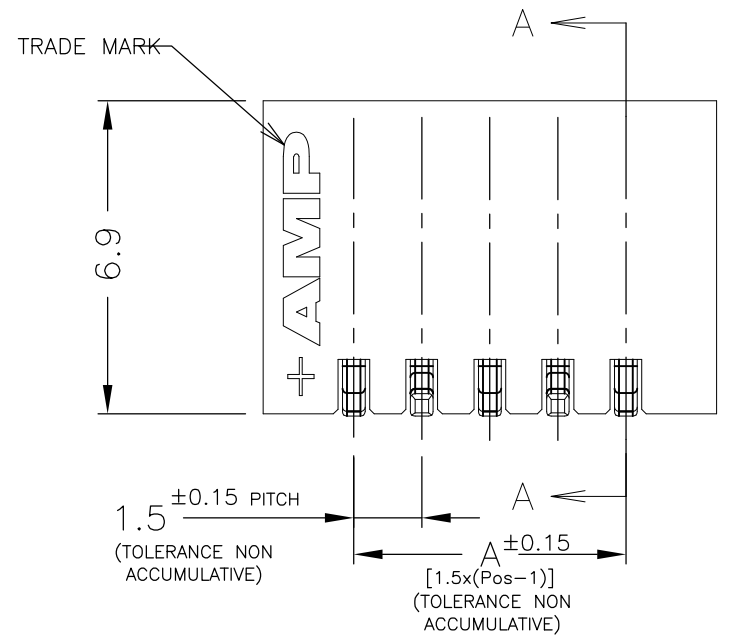
THIS DRAWING IS A CONTROLLED DOCUMENT.		DWN	-	 TE Connectivity			
DIMENSIONS: mm		CHK	-				
TOLERANCES UNLESS OTHERWISE SPECIFIED: 0 PLC ± - 1 PLC ± 0.1 2 PLC ± 0.01 3 PLC ± 0.001 4 PLC ± 0.0001 ANGLES ± -		APVD	-				
MATERIAL		PRODUCT SPEC	SEE SHEET 1 OF 2				
FINISH		APPLICATION SPEC	SEE SHEET 1 OF 2	NAME		AMP MINI COMMON TERMINATED (CT) CONNECTOR	
		WEIGHT	-	SIZE		CAGE CODE	DRAWING NO
		CUSTOMER DRAWING		A300779		C-292231	
				RESTRICTED TO		-	
				SCALE		SHEET	REV
				NON		2 OF 4	D1

THIS DRAWING IS UNPUBLISHED. RELEASED FOR PUBLICATION
 © COPYRIGHT - By - ALL RIGHTS RESERVED.

LOC	DIST	REVISIONS					
ES	00	P	LTR	DESCRIPTION	DATE	DWN	APVD
		-		SEE SHEET 1	-	-	-



CIRCUIT No.1




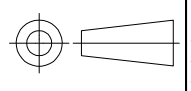
NOTES:
 MATERIAL: HOUSING: GLASS FILLED, HIGH HEAT RESISTANT NYLON, UL94V-0, COLOR: BEIGE OR BLACK
 POST: TIN BRASS WIRE TO BE MEASURED WITH CONNECTOR PLACED ON HORIZONTAL DATUM SURFACE, FLOAT OF SOLDER TINE FROM DATUM SURFACE IS 0.1mm MAX.

THIS DRAWING IS A CONTROLLED DOCUMENT.		DWN J.JIANG 04FEB03	STE TE Connectivity		
		CHK S.YAO 04FEB03			
DIMENSIONS: mm		APVD T.SASAKI 04FEB03	NAME		
TOLERANCES UNLESS OTHERWISE SPECIFIED:		PRODUCT SPEC 108-60018	AMP MINI COMMON TERMINATED (CT) CONNECTOR		
0 PLC ± -		APPLICATION SPEC 114-5223	1.5 mm PITCH SINGLE ROW POST HDR ASS'Y (V)		
1 PLC ± -		WEIGHT SEE TABLE	SIZE A3	CAGE CODE 00779	DRAWING NO C-292231
2 PLC ± -		CUSTOMER DRAWING	RESTRICTED TO		
3 PLC ± -			SCALE NON	SHEET 3 OF 4	REV D1
4 PLC ± -					
ANGLES ± -					
FINISH					
SEE NOTE A					

THIS DRAWING IS UNPUBLISHED. RELEASED FOR PUBLICATION - , - .
 © COPYRIGHT - By - ALL RIGHTS RESERVED.

LOC	DIST	REVISIONS					
		P	LTR	DESCRIPTION	DATE	DWN	APVD
ES	00		-	SEE SHEET 1	-	-	-

0.98	32.5	30.6	28.5	20	7-292231-0	2-292231-0
0.93	31.0	29.1	27.0	19	6-292231-9	1-292231-9
0.89	29.5	27.6	25.5	18	6-292231-8	1-292231-8
0.84	28.0	26.1	24.0	17	6-292231-7	1-292231-7
0.80	26.5	24.6	22.5	16	6-292231-6	1-292231-6
0.75	25.0	23.1	21.0	15	6-292231-5	1-292231-5
0.71	23.5	21.6	19.5	14	6-292231-4	1-292231-4
0.66	22.0	20.1	18.0	13	6-292231-3	1-292231-3
0.62	20.5	18.6	16.5	12	6-292231-2	1-292231-2
0.57	19.0	17.1	15.0	11	6-292231-1	1-292231-1
0.52	17.5	15.6	13.5	10	6-292231-0	1-292231-0
0.48	16.0	14.1	12.0	9	5-292231-9	292231-9
0.43	14.5	12.6	10.5	8	5-292231-8	292231-8
0.39	13.0	11.1	9.0	7	5-292231-7	292231-7
0.34	11.5	9.6	7.5	6	5-292231-6	292231-6
0.30	10.0	8.1	6.0	5	5-292231-5	292231-5
0.25	8.5	6.6	4.5	4	5-292231-4	292231-4
0.20	7.0	5.1	3.0	3	5-292231-3	292231-3
0.17	5.5	3.6	1.5	2	-	-
WEIGHT (g)	C	B	A	Pos.	BLACK	BEIGE (NAT)
	DIMENSIONS				P/N	

THIS DRAWING IS A CONTROLLED DOCUMENT.		DWN	 TE Connectivity			
DIMENSIONS: mm		CHK				
		APVD				
TOLERANCES UNLESS OTHERWISE SPECIFIED: 0 PLC ± - 1 PLC ± - 2 PLC ± - 3 PLC ± - 4 PLC ± - ANGLES ± -		PRODUCT SPEC				
MATERIAL	FINISH	APPLICATION SPEC	NAME AMP MINI COMMON TERMINATED (CT) CONNECTOR 1.5 mm PITCH SINGLE ROW POST HDR ASS'Y (V) SMT TYPE WITHOUT BOSS			
SEE SHEET 1	SEE SHEET 1	WEIGHT	SIZE	CAGE CODE	DRAWING NO	RESTRICTED TO
		-	A3	00779	C-292231	-
CUSTOMER DRAWING			SCALE	SHEET	REV	
			NON	4 OF 4	D1	