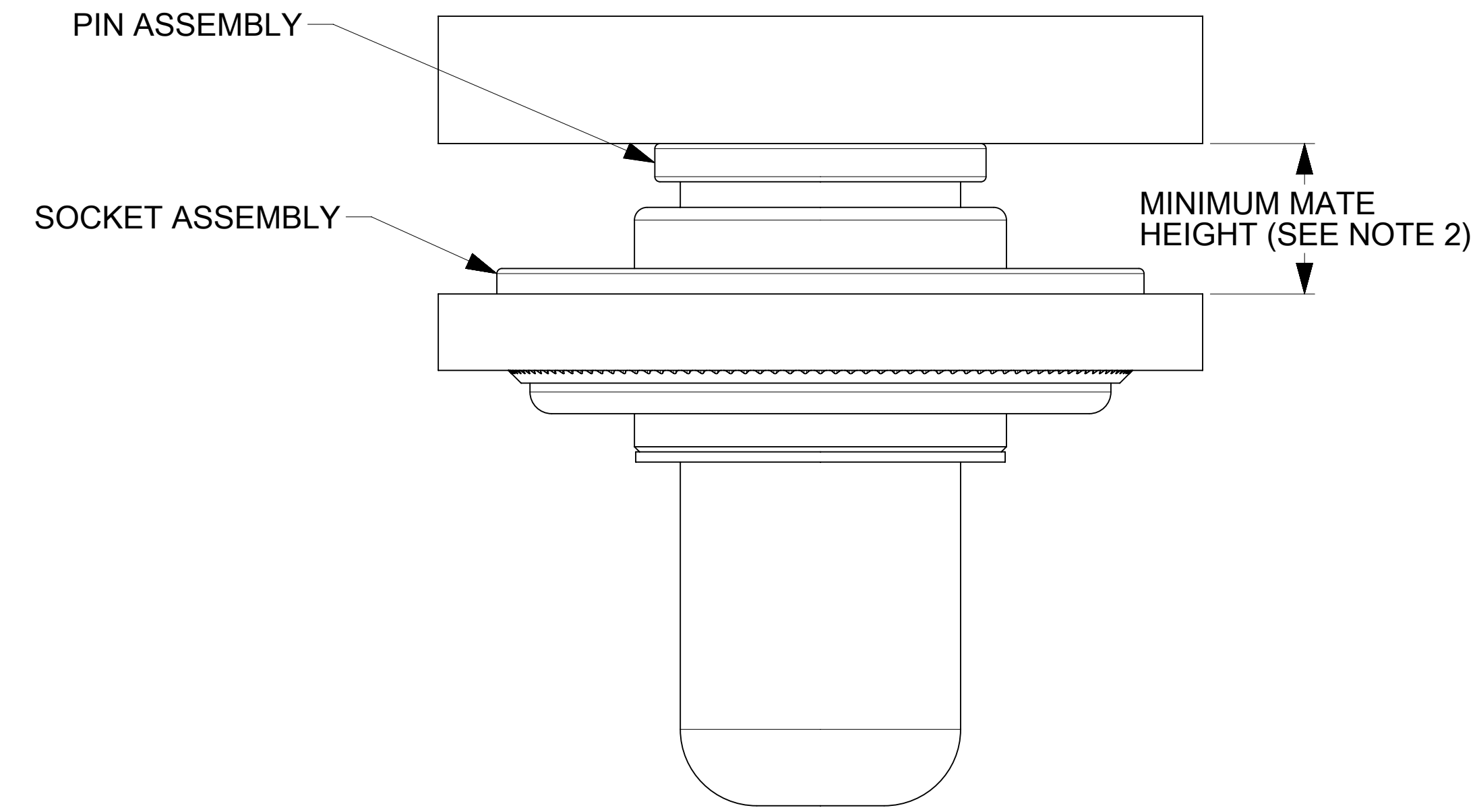
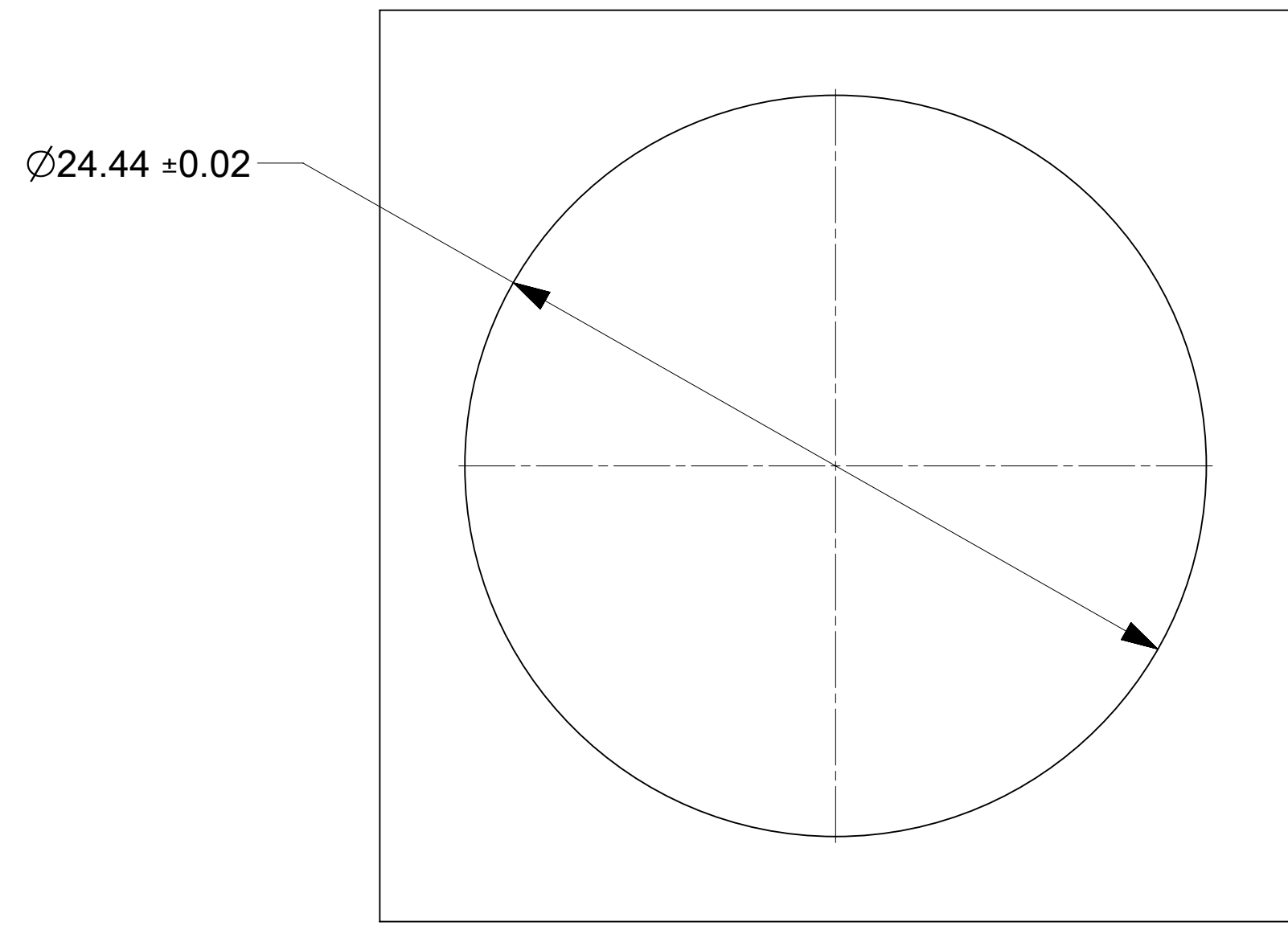
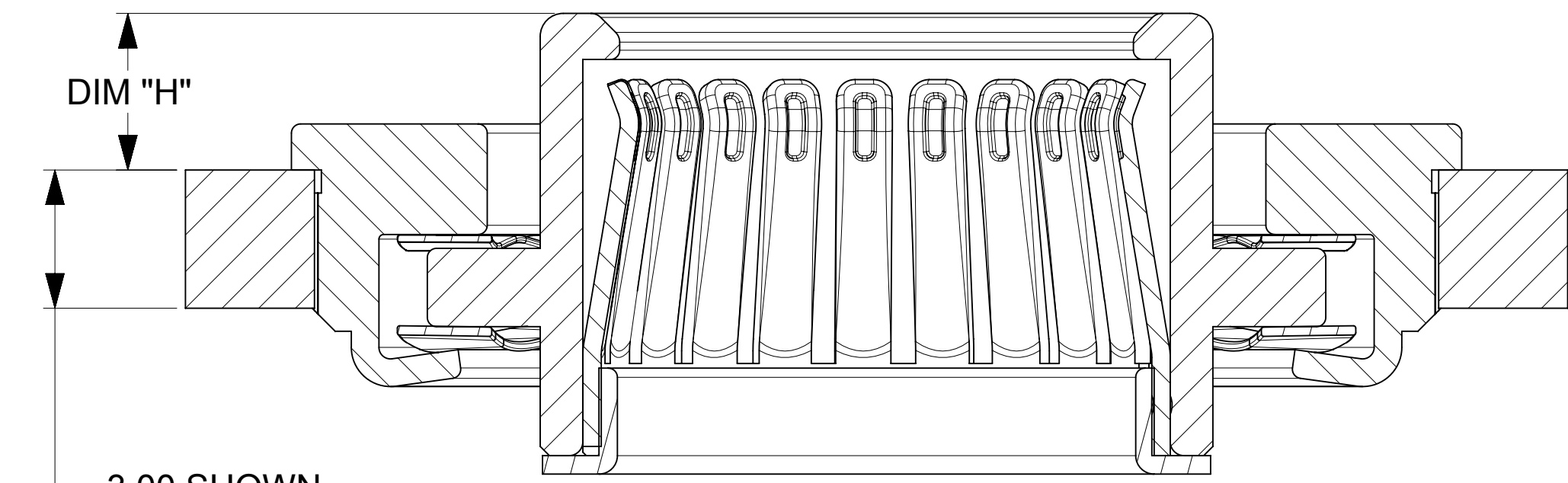
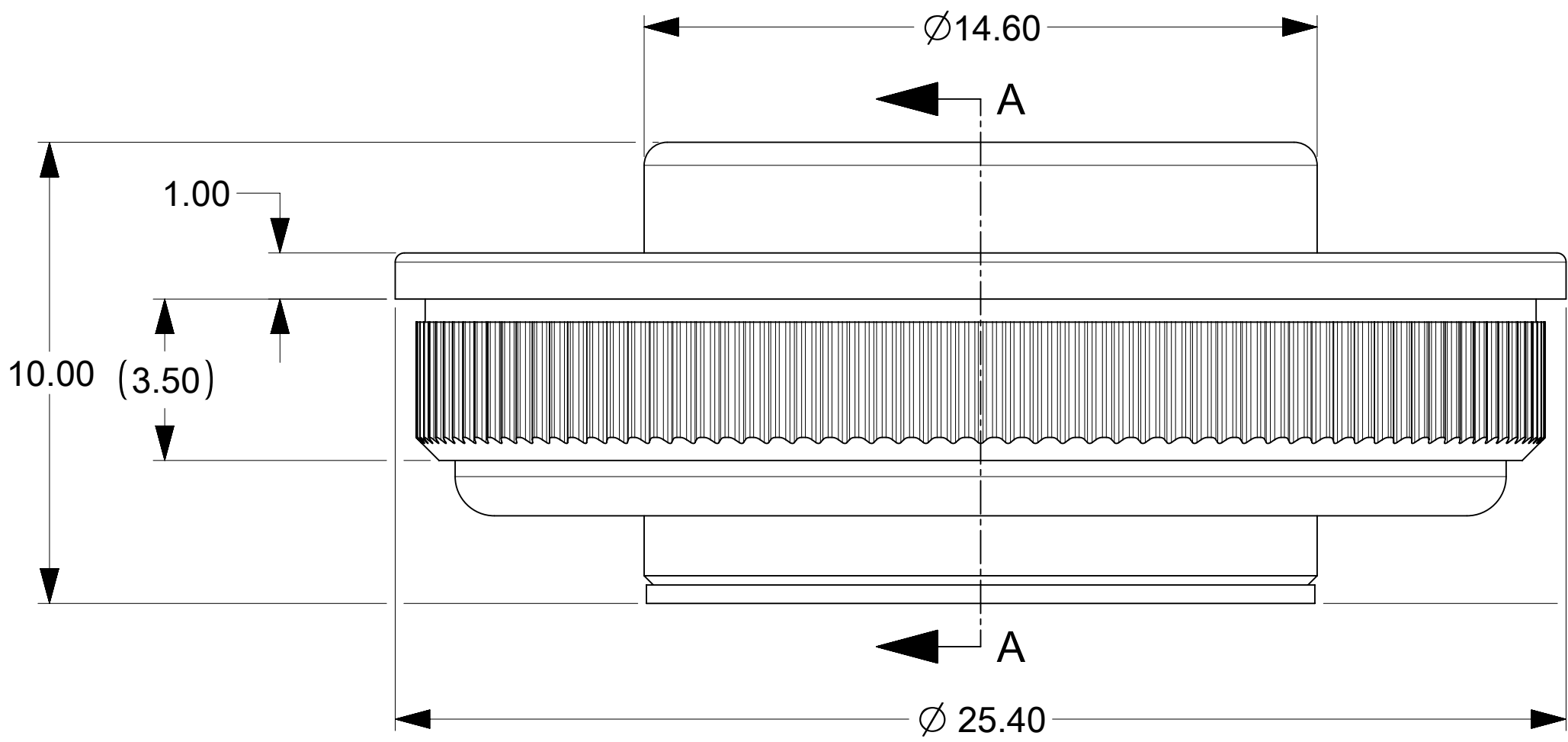
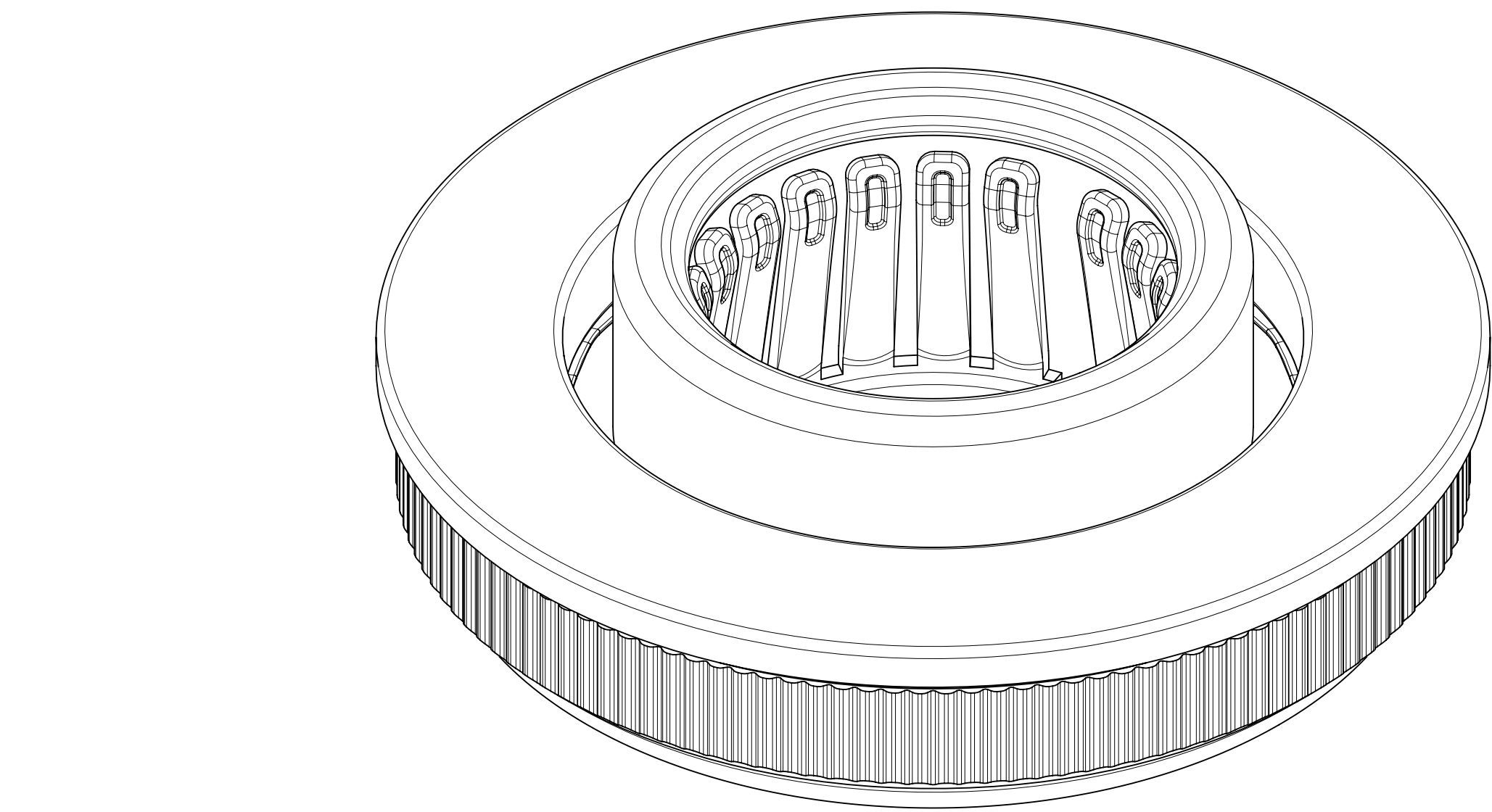


PART NUMBER	DIM "H"	NOTE
213680-0001	3.40± 0.3	N/A

RECOMMENDED DRILL (ON BUSBAR)

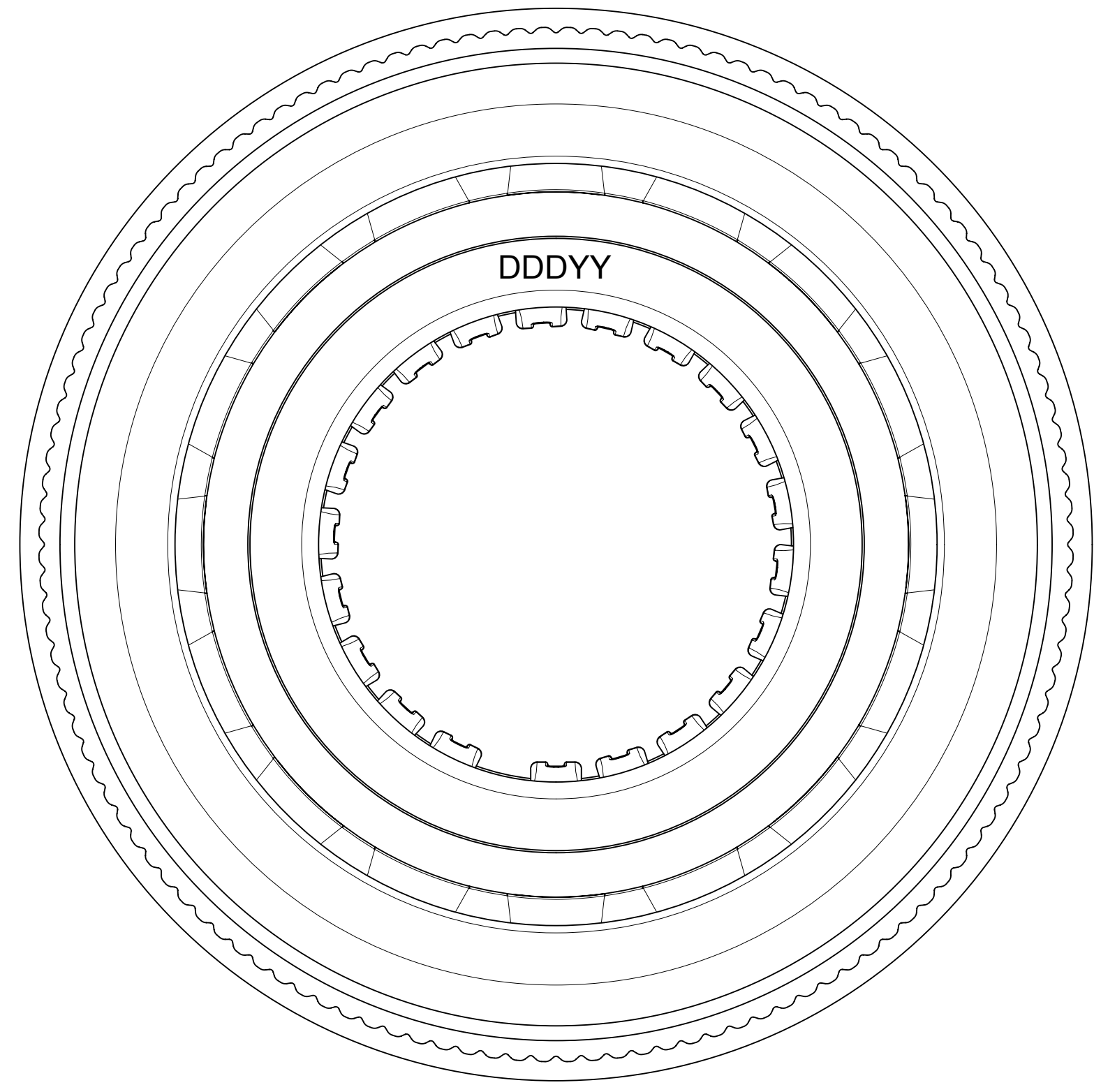


MATING PROFILE



SECTION A-A

- NOTES:**
- MATERIALS:**
RETENTION CAP: STAINLESS STEEL
PICK AND PLACE CAP: LCP UL94, V-0 COLOR BLACK
BASE METAL: HIGH CONDUCTIVE COPPER ALLOY
PLATING ON CONTACTS: 0.75 MICRON MIN GOLD OVER 1.27 MICRON MIN NICKEL
PLATING ON BODY: 3.18 MICRON MIN SILVER OVER 1.27 MICRON MIN NICKEL
 - MATES WITH MOLEX 11MM MALE PIN:**
 - 11.0MM SMT MALE PIN DRAWING 213901-0000-SD, MIN. MATING DISTANCE 5.55MM
 - 11.0MM PRESS FIT MALE PIN DRAWING 213900-0000-SD, MIN. MATING DISTANCE 5.90MM
 - 11.0MM SCREW MOUNT MALE PIN DRAWING 213902-0000-SD, MIN. MATING DISTANCE 8.9MM
 - PRODUCT SPECIFICATION:** 2138800001-PS
 - APPLICATION SPECIFICATION:** 2138800001-AS
SEE APPLICATION SPEC FOR SOLDERING INFORMATION.
 - PACKAGING SPECIFICATION:** 2136800001-PK(TRAY PACKAGING)
 - SILVER COMPONENTS WILL BE SUPPLIED TARNISH FREE BUT MAY TARNISH OVER TIME.
 - PICK AND PLACE CAP TO BE REMOVED AFTER SOLDERING. CAP TO BE PUSHED OUT OF BOTTOM FROM THE TOP.



THIS DRAWING CONTAINS INFORMATION THAT IS PROPRIETARY TO MOLEX ELECTRONIC TECHNOLOGIES, LLC AND SHOULD NOT BE USED WITHOUT WRITTEN PERMISSION											
DIMENSION UNITS	SCALE	CURRENT REV DESC: UPDATED THE TITLE BLOCK									
mm	NTS	<div style="text-align: right; font-weight: bold; font-size: 24pt;">molex</div> 11.0MM SENTRALITY TOP ENTRY PRESS-FIT SOCKET WITH FLOAT IN TRAY PRODUCT CUSTOMER DRAWING									
GENERAL TOLERANCES (UNLESS SPECIFIED)											
ANGULAR TOL	± 0.5°										
4 PLACES	±										
3 PLACES	±										
2 PLACES	± 0.15	EC NO: 747243	2023/02/28		DOCUMENT NUMBER				DOC TYPE	DOC PART	REVISION
1 PLACE	± 0.25	DRWN: SACHIK7	2023/04/25		2136800001-SD				PSD	000	A3
0 PLACES	±	CHK'D: SCS02	2023/04/26		11.0MM SENTRALITY TOP ENTRY PRESS-FIT SOCKET WITH FLOAT IN TRAY						
DRAFT WHERE APPLICABLE MUST REMAIN WITHIN DIMENSIONS		THIRD ANGLE PROJECTION		DRAWING	SERIES	MATERIAL NUMBER		CUSTOMER			SHEET NUMBER
				D-SIZE	213680	SEE CHART		GENERAL MARKET		1 OF 1	