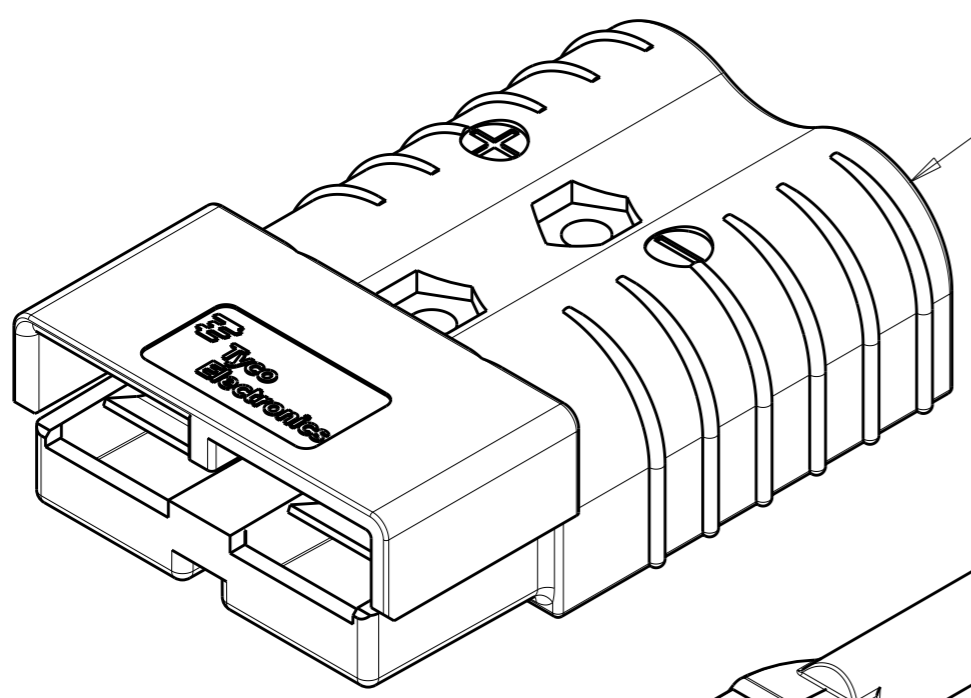


THIS DRAWING IS UNPUBLISHED. RELEASED FOR PUBLICATION 20
 © COPYRIGHT 20 BY TYCO ELECTRONICS CORPORATION. ALL RIGHTS RESERVED.

LOC	DIST	REVISIONS			
P	LTR	DESCRIPTION	DATE	DWN	APVD
FT	0	AI	REVISED PER ECR-10-010379	24MAY2010	HMR JR



HOUSING-SPRING SUB-ASSY, 1 REQD
 TYCO PART NUMBER
 1604050-1 THRU -6 (INCLUSIVE)
 MAY BE ORDERED SEPARATELY

CONTACT, 1/0 AWG, 2 REQD
 TYCO PART NUMBER 1604055-1
 MAY BE ORDERED SEPARATELY

GREEN	1604060-6
BLUE	1604060-5
GRAY	1604060-4
RED	1604060-3
ORANGE	1604060-2
YELLOW	1604060-1
HOUSING COLOR	PART NUMBER

<small>THIS DRAWING IS A CONTROLLED DOCUMENT FOR TYCO ELECTRONICS CORPORATION IT IS SUBJECT TO CHANGE AND THE CONTROLLING ENGINEERING ORGANIZATION SHOULD BE CONTACTED FOR THE LATEST REVISION.</small>		DWN 10APR2002 Brent D. Yohn CHK 10APR2002 W.H. BERNHART APVD 10APR2002 W.H. BERNHART		Tyco Electronics Harrisburg, PA 17105-3608	
DIMENSIONS: mm 		TOLERANCES UNLESS OTHERWISE SPECIFIED: 0 PLC ±- 1 PLC ±0.4 2 PLC ±0.13 3 PLC ±0.050 4 PLC ±- ANGLES ±-		NAME CONNECTOR KIT, SERIES 350 AMP, POWER CONNECTOR, 1/0 AWG WIRE	
MATERIAL - FINISH -		PRODUCT SPEC - APPLICATION SPEC - WEIGHT -		SIZE A3 CAGE CODE 00779 DRAWING NO C-1604060 RESTRICTED TO -	
CUSTOMER DRAWING				SCALE SHEET OF REV AI	