

ENG. NO

EDP NO.

SIMILAR ITEM

CAD FILE NO.

DO NOT SCALE DRAWING

F

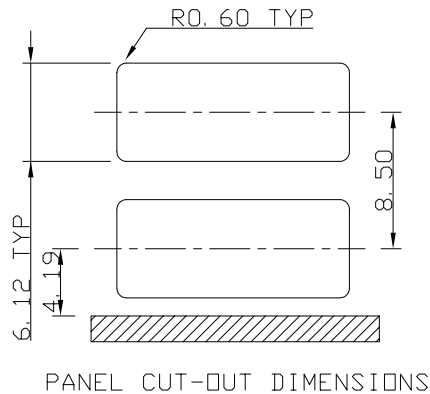
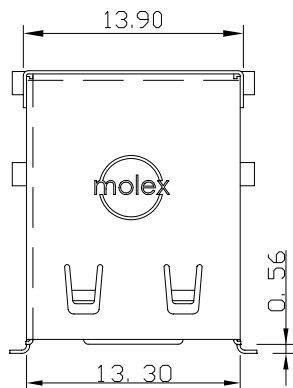
E

D

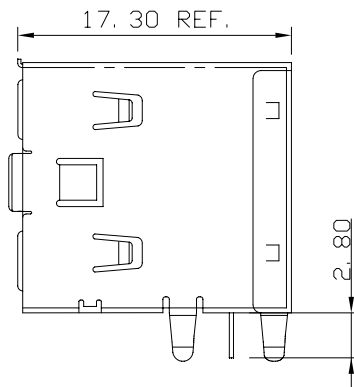
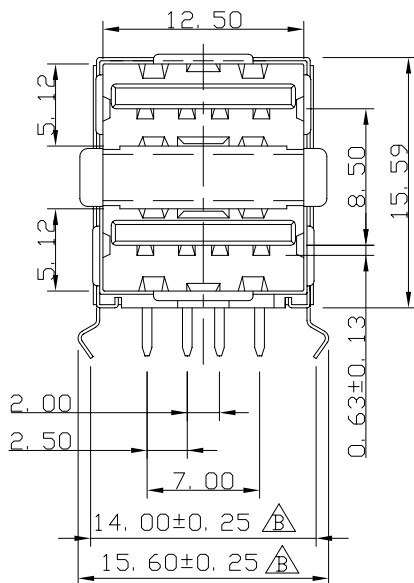
C

B

A



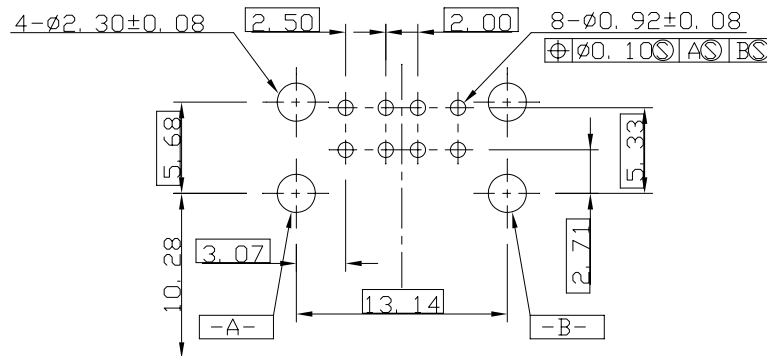
PANEL CUT-OUT DIMENSIONS



P/N	COLOR	CONTACT PLATING
67298-3000	BLACK	GOLD FLASH
67298-4000	WHITE	GOLD FLASH
67298-3001	BLACK	30u" GOLD
67298-4001	WHITE	30u" GOLD

NOTE :

- MATERIAL :
HOUSING : POLYESTER(PBT), 30% GLASS FIBER FILLED, UL94-V0, COLOR: WHITE OR BLACK
TERMINAL : PHOSPHOR BRONZE
METAL SHELL : SPCC & SUS
- PLATING :
TERMINAL :
CONTACT AREA : SEE TABLE
SOLDER TAIL : TIN-LEAD (Sn-Pb) ALLOY, THICKNESS=75 MICROINCH MIN.
/1.9 MICROMETER MIN.
UNDER PLATE : NICKEL(Ni), THICKNESS=50 MICREINCH MIN.
/1.27 MICROMETER MIN.
METAL SHELL : TIN PLATING, THICKNESS=100 MICROINCH MIN.
/2.54 MICROMETER MIN.
UNDER PLATE : NICKEL (Ni), THICKNESS=50 MICROINCH MIN.
/1.27 MICROMETER MIN.
- RECOMMENDED PCB THICKNESS : 1.60+/-0.05mm
- PRODUCT SPECIFICATION : REFER TO PS-67998-0000
- PACKAGING REFER TO PK-67298-001
- THE HOUSING MATERIAL IS NOT FOR IR REFLOW PROCESS OR SURFACE MOUNTING COMPATIBLE PROCESS.



RECOMMENDED PCB LAYOUT

ADD PARTS	PER EWR	PER EWR	PER EWR	QUALITY SYMBOLS	GENERAL TOLERANCES: (UNLESS SPECIFIED)	SCALE	DESIGN UNITS	THIRD ANGLE PROJECTION	TITLE:	DIMENSIONS:	SHT	REV
EC NO. T2004-0064 DRWN: IVY LIN CHK: Sam Shin APPR: Erick Lan	EC NO. T2004-0012 DRWN: LINDA CHK: Sam Shin APPR: Erick Lan	EC NO. T2004-0026 DRWN: LINDA CHK: Sam Shin APPR: Erick Lan	EC NO. T2003-0144 DRWN: LINDA CHK: Thompson Wu APPR: Erick Lan	MAJOR CRITICAL	mm INCH	2.5:1	mm INCH	THIRD ANGLE PROJECTION	USB DUAL STACKED A CONNECTOR	mm INCH mm ONLY		
D	C	B	REV	DESCRIPTION	4 PLACES \ /							

DESCRIPTION	APPROVED BY & DATE	CAD FILENAME	MATERIAL NO.	DRAWING NO.	SHEET NO.
4 PLACES \ /	Ivy Lin 10/22/03	S6729803S1.PDF	SEE TABLE	SD-67298-003	1 OF 1
3 PLACES \ /					
2 PLACES ±0.25					
1 PLACE ±0.25					
ANGULAR: ±3°					
DRAFT WHERE APPLICABLE MUST REMAIN WITHIN DIMENSIONS	THIS DRAWING CONTAINS INFORMATION THAT IS PROPRIETARY TO MOLEX INCORPORATED AND SHOULD NOT BE USED WITHOUT WRITTEN PERMISSION.				SIZE A4