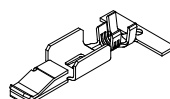
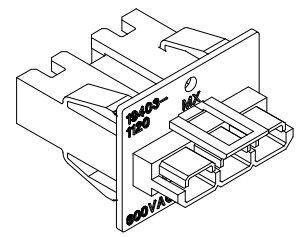
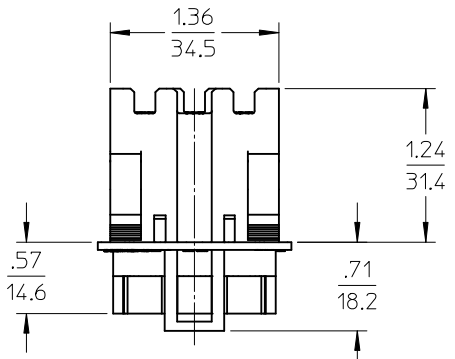
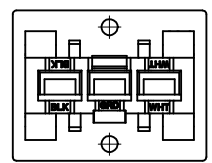
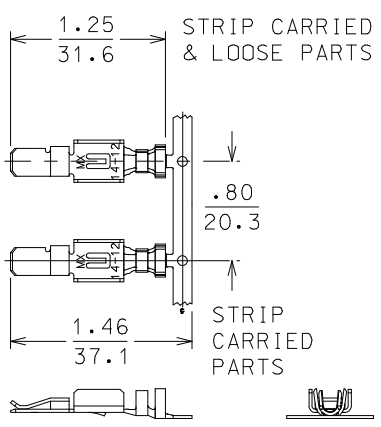


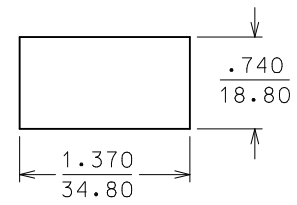
MATERIAL NUMBER	DESCRIPTION
194031120	SC HEADER
194031130	TERMINAL, STRIP CARRIED
194031131	TERMINAL, LOOSE PIECE



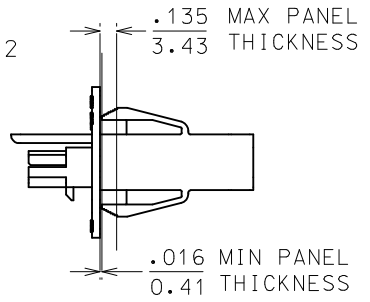
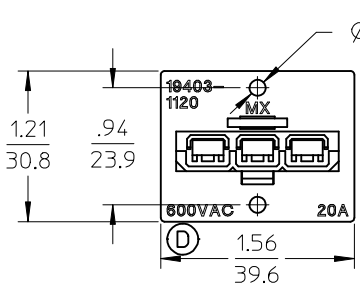
ISOMETRIC VIEW
TERMINAL, STRIP CARRIED



ISOMETRIC VIEW
SC HEADER



RECOMMENDED PANEL CUTOUT



SALES DRAWING

NOTES:
1) TERMINAL MATERIAL: HIGH COPPER ALLOY
PLATING: TIN
2) HOUSING MATERIAL: POLYESTER UL94-5VA

600VAC WAS 300VAC EC NO: ETC2005-0125 DRAWN BY: RICK 2005/01/25 CHKD: RDEROSS 2005/01/26 APPR: RDEROSS 2005/01/26	DESCRIPTION REV	QUALITY SYMBOLS	GENERAL TOLERANCES (UNLESS SPECIFIED)	DIMENSION STYLE	SCALE	DESIGN UNITS	THIRD ANGLE PROJECTION
		▽=0 ▽=0	mm INCH 4 PLACES ± --- ± --- 3 PLACES ± --- ± .005 2 PLACES ± 0.13 ± .01 1 PLACE ± 0.3 ± --- ANGULAR ± 1/2°	IN/MM DRAWN BY DATE DYOUNG 00/01/18 CHECKED BY DATE RDEROSS 00/01/18 APPROVED BY DATE RDEROSS 00/01/18	1:1 INCH	CUSTOMER DRAWING SC PANEL MOUNT CONNECT 14-12 AWG	
		DRAFT WHERE APPLICABLE MUST REMAIN WITHIN DIMENSIONS	MATERIAL NO. SEE CHART	DOCUMENT NO. SD-19403-117	SHEET NO. 1 OF 1		
		THIS DRAWING CONTAINS INFORMATION THAT IS PROPRIETARY TO MOLEX INCORPORATED AND SHOULD NOT BE USED WITHOUT WRITTEN PERMISSION					