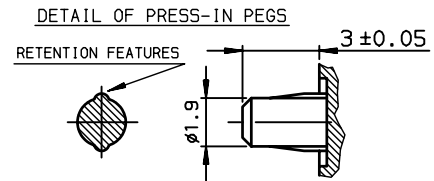
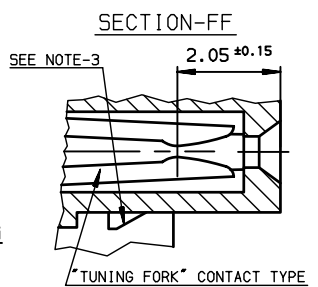
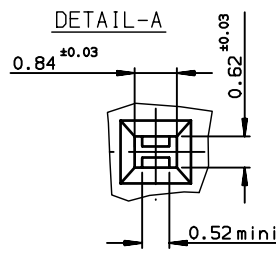
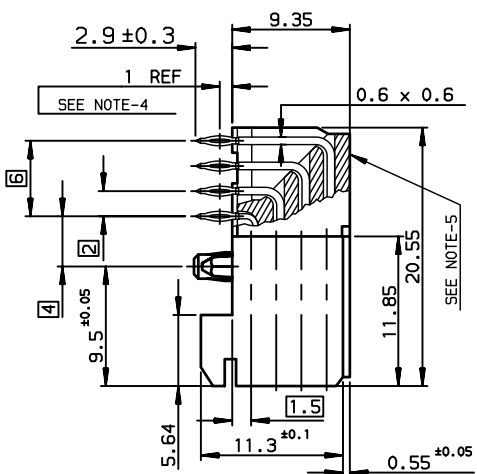
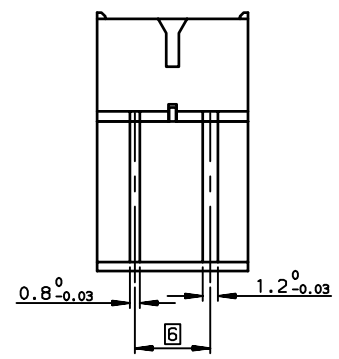
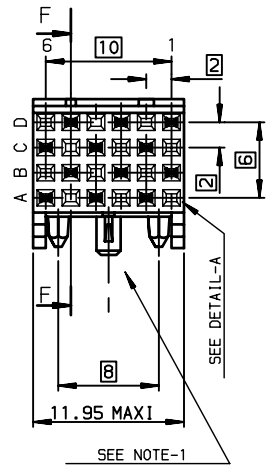
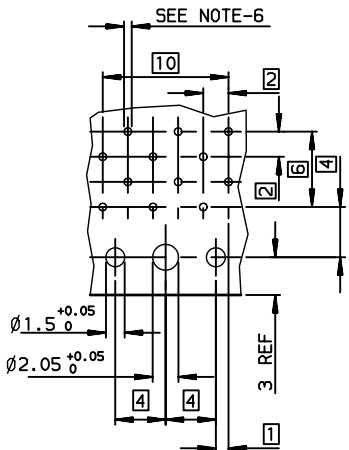


LAYOUT FOR P.C.B



TIN LEAD PART NUMBER  
PART NUMBER : HM1F41FDP131H6

LEAD-FREE PART NUMBER  
PART NUMBER : HM1F41FDP131H6LF

CONTACTS IN POSITION : ROW a-c CAVITY 2-4-6 AND ROW b-d CAVITY 1-3-5

- NOTE-1: PRESS-IN RETENTION PEG
- NOTE-2: CONNECTORS WITH PCB-2.4mm ARE COMPATIBLE WITH WIDE AND NARROW BODIES
- NOTE-3: PLUG FOR CODING KEY FIXING
- NOTE-4: EYE OF THE NEEDLE PRESS-FIT CTS TYPE
- NOTE-5: FLAT ROCK INSERTION TOOLING IN PCB, SEE DRW REF: C-8626-1003
- NOTE-6: METALIZED HOLE DEFINITION, SEE GS-12-447
- NOTE-7: PRESS FIT PIN FOR PCB HOLE Ø 0.7 REF
- NOTE-8: STANDARD PACKAGING IS IN TUBE ,BUT IF SUFFIX "P" IS ADDED IN P/N ,PACKAGING IS IN TRAYS ,BUT CONNECTOR MARKING IS WITHOUT "P"  
Example: HM1FxxxxxxxH6PLF, marking: HM1FxxxxxxxH6LF

GENERAL CHARACTERISTICS AND ROHS INFORMATIONS:

SEE GS-12-447

European Views

www.fciconnect.com			surface ISO 1302 ✓	tolerance std ISO 406 ISO 1101	projection mm	TOLERANCES UNLESS OTHERWISE SPECIFIED		
Dr	CHAMPION	1996/01/12	ANGULAR	LINEAR	0.X	±0.1	size A3	Scale 2.5
Eng	LENOIR	1996/01/12			0.XX	±0.1		
Chr	LEGARE	1996/01/12	0.XX' ±2'	0.XXX	±0.1	ECN	LS07-0266	
Appr	LEGARE	1996/01/12	Product family		METRAL	Spec ref -		
FCj			title METRAL FEMALE 4 ROWS 12 CTS RIGHT ANGLE PRESS-FIT/PRESS-IN PEG			dwg no C-8626-0710		Rev. E
-			catalog no			CUSTOMER		sheet 1 of 1

rev	ecn no	dr	date
A	-	-	1996/01/12
B	LS05-004	MLE	2005/02/17
C	LS06-0095	LGO	2006/07/12
D	LS06-0159	MLE	2006/10/30
E	LS07-0266	MLE	2007/11/06
-	-	-	-
-	-	-	-