

1

2

3

4

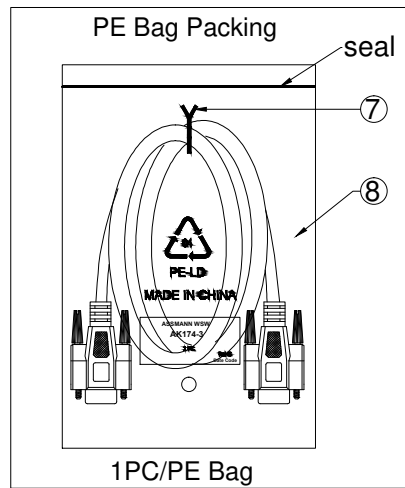
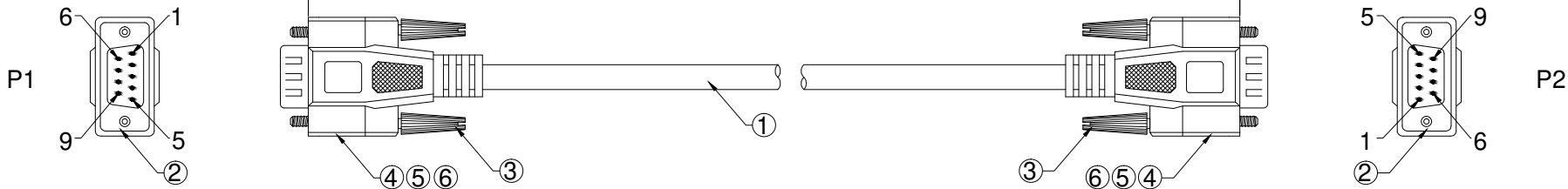
5

6

7

A

A



① PIN ASSIGNMENT

P1 P2

1	1
2	2
3	3
4	4
5	5
6	6
7	7
8	8
9	9

Shell Shell

Electrical test:

- 100% short, open, miss wire test
- Conduct resistance: 2 Ohm max.
- Insulator resistance: 5Mohm min.
- Hi-Pot: 300V DC/10ms

NO.	NAME.	QTY	SPECIFICATION
⑧	PE Bag	1pcs	Clear Print black "MADE IN CHINA"+ "1PC"
⑦	Tie	1pcs	White tie
⑥	Outermold	NA	PVC 45P Beige(BG002)
⑤	Innermold	NA	LD-PE
④	Tube	2pcs	Heat shrink tube black OD:Ø1.5*L15mm
③	Screw	4pcs	Screw #4-40UNC D-E L=32.5mm Nickel plated Insulator color:Beige(BG002)
②	CONN	2pcs	DB 9Pin male, Pin:G/F Shell-Nickel Insulator color:Blue solder type
①	Cable	1pcs	No UL 28AWG(7/0.12TC)*9C+D+AL/Mylar Jacket PVC, Beige(BG002) OD:5.0mm

RoHS compliant
Unit:mm

Scale	Free					Date	Name	Customer-No.
TOLERANCE					Drawn	05.04.2016	Amy	ASSMANN WSW-No. AK174-3
					Approved	05.04.2016	Amy	
DIM	TOL	①	Update pin assignment	20.12.2018	Xavier			Drawing-No. ASS 7605 CA
		②	Drawn	05.04.2016	Amy			rev01
Angle	TOL	Id.	Modification	Date	Name			Replace

1

2

3

4

5

6

7

H

H