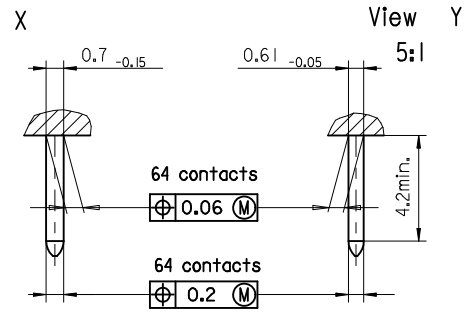
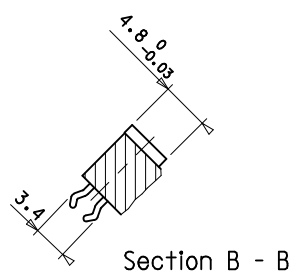
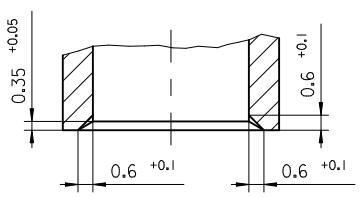


View X
5:1



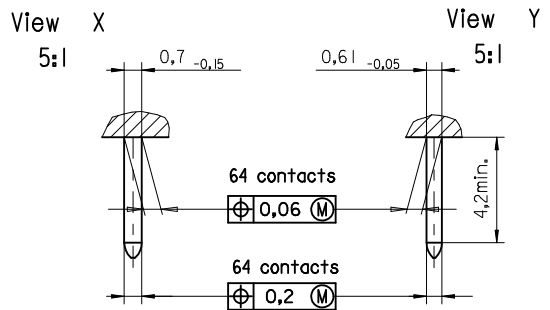
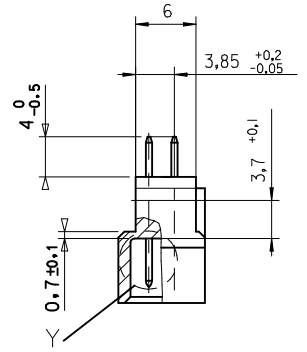
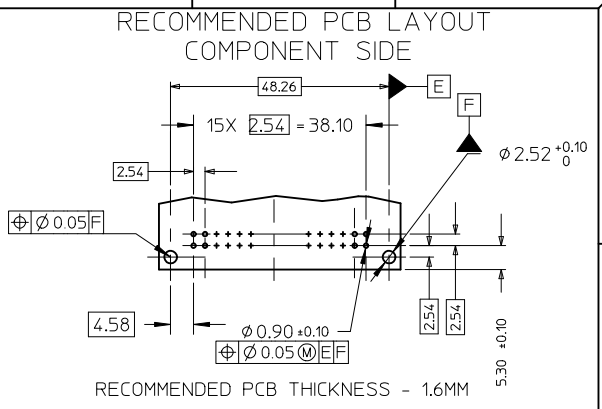
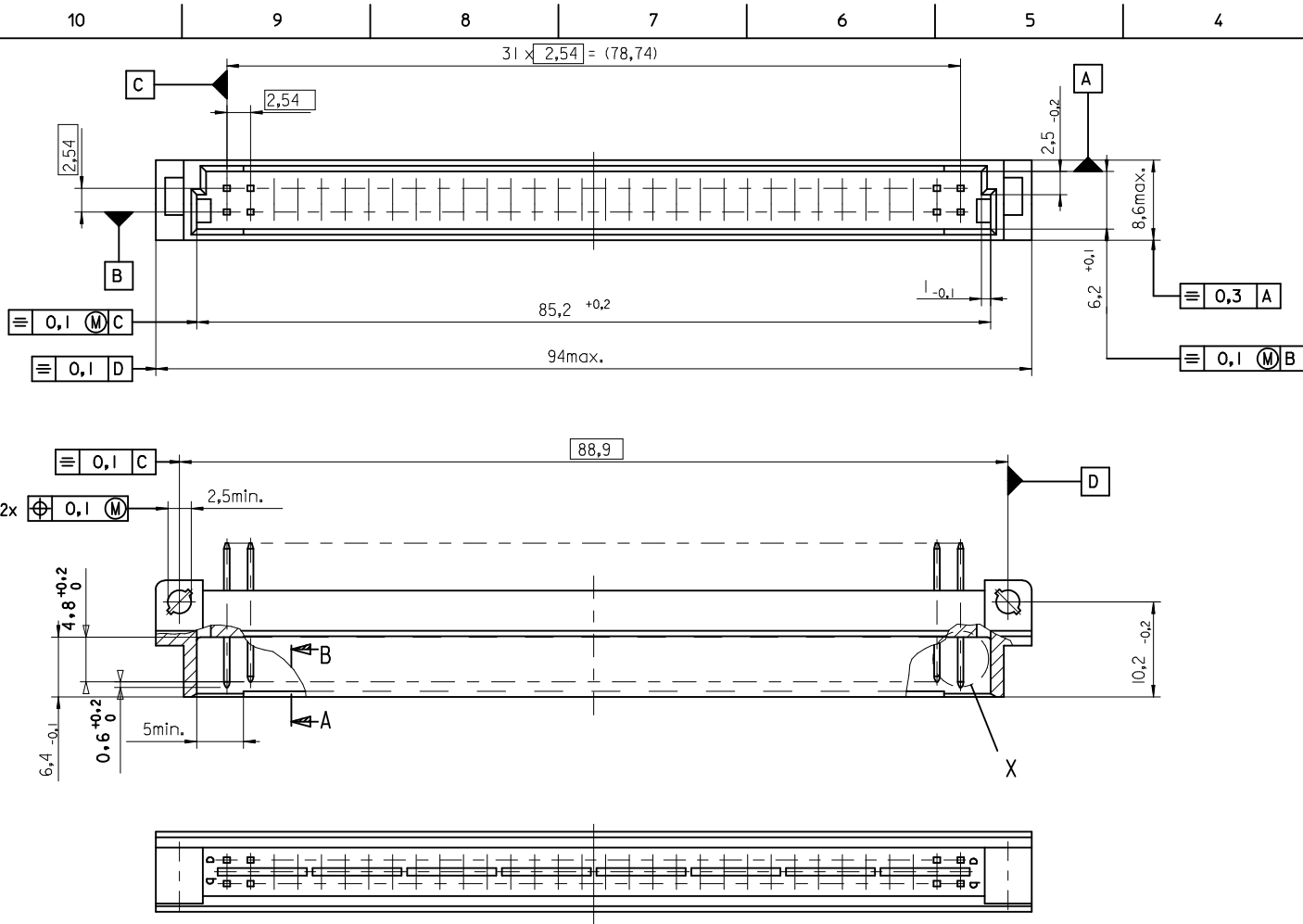
View Y
5:1

Section A - A
5:1

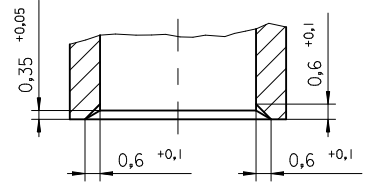


Section B - B

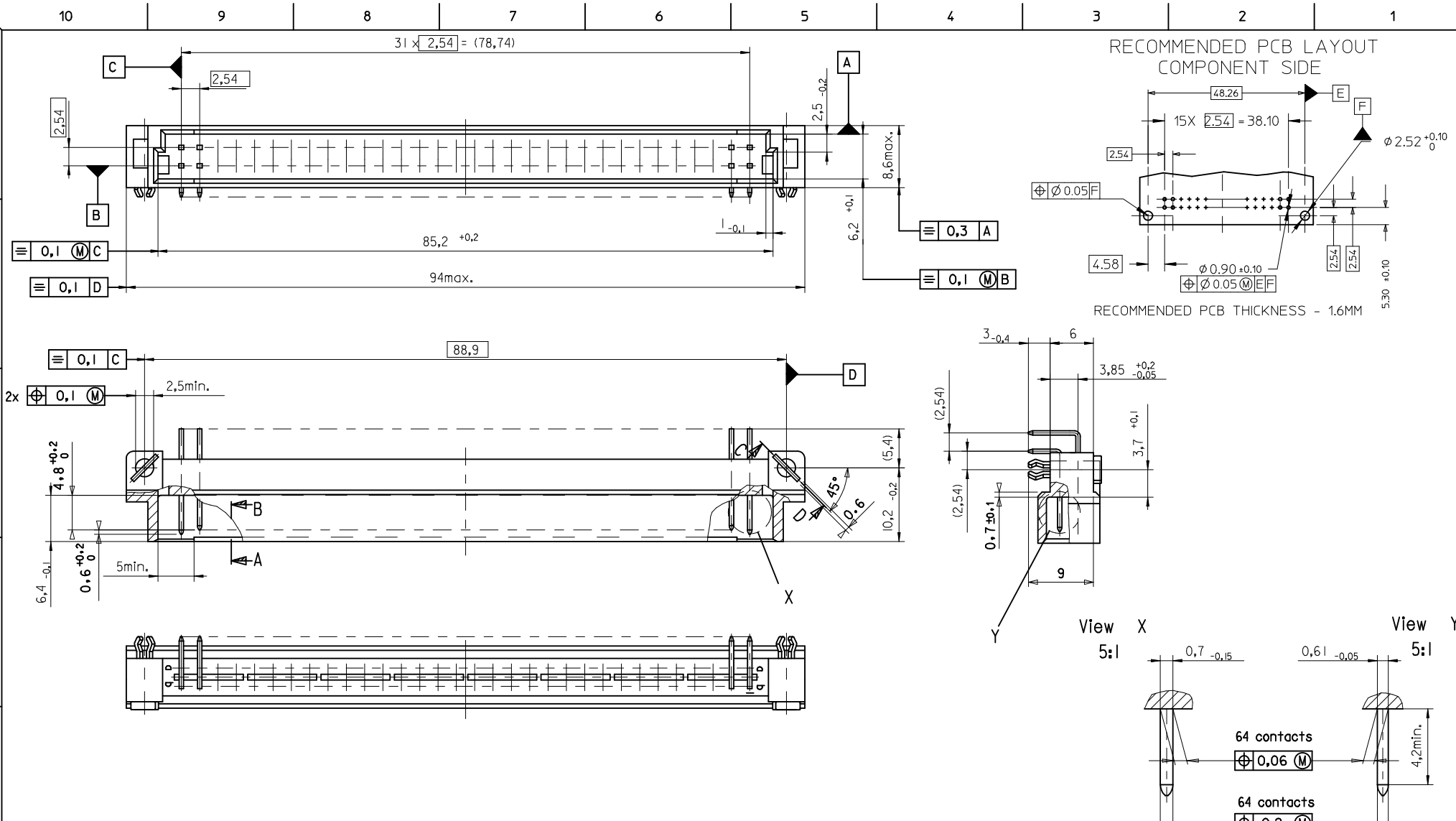
ENTER DESCRIPTION EC NO: 2011/09/23 DRWN: VUTTARKAR CHKD: KPRASAD APPR:	QUALITY SYMBOLS $F_A=0$ $F_C=0$ $F_B=0$	GENERAL TOLERANCES (UNLESS SPECIFIED)		DIMENSION STYLE MM ONLY	SCALE 1:1	DESIGN UNITS METRIC	FIRST ANGLE PROJECTION		
		mm	INCH	DRAWN BY VUTTARKAR	DATE 2011/09/23	TITLE 64 POS. MALE CONNECTOR ACC. DIN 41612 STYLE B DIMENSIONS			
		4 PLACES ± --- ± --- 3 PLACES ± --- ± --- 2 PLACES ± --- ± --- 1 PLACE ± --- ± ---	ANGULAR ± --- °	CHECKED BY KPRASAD	DATE	MOLEX INCORPORATED			
		DRAFT WHERE APPLICABLE MUST REMAIN WITHIN DIMENSIONS		MATERIAL NO. 850010036	DOCUMENT NO. SDA-85001-0001	SHEET NO. 1 OF 03			



Section A - B
5:1



ENTER DESCRIPTION EC NO: DRWN:VUTTARKAR 2011/09/23 CH:KDKPRASAD APPR:	QUALITY SYMBOLS $\nabla F=0$ $\nabla F=0$ $\nabla F=0$	GENERAL TOLERANCES (UNLESS SPECIFIED) <table border="1"> <thead> <tr> <th></th> <th>mm</th> <th>INCH</th> </tr> </thead> <tbody> <tr> <td>4 PLACES</td> <td>± ---</td> <td>± ---</td> </tr> <tr> <td>3 PLACES</td> <td>± ---</td> <td>± ---</td> </tr> <tr> <td>2 PLACES</td> <td>± ---</td> <td>± ---</td> </tr> <tr> <td>1 PLACE</td> <td>± ---</td> <td>± ---</td> </tr> </tbody> </table>		mm	INCH	4 PLACES	± ---	± ---	3 PLACES	± ---	± ---	2 PLACES	± ---	± ---	1 PLACE	± ---	± ---	DIMENSION STYLE MM ONLY DRAWN BY: VUTTARKAR DATE: 2011/09/23 CHECKED BY: KPRASAD APPROVED BY:	SCALE: 1:1 DESIGN UNITS: METRIC FIRST ANGLE PROJECTION
		mm	INCH																
	4 PLACES	± ---	± ---																
	3 PLACES	± ---	± ---																
2 PLACES	± ---	± ---																	
1 PLACE	± ---	± ---																	
DRAFT WHERE APPLICABLE MUST REMAIN WITHIN DIMENSIONS	MATERIAL NO. 850010036	TITLE 64 POS. MALE CONNECTOR ACC. DIN 41612 STYLE B DIMENSIONS	MOLEX INCORPORATED	SHEET NO. 2 OF 03															
SIZE A3	THIS DRAWING CONTAINS INFORMATION THAT IS PROPRIETARY TO MOLEX INCORPORATED AND SHOULD NOT BE USED WITHOUT WRITTEN PERMISSION																		

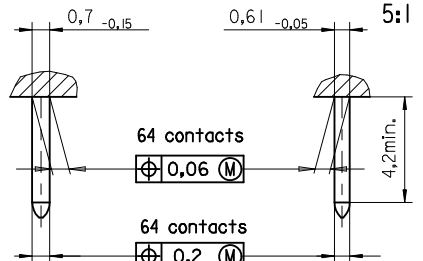


RECOMMENDED PCB LAYOUT COMPONENT SIDE

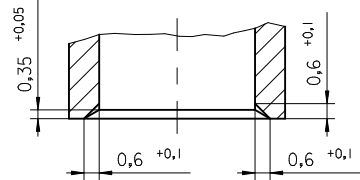
RECOMMENDED PCB THICKNESS - 1.6MM

View X
5:1

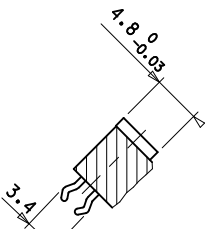
View Y
5:1



Section A - B
5:1



Section C - D



ENTER DESCRIPTION EC NO: DRWN:VUTTARKAR 2011/09/23 CHYKD:KPRASAD APPR:	QUALITY SYMBOLS $F_A=0$ $F_B=0$ $F_C=0$	GENERAL TOLERANCES (UNLESS SPECIFIED) <table border="1"> <tr> <td></td> <td>mm</td> <td>INCH</td> </tr> <tr> <td>4 PLACES</td> <td>± ---</td> <td>± ---</td> </tr> <tr> <td>3 PLACES</td> <td>± ---</td> <td>± ---</td> </tr> <tr> <td>2 PLACES</td> <td>± ---</td> <td>± ---</td> </tr> <tr> <td>1 PLACE</td> <td>± ---</td> <td>± ---</td> </tr> </table>		mm	INCH	4 PLACES	± ---	± ---	3 PLACES	± ---	± ---	2 PLACES	± ---	± ---	1 PLACE	± ---	± ---	DIMENSION STYLE MM ONLY	SCALE 1:1	DESIGN UNITS METRIC	FIRST ANGLE PROJECTION
		mm	INCH																		
	4 PLACES	± ---	± ---																		
	3 PLACES	± ---	± ---																		
2 PLACES	± ---	± ---																			
1 PLACE	± ---	± ---																			
DRAFT WHERE APPLICABLE MUST REMAIN WITHIN DIMENSIONS	DRAWN BY VUTTARKAR	DATE 2011/09/23	TITLE 64 POS. MALE CONNECTOR ACC. DIN 41612 STYLE B DIMENSIONS	MATERIAL NO. 850010036	DOCUMENT NO. SDA-85001-0001	SHEET NO. 03 OF 03															
APPROVED BY KPRASAD	DATE	DATE	MOLEX	MOLEX INCORPORATED																	
SIZE A3	THIS DRAWING CONTAINS INFORMATION THAT IS PROPRIETARY TO MOLEX INCORPORATED AND SHOULD NOT BE USED WITHOUT WRITTEN PERMISSION																				

