

4

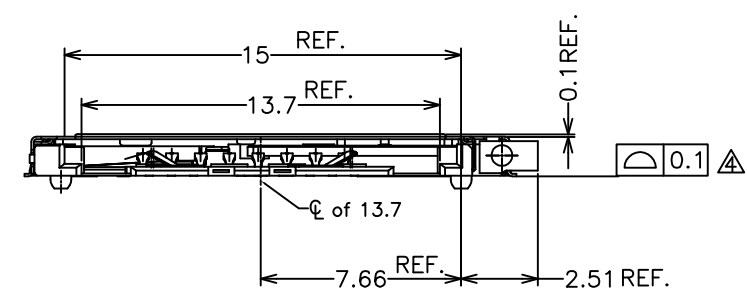
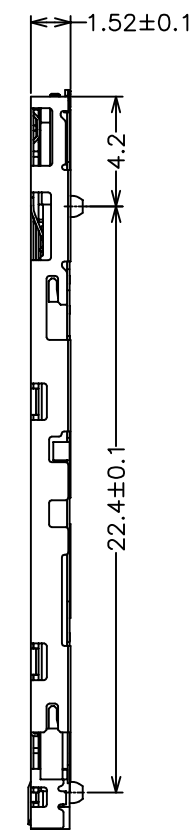
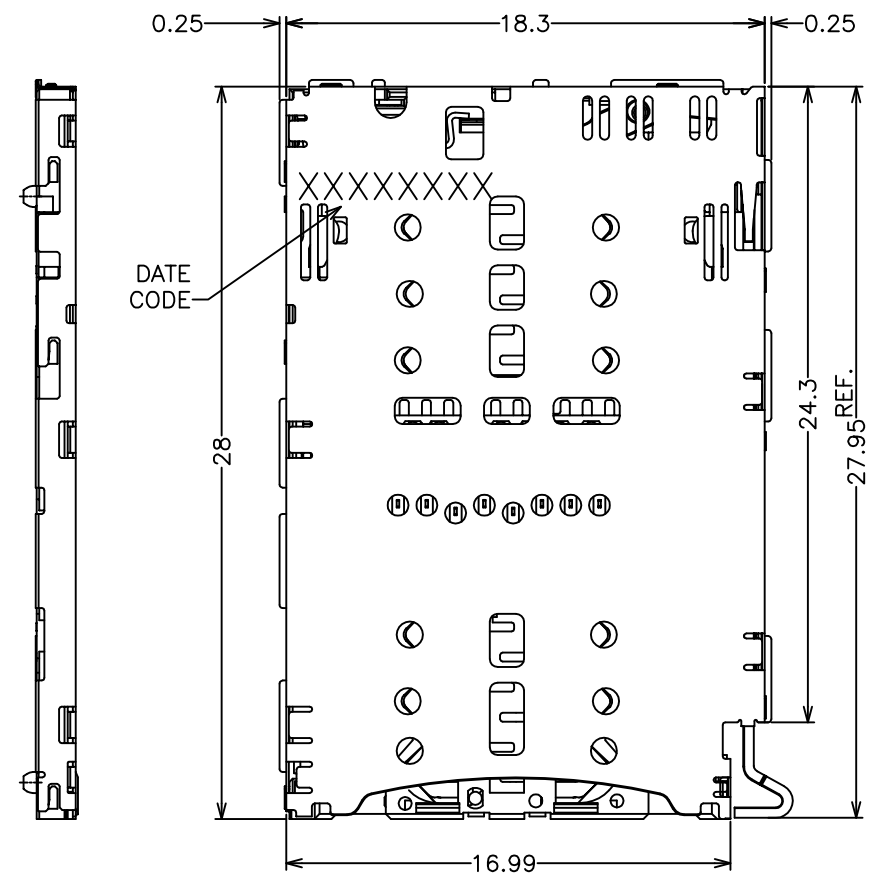
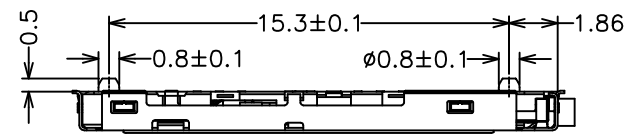
3

2

1

THIS DRAWING IS UNPUBLISHED. RELEASED FOR PUBLICATION  
 © COPYRIGHT - By - ALL RIGHTS RESERVED. TODOS LOS DERECHOS RESERVADOS.

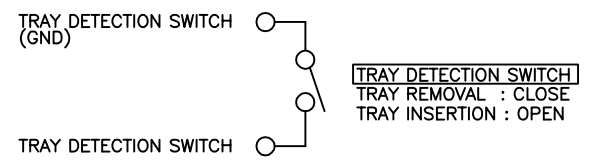
LOC	DIST	REVISIONS			DATE	DWN	APVD
J	-	P	LTR	DESCRIPTION			
		A	RELEASED	GC	31AUG2017	R.Z	S.L



- 1 MATERIAL:  
 HOUSING: HIGH TEMPERATURE THERMAL PLASTIC UL94V-0  
 CONTACT : COPPER ALLOY  
 SWITCH CONTACT : COPPER ALLOY  
 SHELL : STAINLESS STEEL  
 LATCH : STAINLESS STEEL  
 LATCH MOLD : HIGH TEMPERATURE THERMAL PLASTIC UL94V-0  
 SLIDER : STAINLESS STEEL  
 CAM : STAINLESS STEEL

- △ FINISH:  
 CONTACT : Ni UNDER PLATING  
 SOLDERING AREA : Au PLATING  
 CONTACT AREA : Au PLATING  
 SWITCH CONTACT : Ni UNDER PLATING  
 SOLDERING AREA : Au PLATING  
 CONTACT AREA : Au PLATING  
 SHELL : Ni UNDER PLATING  
 SOLDERING AREA : Au PLATING

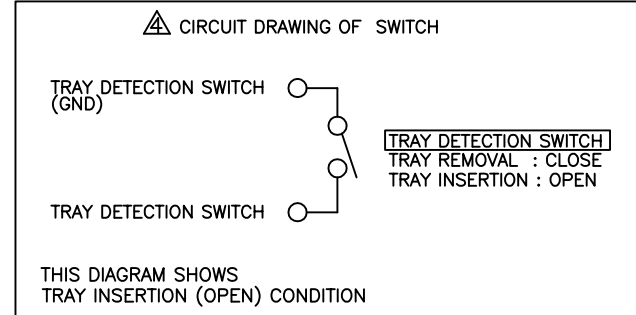
- △ CAM, SLIDER MOVING AREA.
- △ COPLANARITY: 0.10MAX.
- △ CIRCUIT DRAWING OF SWITCH.



THIS DIAGRAM SHOWS TRAY INSERTION (OPEN) CONDITION

- △ REFERENTIAL STENCIL DESIGN.  
 THICKNESS:0.1mm  
 OPENING RATIO: REFER TO SHEET 2  
 150%(BOTH SIDE GND PADS)  
 100%(OTHER PADS)

THIS PRINT IS PRELIMINARY  
 UNQUALIFIED PRODUCT CONTACT PRODUCT ENGINEERING BEFORE USING THIS PRINT



THIS DIAGRAM SHOWS TRAY INSERTION (OPEN) CONDITION

△	2295782-1
FINISH	PART NUMBER

THIS DRAWING IS A CONTROLLED DOCUMENT.		DWN	8SEP2015	 TE Connectivity	PIN PUSH TRAY TYPE CONNECTOR 3 IN 2 FOR 4FF AND MCIRO SD CARD		
DIMENSIONS: mm		CHK	8SEP2015				
TOLERANCES UNLESS OTHERWISE SPECIFIED:		APVD	8SEP2015				
0 PLC 1 PLC ± 0.15 2 PLC ± 0.1 3 PLC ± 0.1 4 PLC ± - ANGLES ± -		PRODUCT SPEC	NAME				
MATERIAL	△	FINISH	△	SIZE	CAGE CODE	DRAWING NO	RESTRICTED TO
				A2	00779	C=2295782	-
RESTRICTED CUSTOMER				SCALE	5:1	SHEET	1 of 4
				REV	A		

- 1:AS SHOWN

2295782

B

A



4

3

2

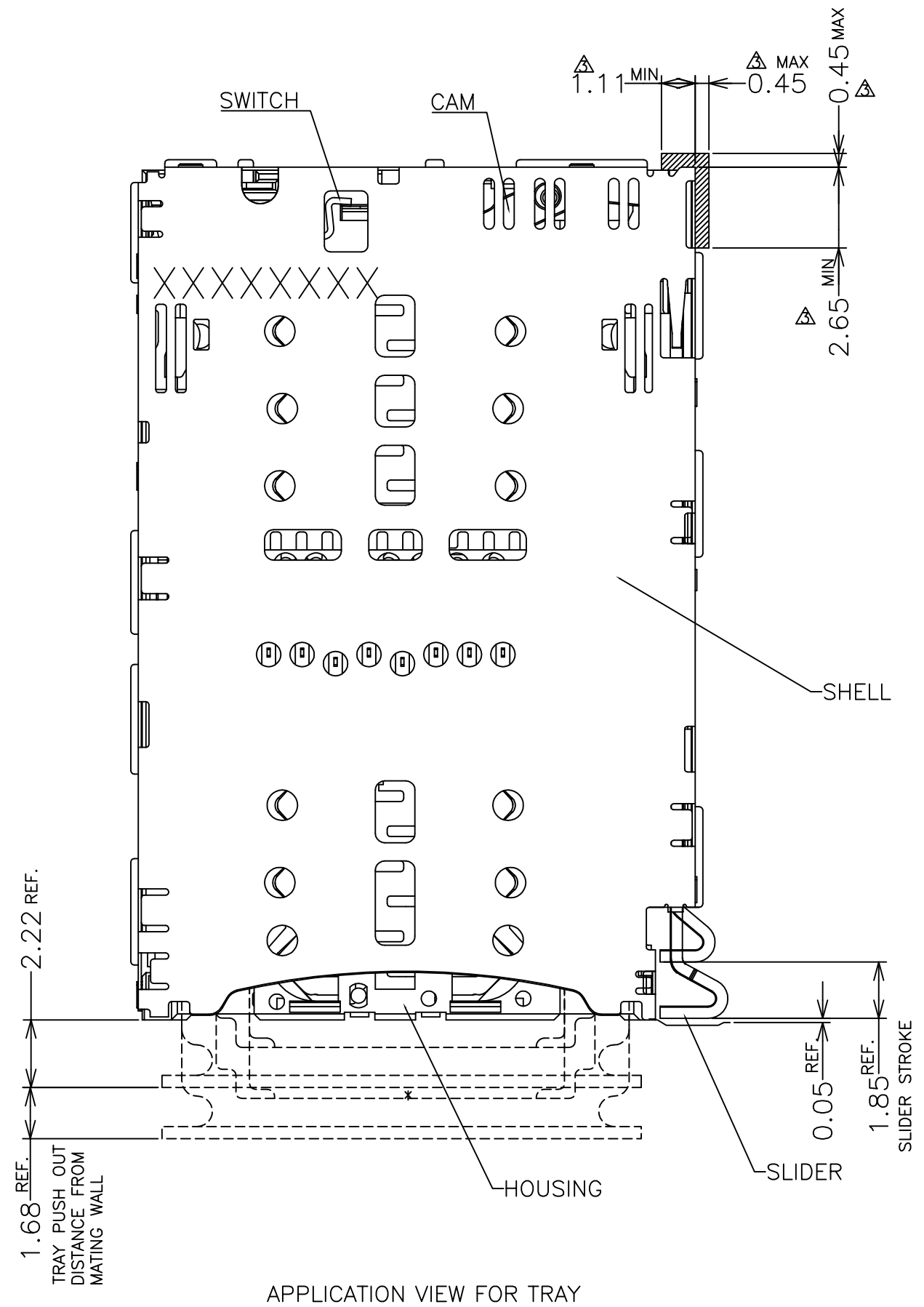
1

THIS DRAWING IS UNPUBLISHED. RELEASED FOR PUBLICATION  
 © COPYRIGHT - By - ALL RIGHTS RESERVED. TODOS LOS DERECHOS RESERVADOS.

LOC	DIST	REVISIONS			DATE	DWN	APVD
J	-	P	LTR	DESCRIPTION			
		-	-	SEE SHEET 1	-	-	-

D  
C  
B  
A

D  
C  
B  
A



APPLICATION VIEW FOR TRAY

THIS DRAWING IS A CONTROLLED DOCUMENT.		DWN	<b>STE</b> TE Connectivity	
DIMENSIONS: mm		CHK		
TOLERANCES UNLESS OTHERWISE SPECIFIED		APVD	NAME	
0 PLC ±		PRODUCT SPEC	PIN PUSH TRAY TYPE CONNECTOR	
1 PLC ±		APPLICATION SPEC	3 IN 2 FOR 4FF AND MICRO SD CARD	
2 PLC ±		WEIGHT	SIZE	CAGE CODE
3 PLC ±		RESTRICTED CUSTOMER	A2	00779
4 PLC ±			DRAWING NO	C-2295782
ANGLES ±		SCALE	8:1	SHEET
FINISH ±		RESTRICTED TO	3 of 4	REV
				A

4

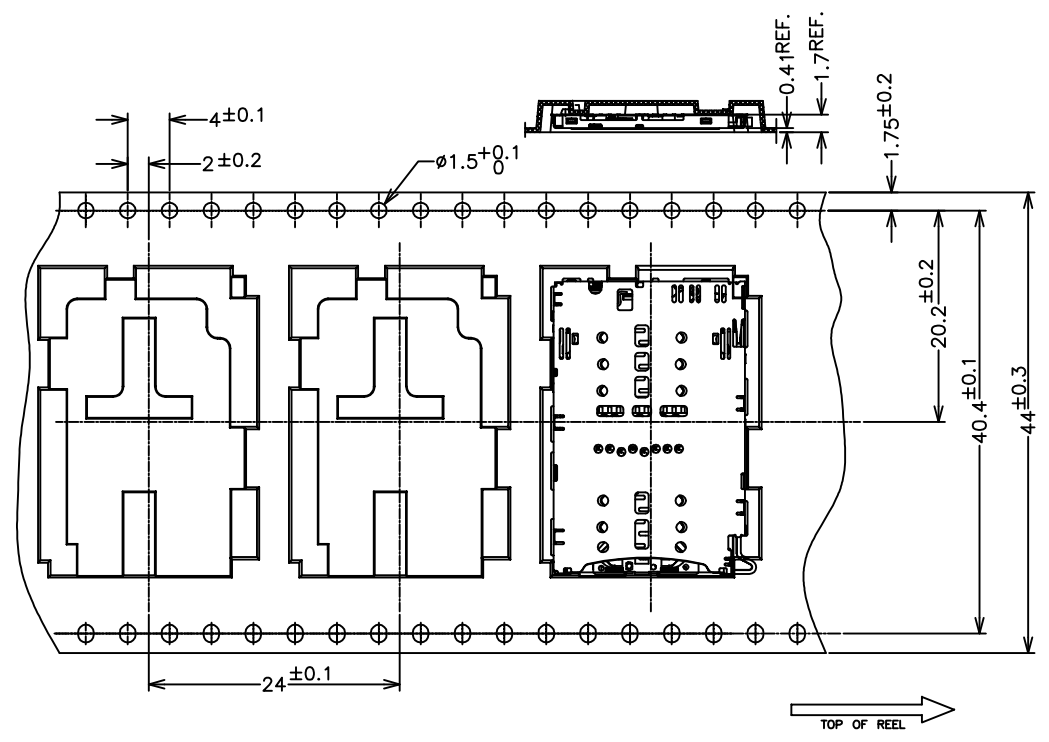
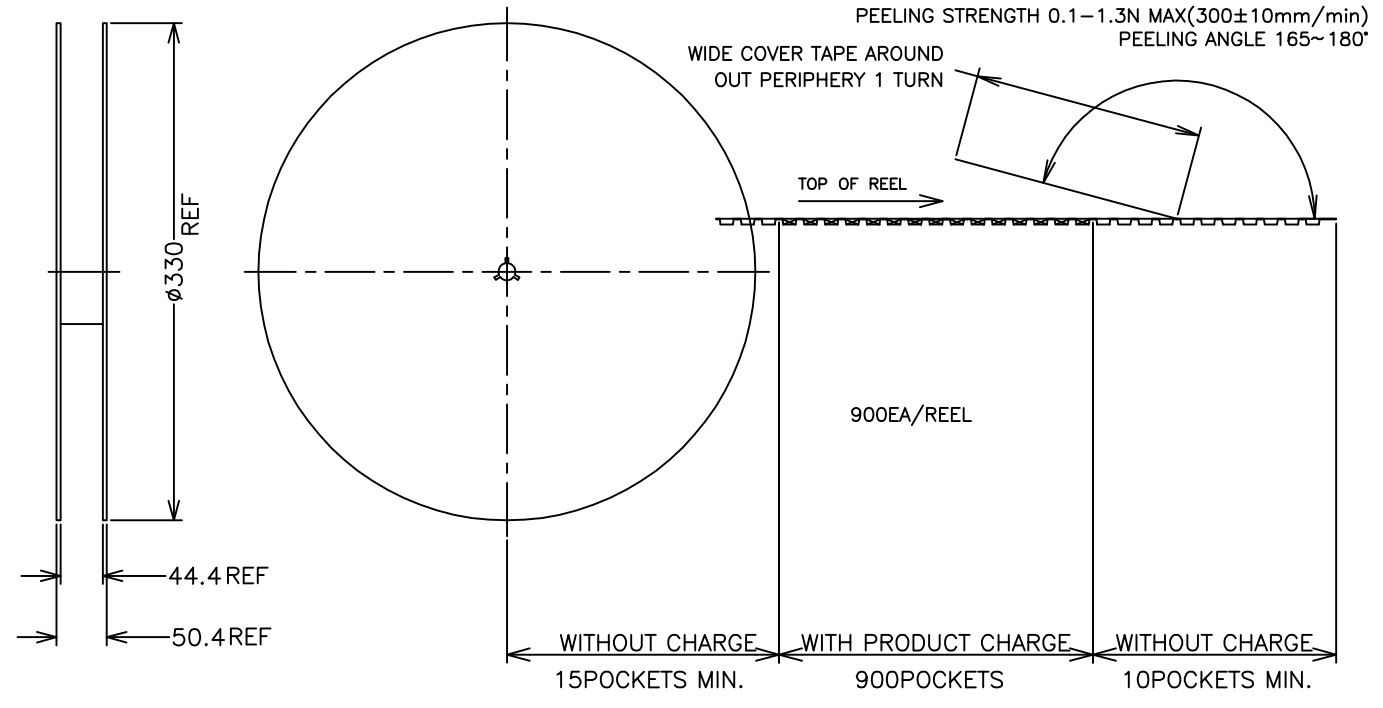
3

2

1

THIS DRAWING IS UNPUBLISHED. RELEASED FOR PUBLICATION  
 © COPYRIGHT - By - ALL RIGHTS RESERVED. TODOS LOS DERECHOS RESERVADOS.

LOC	DIST	REVISIONS			DATE	DWN	APVD
J	-	P	LTR	DESCRIPTION			
		-		SEE SHEET 1	-	-	-



THIS DRAWING IS A CONTROLLED DOCUMENT.		DWN	<b>STE</b> TE Connectivity	
DIMENSIONS: mm		CHK		
TOLERANCES UNLESS OTHERWISE SPECIFIED:		APVD	NAME	
0 PLC	±	PRODUCT SPEC	PIN PUSH TRAY TYPE CONNECTOR	
1 PLC	±	APPLICATION SPEC	3 IN 2 FOR 4FF AND MICRO SD CARD	
2 PLC	±	WEIGHT	SIZE	CAGE CODE
3 PLC	±	RESTRICTED CUSTOMER	A2	00779
4 PLC	±	SCALE	DRAWING NO	RESTRICTED TO
ANGLES	±	SHEET	C-2295782	4 of 4
FINISH	±	REV		A

2295782