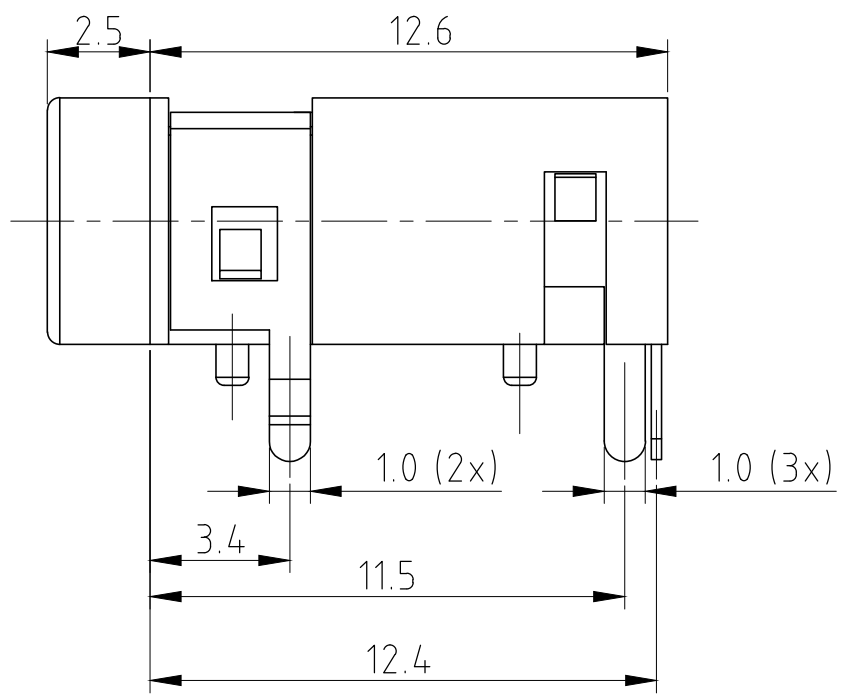
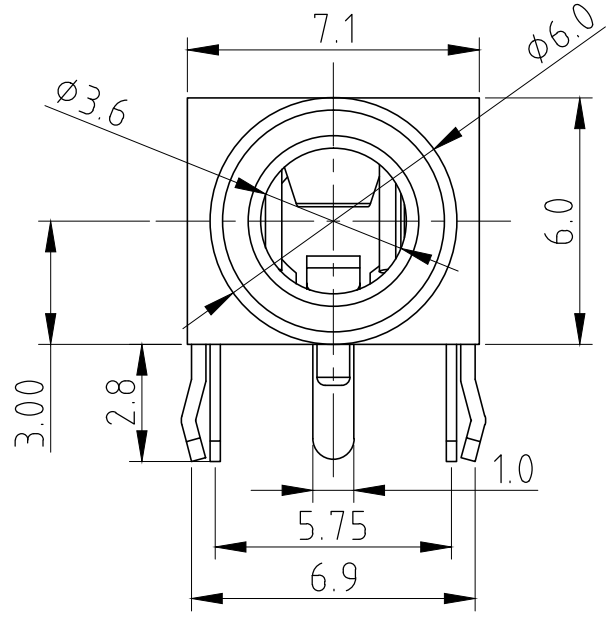
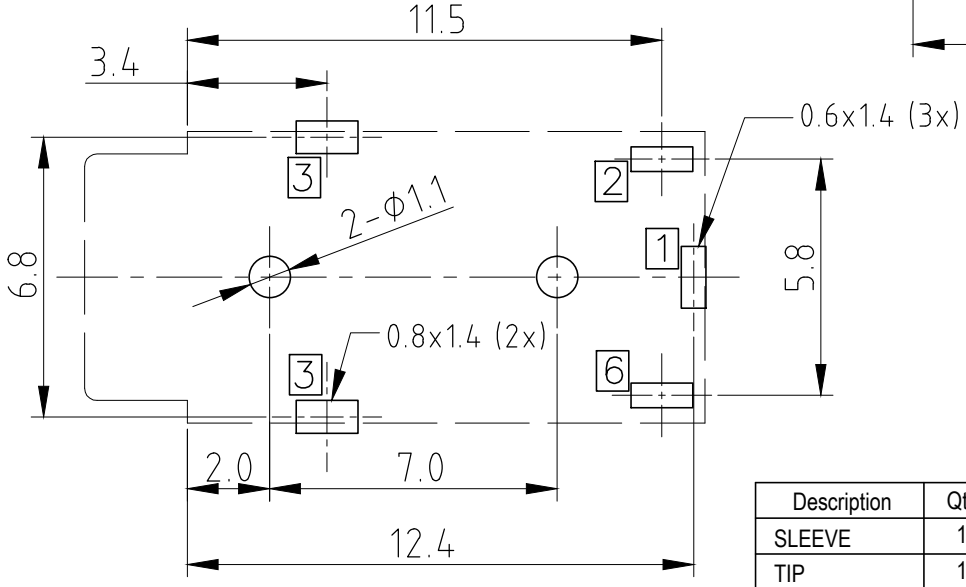
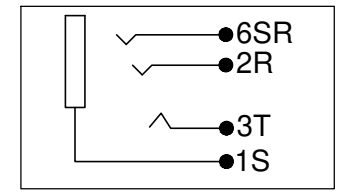


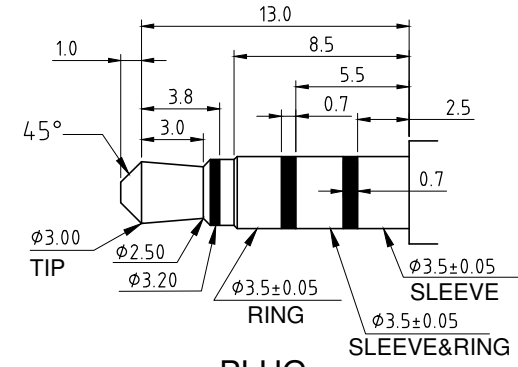
ISS.	AMEND	DATE
1	1st DRAWN	30/09/11
2	AMEND	30/01/13
3	BORDER	29/01/15



### SCHEMATIC



**P.C.B LAYOUT  
BOTTOM VIEW**



**PLUG  
(SCALE 1:2)**

Description	Qty	Material	Finish
SLEEVE	1	BRASS	Ag
TIP	1	PHOSPHOR BRONZE	Ag
TIP	1	BRASS	Ag
RING	1	BRASS	Ag
HOUSING	1	PBT	BLACK

**RoHS COMPLIANT**

**TOLERANCE**  
 NO DEC. PLACE ± 0.50  
 1 DEC. PLACE ± 0.30  
 2 DEC. PLACE ± 0.15  
 HOLE Ø ± 0.10  
 ANGLES ± 1°  
 UNLESS OTHERWISE STATED

DO NOT SCALE

**Cliff Electronic Components Ltd.**  
 76 Holmehorpe Avenue, Holmehorpe Industrial Estate,  
 Redhill, Surrey, RH1 2PF, England, UK  
 Tel: 01737-771375 Fax: 01737-766012 Website: www.cliffuk.co.uk

DIMENSIONS IN MILLIMETERS UNLESS OTHERWISE STATED. WORK TO DIMENSIONS. REMOVE ALL BURRS. IF IN DOUBT ASK.

3rd ANGLE PROJECTION:

MATERIAL: SEE TABLE

FINISH: SEE TABLE

TITLE: 3.5mm 4 POLE JACK SOCKET

THE CONTENTS OF THIS DOCUMENT MUST NOT BE COPIED OR DISCLOSED TO A 3rd PARTY WITHOUT WRITTEN PERMISSION OF CLIFF UK. © 2011

DRAWN: T.J.O.

APPROVED: D.P.J.

DRWG. No. **FC68125**

FORM: A4DRWGH

# Cliff Electronic Components Ltd.

76 Holmethorpe Avenue, Holmethorpe Industrial Estate,  
Redhill, Surrey, RH1 2PF, England, UK  
Tel: 01737-771375 Fax: 01737-766012 Website: www.cliffuk.co.uk

**PART NUMBER: FC68125**  
**DESCRIPTION: 3.5mm 4 POLE JACK SOCKET**

A) SCOPE 適用範圍 (使用系列產品料號:)

This specification covers " 3.5Ø PHONE JACK " 3.5 Ø 插座

B) CHARACTERISTICS 性能

Standard atmospheric specified, measurements shall be made at temperature , humidity and air pressure within the following limit :

Ambient temperature	:	5 °C	to	35 °C
Relative humidity	:	45 %	to	85 %
Air pressure	:	85 Kpa	to	106 Kpa

標準狀態 : 沒有特別指定時,測試是在常溫、常濕、常壓下進行:

Operating temperature range	:	-20 °C	to	60 °C
Storage temperature range	:	-25 °C	to	70 °C

C) ELECTRICAL CHARACTERISTICS 電氣性能 .

ITEM	TEST CONDITIONS	SPECIFICATION
(C1)Rated Voltage Rated Current		DC 16V 20mA~0.3A
(C2)Insulation Resistance	A voltage of 500V DC shall be applied to the terminals. After which measurement shall be made. DC 500V	100M Ω or more ≥ 100M Ω

# Cliff Electronic Components Ltd.

76 Holmethorpe Avenue, Holmethorpe Industrial Estate,  
Redhill, Surrey, RH1 2PF, England, UK  
Tel: 01737-771375 Fax: 01737-766012 Website: www.cliffuk.co.uk

ITEM	TEST CONDITIONS	SPECIFICATION
(C3)Contact Resistance	Measurement shall be made at 1 K Hz with 100 mA or less (With the test plug as show in item G) <1>Initial before any testing a · Pin to contact or (T-TS, R-RS) (N.C.). b · Plug shield to socket or (T,R,S,) (N.O.). <2>After life test with mating plug a · Pin to contact or (T-TS, R-RS) (N.C.). b · Plug shield to socket or (T,R,S,) (N.O.).	Initial : a · 30mΩ or Less ≤ 30mΩ b · 50mΩ or Less ≤ 50mΩ After life : a · 60mΩ or Less ≤ 60mΩ b · 100mΩ or Less ≤ 100mΩ
(C4)Dielectric Strength	Withstand 0.5 mA (Trip current) 500V AC(50 or 60 Hz) between any open terminal for 1 minute.  (Open terminal: Between each terminal which should not make contact , before plug insert to socket R-T,R-S, after plug insert	Without distinct Damage

## Cliff Electronic Components Ltd.

76 Holmethorpe Avenue, Holmethorpe Industrial Estate,  
Redhill, Surrey, RH1 2PF, England, UK  
Tel: 01737-771375 Fax: 01737-766012 Website: www.cliffuk.co.uk

---

	to socket R-RS, T-TS, ... .)	
--	------------------------------	--

### D ) . MECHANICAL CHARACTERISTICS

ITEM	TEST CONDITIONS	SPECIFICATION
(D1) Insertion force and Withdrawal force	Initial  ( With the test plug as show in item G )	Insertion force  0.3kgf ~ 3kgf
		Withdrawal force  0.3kgf ~ 3kgf
	After life test  ( With the test plug as show in item G )	Insertion force  0.2kgf ~ 2kgf
		Withdrawal force  0.2kgf ~ 2kgf
(D2) Terminal strength	Terminals must withstand a 500g minimum pull for 10 seconds before movement or break from housing occurs , but deformation of terminal is authorized .	

### E ) . ENDURANCE CHARACTERISTICS

ITEM	TEST CONDITIONS
(E1) Life test	The life test shall consist of 5,000 cycles of insertion and withdrawal with test plug( Show in item G ), at a rate of 20 to 30 cycles per minute under no load .

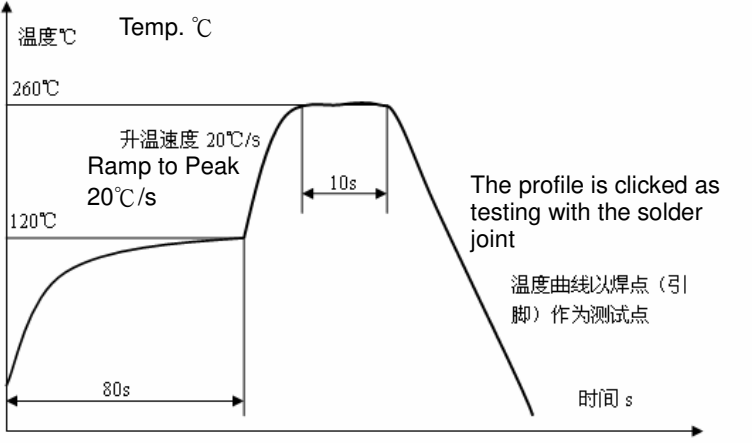
---

# Cliff Electronic Components Ltd.

76 Holmethorpe Avenue, Holmethorpe Industrial Estate,  
 Redhill, Surrey, RH1 2PF, England, UK  
 Tel: 01737-771375 Fax: 01737-766012 Website: www.cliffuk.co.uk

(E2)Soldering test	The terminal of JACK tested shall be dipped into soldering flux or equivalent for 5 ~ 10 seconds and then immersed into molten solder Sn at $260 \pm 5^{\circ}\text{C}$ for $3 \pm 0.5$ seconds , the coverage should more than 95% .
(E3)Soldering heat	The terminal for a printed circuit board . Temperature of solder : $260 \pm 5^{\circ}\text{C}$ Dip time : $5 \pm 1$ seconds .
(E4) Hand Soldering Temperature	Temperature of solder : $350 \pm 10^{\circ}\text{C}$ Dip time : $3 \pm 0.5$ seconds .

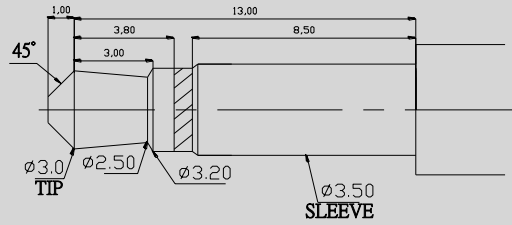
## F ) . DIP

ITEM	TEST CONDITIONS
The temperature peak without lead.	 <p>Pre-heating temperature is <math>25 \sim 120^{\circ}\text{C}</math> ,for a duration about 80 seconds.</p> <p>The peak temperature is <math>260^{\circ}\text{C}</math> , the duration for 10 seconds.</p>

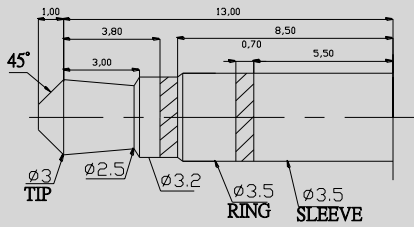
# Cliff Electronic Components Ltd.

76 Holmethorpe Avenue, Holmethorpe Industrial Estate,  
 Redhill, Surrey, RH1 2PF, England, UK  
 Tel: 01737-771375 Fax: 01737-766012 Website: www.cliffuk.co.uk

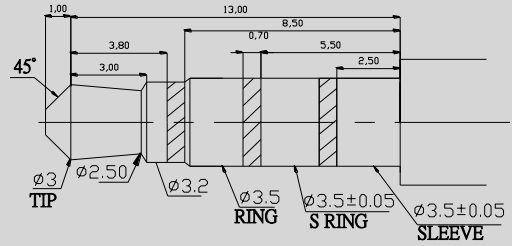
G ) . MATED PLUG



MONO PLUG



STEREO PLUG



4P PLUG

制定日期	A	C	M
2008. 10. 13	P	H	A
	V	K	K
	D	D	E
	Jacky	Dragon	Roy