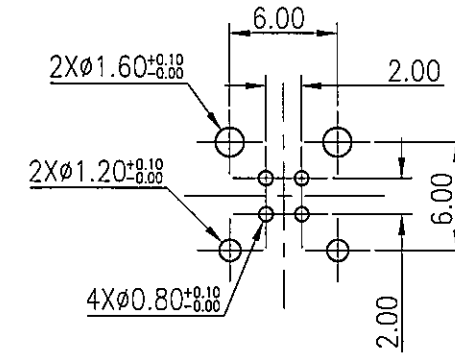
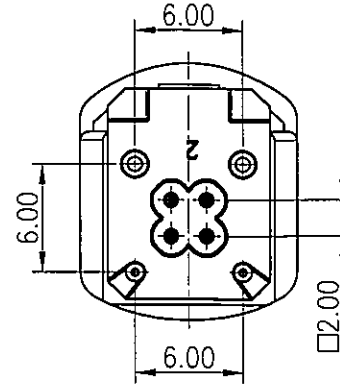
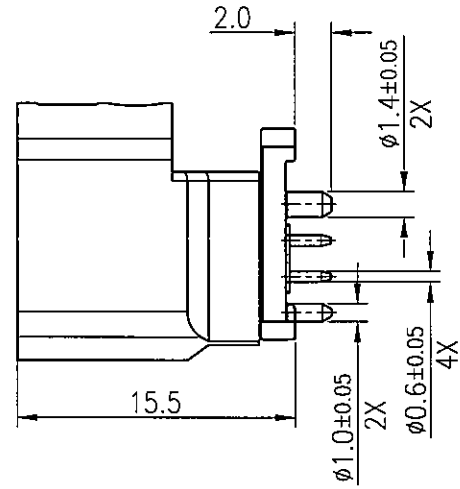
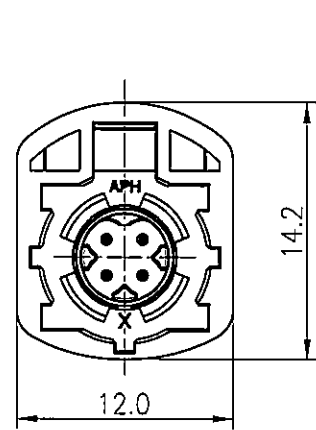


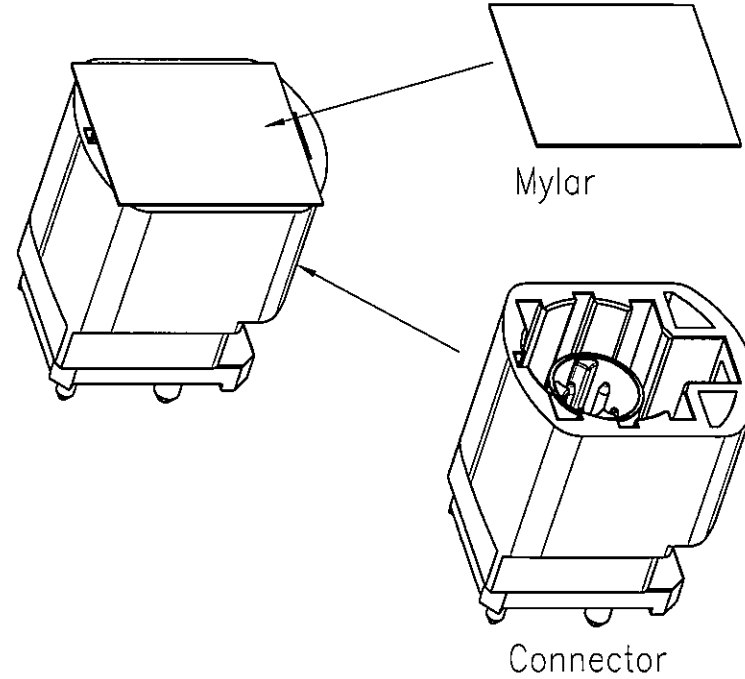
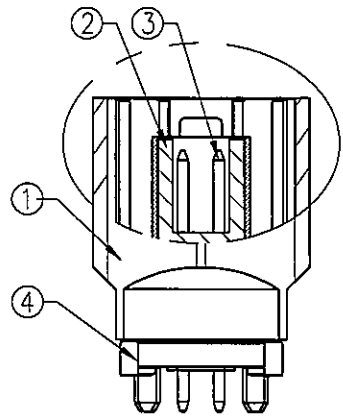
This document is the property of Amphenol Corporation and is delivered on the express condition that it is not to be disclosed, reproduced or used, in whole or in part, for manufacture or sale by anyone other than Amphenol Corporation without its prior consent, & that no right is granted to disclose or to use any information in this document.

# CUSTOMER DRAWING

REVISIONS				
SYM	ECN	DESCRIPTION	DATE	APPROVED
2	HK7312	RELEASE TO CUSTOMER	2/2'16	IP



RECOMMENDED PCB LAYOUT TOP VIEW  
TOLERANCE:  $\pm 0.05$  (PCB THICKNESS =  $1.6 \pm 0.15$  mm)



Notes:

1. Material:

- ① Housing: High temperature Thermoplastic, color see table 1.
- ② Dielectric: High temperature thermoplastic, color black.
- ③ Center contacts: Copper alloy.
- ④ Outer contact: Zinc alloy.

2. Finish:

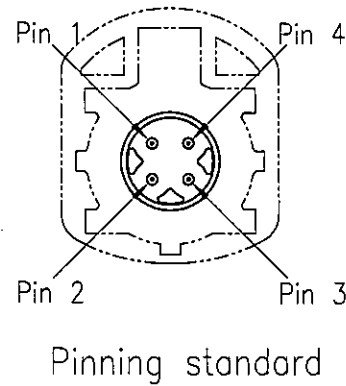
- ③ Center contacts: 0.15  $\mu$ m Min gold mating area; gold flash on solder tail.
- ④ Outer contact: 1.25-6  $\mu$ m matte tin on solder tail.

3. RoHS compliant.

4. Order P/N system:

TABLE 1

PLUG	CODING	COLOR	RAL
	A	JET BLACK	SIM. 9005
	B	CREAM	SIM. 9001
	C	SIGNAL BLUE	SIM. 5005
	D	CLARET VIOLET	SIM. 4004
	E	LEAF GREEN	SIM. 6002
	F	NUT BROWN	SIM. 8011
	Z	WATER BLUE	SIM. 5021



HSD NXSP PCB14X

Coding: \_\_\_\_\_  
See table 1

Packing method:

- A- Packing by tape & reel
- B- Packing by tray
- C- In bulk



UNLESS OTHERWISE SPECIFIED TOLERANCES		APPROVAL	DATE	Amphenol
U.S.	METRIC	DRAWN	Kaka Yang	
.X +/-	0.50	CHECKED	Wilbert	TITLE HSD VERTICAL PLUG CONNECTOR NORTH LOCATION
.XX +/-	0.25	CHECKED		
.XXX +/-	0.20	DRAWING FILE: S:\PE Master\DRAWING\HSD\HSDNXSPPCB14X-2		SIZE A3
FRACTIONS +/-		REMOVE SHARP EDGES		DRAWING NO. HSDNXSPPCB14X
ANGLES +/-	5°	ANGLE OF PROJECTION		REV. 2
DIMENSIONS		SCALE		N/A
U.S.	INCHES	SHEET		1 OF 1
METRIC	MM			