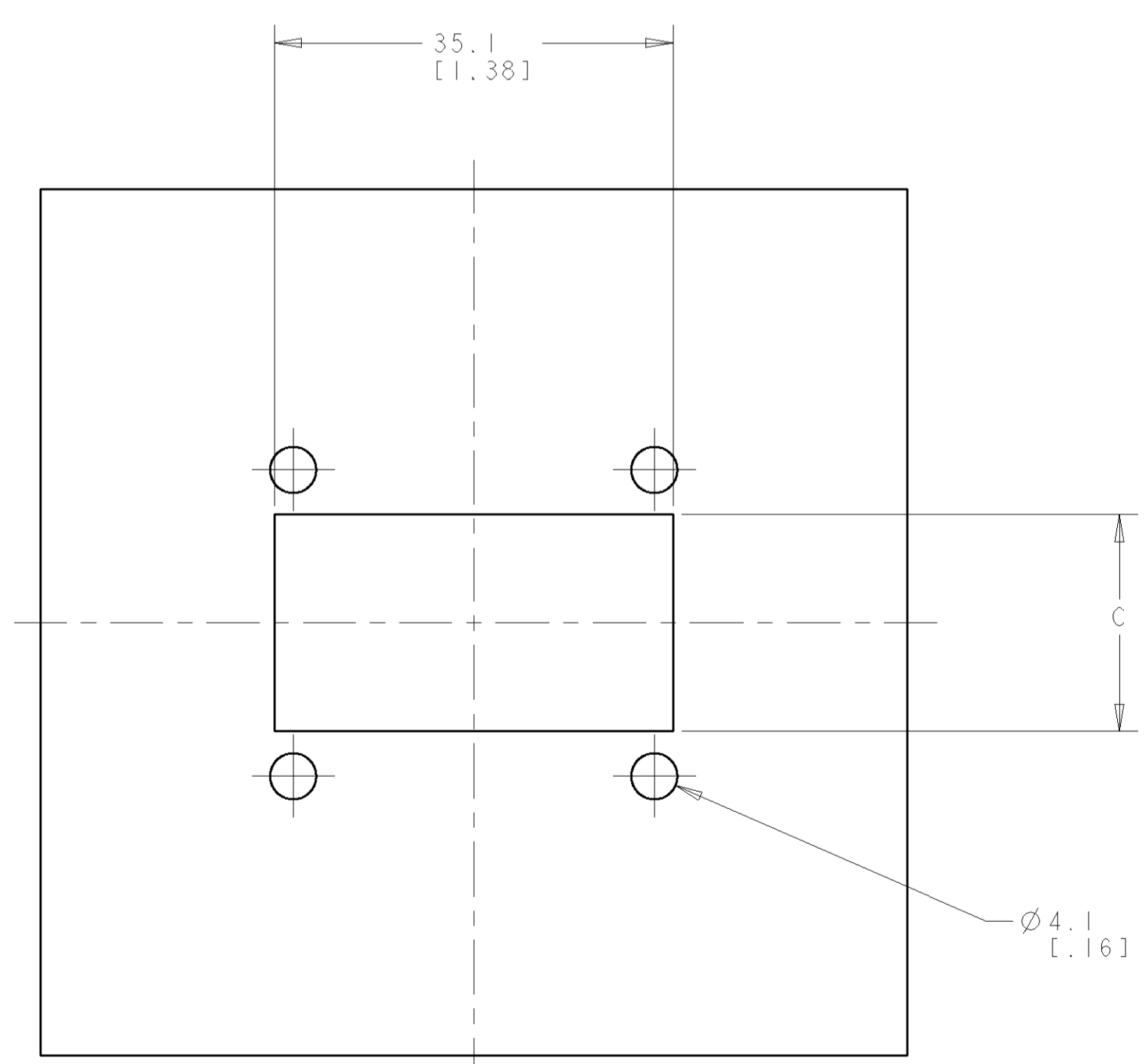
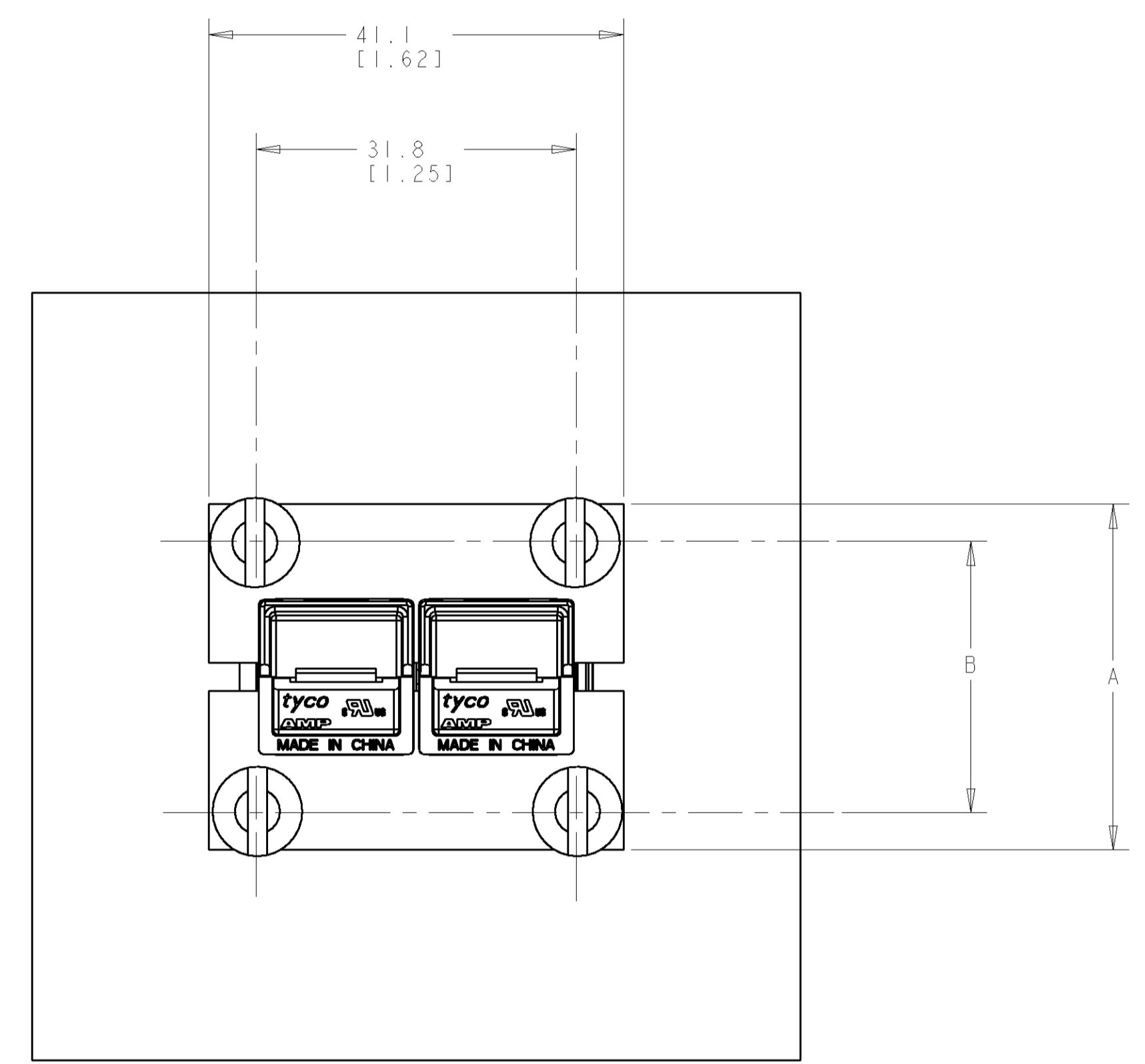
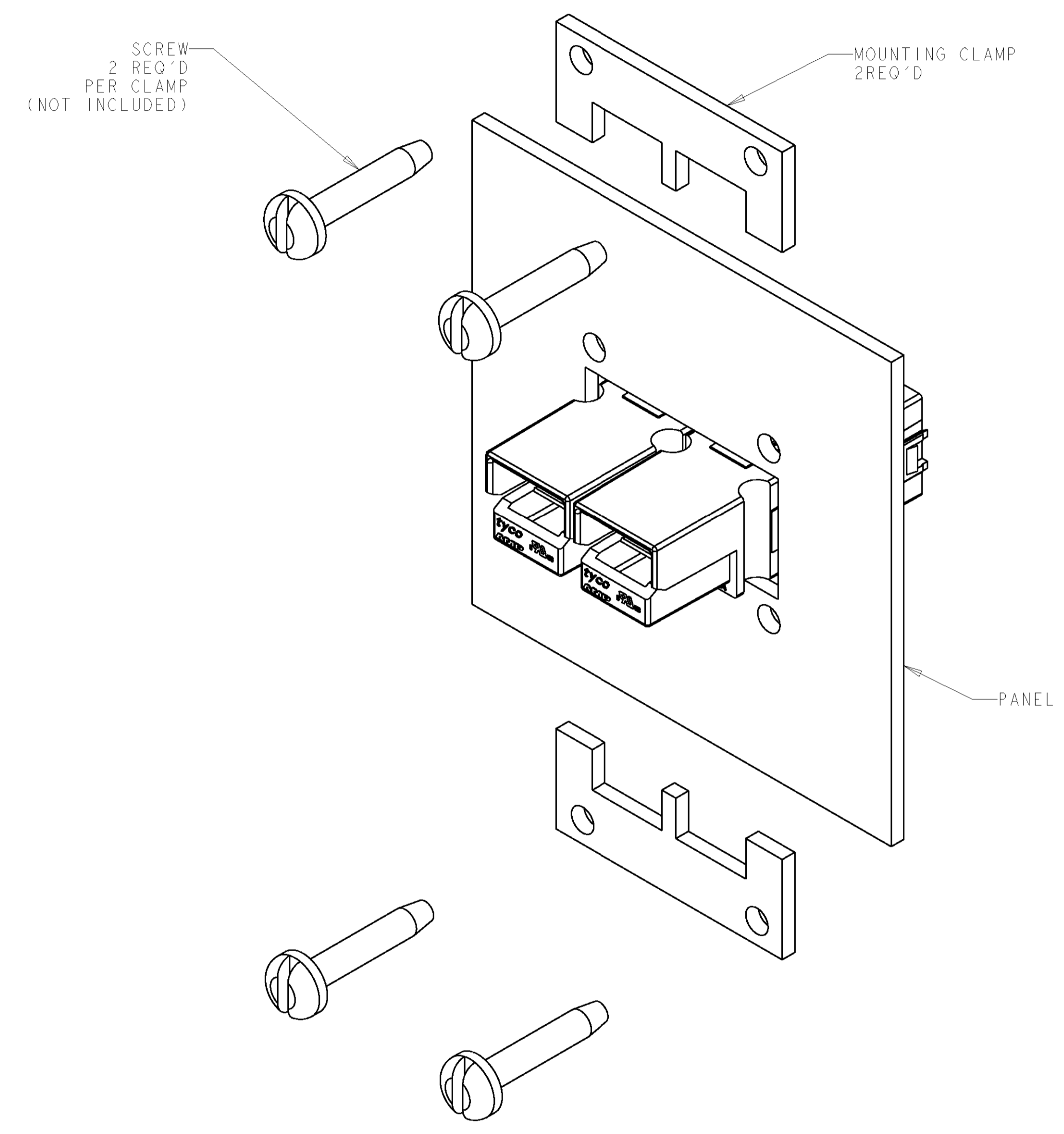


LOC	DIST	REVISIONS			
P	LTR	DESCRIPTION	DATE	DWN	APVD
1		PRE-RELEASED	13JAN2003	KW	JE
0		REVISED PER 0638-0595-03	12SEP05	KW	JE



PANEL CUTOUT DIMENSIONS



1. MOUNTING CLAMPS SOLD IN PAIRS, SCREWS NOT INCLUDED.

35.1 [1.38]	42.7 [1.68]	50.3 [1.98]	4
19.0 [0.75]	26.9 [1.06]	34.5 [1.36]	2
C	B	A	NO OF POLES

1 BOX	647716-2
1 PAIR	647716-1
QTY / UNIT OF MEASUREMENT	PART NUMBER

<small>THE INFORMATION CONTAINED HEREIN IS UNCLASSIFIED EXCEPT WHERE SHOWN OTHERWISE. IT IS THE PROPERTY OF TYCO ELECTRONICS CORPORATION AND IS TO BE CONTAINED AND CONTROLLED BY THE USER'S ORGANIZATION UNLESS SO INDICATED BY THE USER'S ORGANIZATION.</small>		DWN: B. WHITAKER ENR: J. ELLIS APVD: J. ELLIS	13JAN2003 13JAN2003 13JAN2003	tyco Electronics Tyco Electronics Harrisburg, PA 17105-3608
DIMENSIONS: mm [INCHES]	TOLERANCES UNLESS OTHERWISE SPECIFIED: 0 PLC ± 1 PLC ±0.5 [0.02] 2 PLC ± 3 PLC ± 4 PLC ± ANGLES ± FINISH -	PRODUCT SPEC APPLICATION SPEC WEIGHT CUSTOMER DRAWING	NAME AMP POWER SERIES 75, MOUNTING CLAMP, 2 AND 4 POLE	RESTRICTED TO SCALE 2:1 SHEET 1 OF 1 REV 0
MATERIAL AL 2.3 [0.09] THK	FINISH -	WEIGHT -	SIZE CAGE CODE DRAWING NO A1 00779 C=647716	CUSTOMER DRAWING

