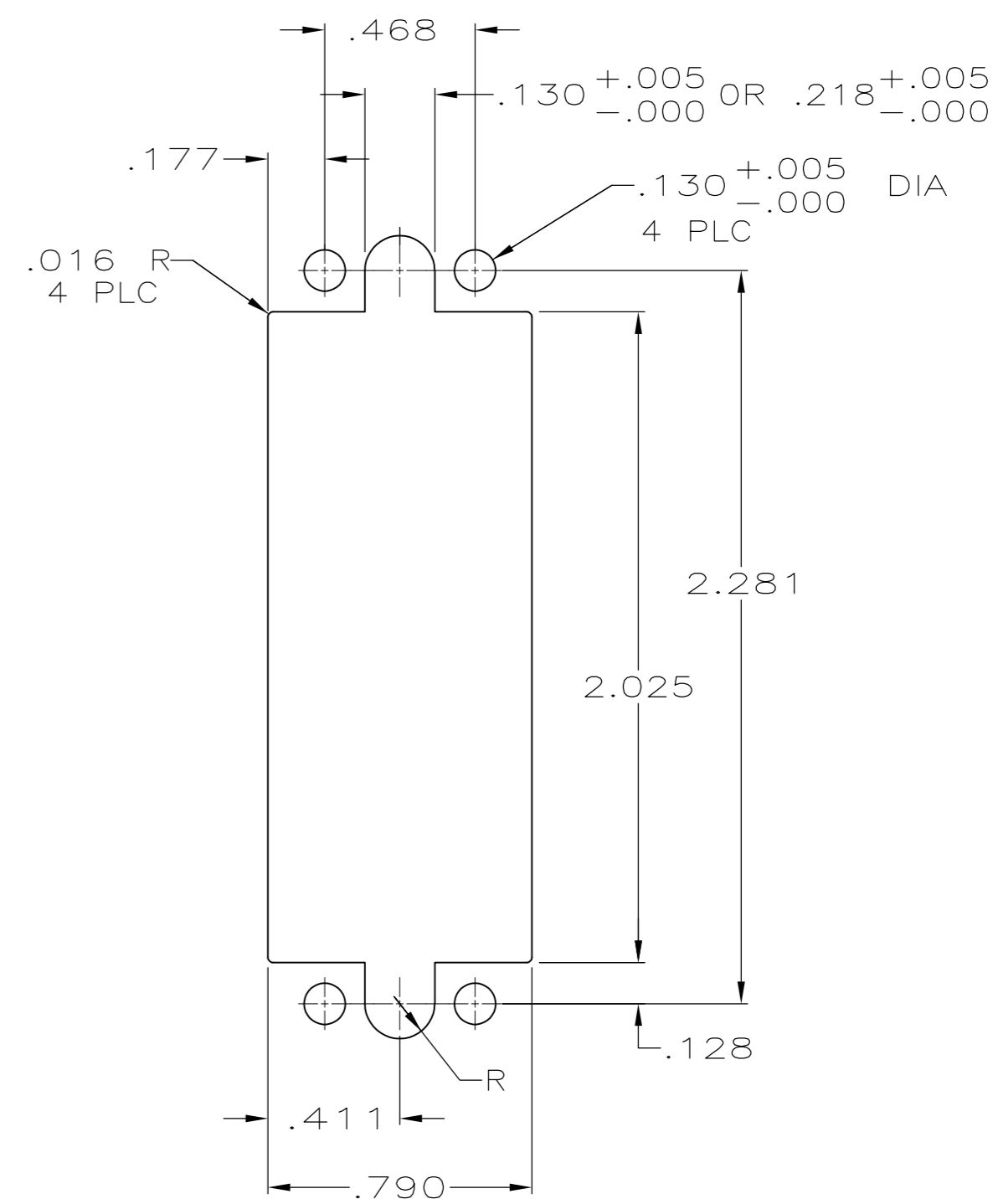
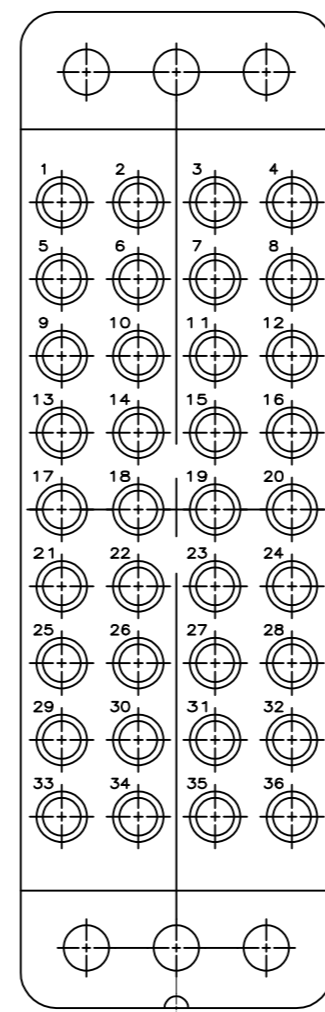
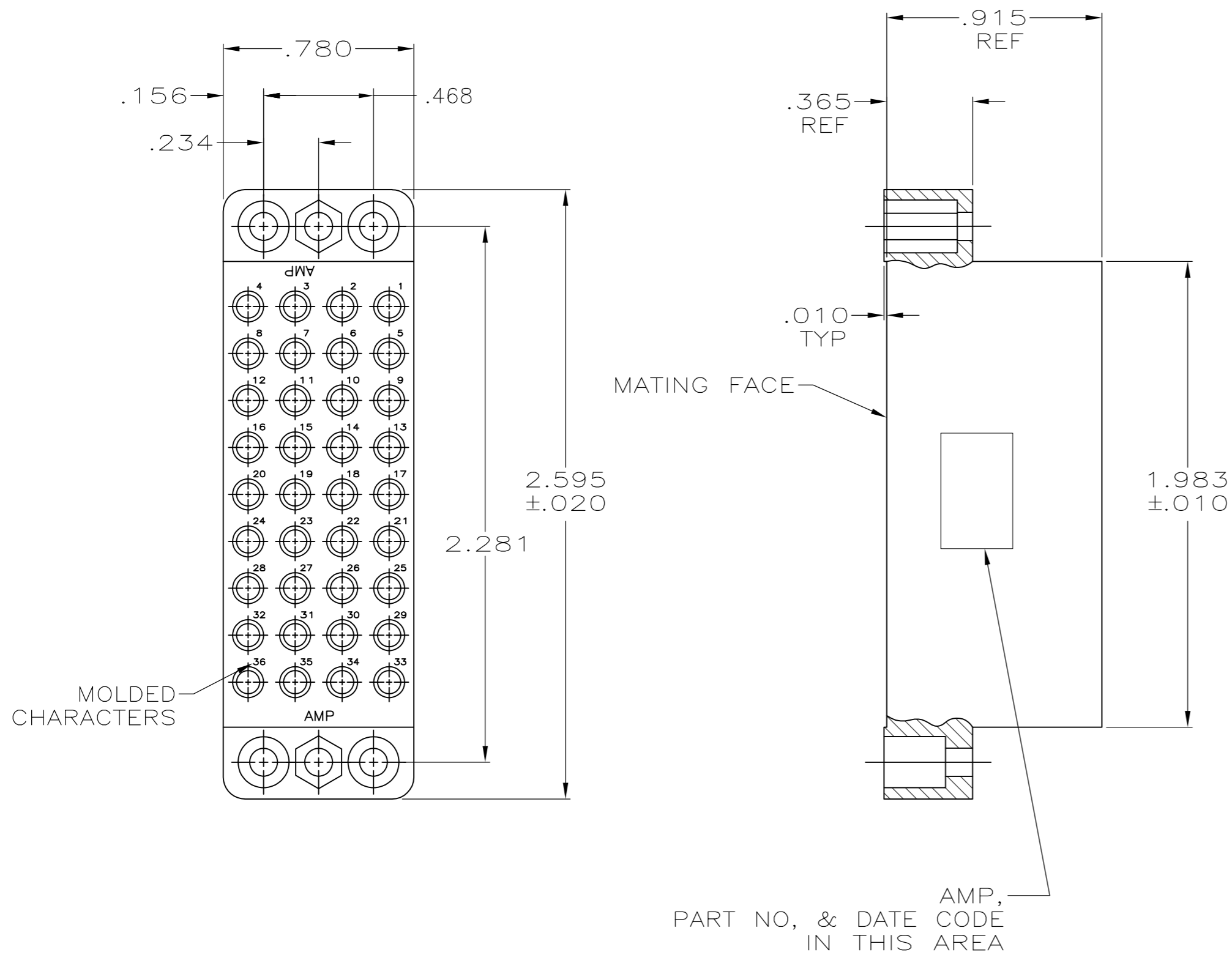


THIS DRAWING IS UNPUBLISHED. RELEASED FOR PUBLICATION  
 © COPYRIGHT BY TYCO ELECTRONICS CORPORATION. ALL RIGHTS RESERVED.

LOC		DIST		REVISIONS			
P	LTR	DESCRIPTION	DATE	DWN	APVD		
FT	0	K	REVISED PER ECO-07-025670	11/6/07	SS	GS	



SUGGESTED PANEL CUTOUT

1. ACCOMODATES TYPE II OR III+ #16 SOCKET CONTACTS.

205076-2  
PART NUMBER

THIS DRAWING IS A CONTROLLED DOCUMENT.		DWN B. MOYER 04/22/91	Tyco Electronics Corporation Harrisburg, PA 17105-3608																						
DIMENSIONS: INCHES		CHK R. STONE 05/08/91	NAME																						
TOLERANCES UNLESS OTHERWISE SPECIFIED:		APVD -	PRODUCT SPEC																						
<table border="0"> <tr><td>0 PLC</td><td>±</td><td>-</td></tr> <tr><td>1 PLC</td><td>±</td><td>-</td></tr> <tr><td>2 PLC</td><td>±</td><td>-</td></tr> <tr><td>3 PLC</td><td>±</td><td>.005</td></tr> <tr><td>4 PLC</td><td>±</td><td>-</td></tr> <tr><td>ANGLES</td><td>±</td><td>-</td></tr> <tr><td>FINISH</td><td>-</td><td>-</td></tr> </table>		0 PLC	±	-	1 PLC	±	-	2 PLC	±	-	3 PLC	±	.005	4 PLC	±	-	ANGLES	±	-	FINISH	-	-	APPLICATION SPEC	HOUSING, PLUG, 36 POSITION, M SERIES	
0 PLC	±	-																							
1 PLC	±	-																							
2 PLC	±	-																							
3 PLC	±	.005																							
4 PLC	±	-																							
ANGLES	±	-																							
FINISH	-	-																							
MATERIAL PHENOLIC PER MIL-M-14,	FINISH -	WEIGHT -	SIZE A2	CAGE CODE 00779																					
CUSTOMER DRAWING		SCALE 2:1	DRAWING NO C=205076	RESTRICTED TO -																					
		SHEET 1 of 1	REV K																						