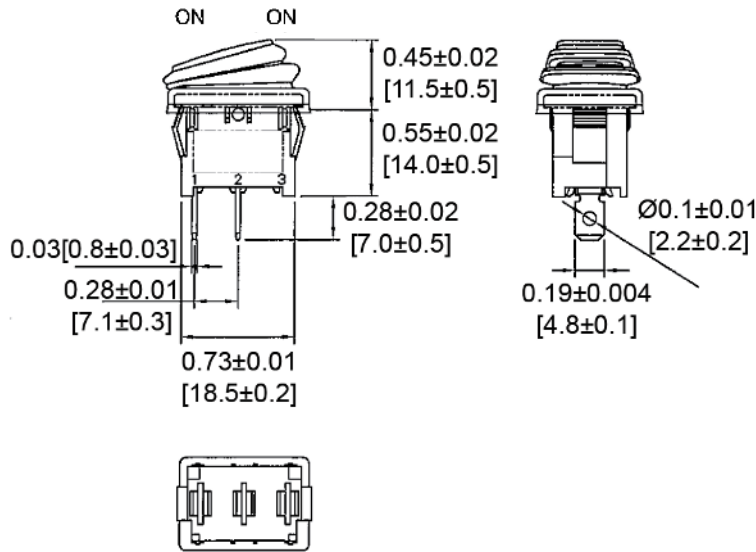
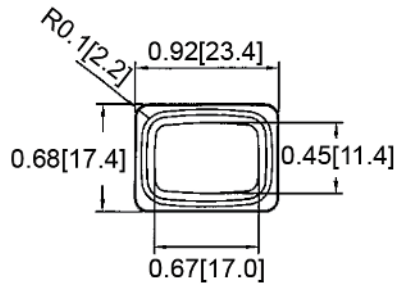
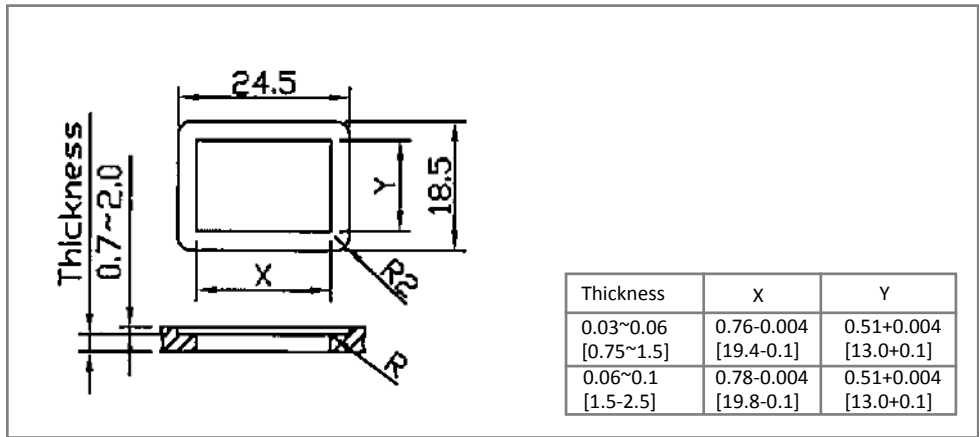


Mechanical Dimensions: Inches [mm]

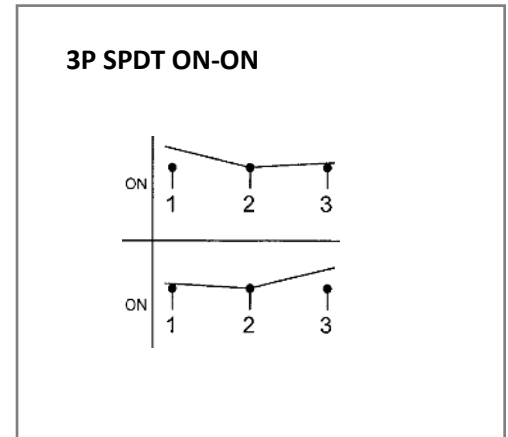
less Otherwise Specified



Mounting Hole



Circuit Diagram



Electrical Specifications

Rating	16A 125V AC 1/3HP, 10A 250V AC 1/2HP 16(4)A 125/250V AC
Contact Resistance	50m ohm Max
Insulation Resistance	DC 500V 100M ohm Min
Dielectric Strength	AC 1500V 1 minute
Operation Temperature	-20°C~85°C

Material Specifications

Frame	Black, Nylon 66
Actuator	Black, PC
Terminals	Silver plated , Copper alloy
Waterproof	IP-65
Waterproof rubber	Black, silicone

Rev	Date of issue	Revision Notes	Designed	Approved
B	12-01-2021	Initial Drawing	RC	OF