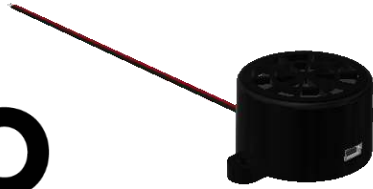




# PUIaudio



Data Sheet

API-4260-LW150-2-R

PUI Audio's all-new **API-4260-LW150-2-R** audio programmable indicator makes adding audio files easier than ever before! Connect the API-4260-LW150-2-R to any computer (Window, Linux, or Mac) and simply drag-and-drop mono audio files the same as you would a USB flash drive.

A larger 4MB storage size allows for longer files (WAV or MP3) or for sequential playback of multiple files, while the all-new internal DAC allows for 48 kHz sampling rates for true frequency response out to 20 kHz.

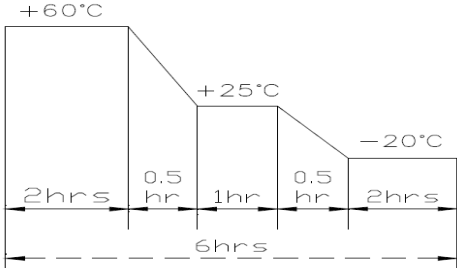
### Features:

- Easy drag-and-drop file transfer on nearly any computer
- 150mm lead wires and mounting flanges for easy integration
- Wide 100 Hz to 20 kHz frequency response

### Specifications

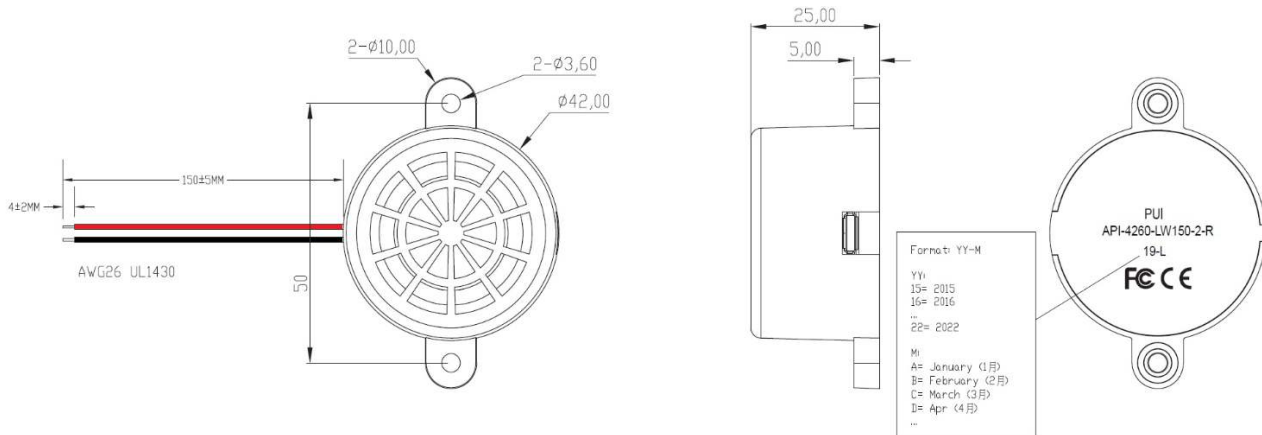
Parameters	Values	Units
Rated Voltage	12	VDC
Operating Voltage Range	7 ~ 24	VDC
Current Draw at Rated Voltage	350	mA
Minimum SPL @ 10cm (1 kHz tone recorded at 0 dB reference level)	100	dBa
Frequency Range (-10 dB)	100 ~ 20,000	Hz
Tone or Pulse Rate	Repeating	-
Housing Material	ABS	-
Terminal Material	Lead Wires	UL1430 AWG 26
Weight	27	Grams
Acceptable Soldering Methods	Hand Solder	-
Compliances	RoHS/REACH, FCC Part 15 Class B, CE EN61000-6-1, CE EN61000-6-3	-
Storage Temperature	-30 ~ +70	°C
Operating Temperature	-20 ~ +60	°C

## Reliability Testing

Type of Test	Test Specifications
High Temperature Test	96 hours at 60°C followed by 6 hours in normal room temperature
Low Temperature Test	96 hours at -20°C followed by 6 hours in normal room temperature
Humidity Test	96 hours at +40°C with relative humidity at 92% followed by 3 hours in normal room temperature
Temperature Cycle Testing	Part is testing according to the below chart for 5 cycles: 
Vibration Test	1.5Hz to 5Hz to 1.5Hz cycles, 15 minutes per cycle. 2 hours in each axis X, Y, and Z.
Drop Test	Drop product onto 40mm thick wooden board 10 times from a height of 75cm.

After each test, the part's SPL shall be no less than 97 dB with 1 kHz sinewave file and 12 VDC applied.

## Dimensions (Red-wire is positive +, black-wire is negative -)



**Specifications Revisions**

<b>Revision</b>	<b>Description</b>	<b>Date</b>
-	RELEASED FROM ENGINEERING	1/21/2020
A	Revised Programable Features	

Note:

1. Unless otherwise specified:
  - A. All dimensions are in millimeters.
  - B. Default tolerances are  $\pm 0.5\text{mm}$  and angles are  $\pm 3^\circ$ .
2. Specifications subject to change or withdrawal without notice.

## Using the API-4260-LW150-2-R

### Requirements:

1. Any laptop or desktop computer with USB ports.
2. USB-A Male to Mini USB-B Male cable.
3. API-4260-LW150-2-R



### Loading files onto the API-4260-LW150-2-R

The API-4260-LW150-2-R features 4MB of on-board flash memory and can play back any mono .wav or .mp3 audio file that is 4MB or smaller. If your file is larger than 4MB, please use a program, such as [Audacity®](#), to compress the file or shorten the total amount of time the file takes to play, to decrease the file size.

If your audio file contains stereo, two-channel, information, please use Audacity to mix down the file to a mono (single-channel) file.

**Note:** Many audio files are saved at different levels. It is best to use a program such as Audacity to ensure that there is not a clipped signal (levels at 0 dB or above) to prevent the speaker within the API-4260-LW150-2-R from being damaged. You may also use software to increase gain levels for more output. It is recommended to keep the maximum level below -3 dB if possible (with 0 dB referenced as maximum signal level).

Multiple files may be loaded onto the API-4260-LW150-2-R. Files will play back according to the file name in alpha-numeric order. Add a number to the beginning of the file name to create the order in which you would like the files to play. Please note: Files play consecutively without any pause between the files.

1. With a USB-A Male to Mini USB-B Male cable in-hand, and no power applied to the API-4260-LW150-2-R, plug the USB-A Male connector into your computer and the Mini USB-B Male connector into the API-4260-LW150-2-R.
2. The API-4260-LW150-2-R should be recognized by your computer as a USB flash drive and the default drivers for a USB drive will be assigned to the device, as well as a unique disk drive letter assignment (such as D:).
3. Drag-and-drop your audio files into the API-4260-LW150-2-R, and you're done!
4. Disconnect the USB cable from the API-4260-LW150-2-R and computer and apply a DC voltage between 7 and 24 VDC to the red and black leads (while observing polarity). The API-4260-LW150-2-R will play back your audio files according to the order you have assigned to them.

**Note:** In some instances, it may be necessary to use a File Explorer program to find and delete two hidden files/folders (.fseventsd and .Trashes) that are automatically loaded onto the API once connected to some computers. If your API does not repeat the loaded files once voltage is applied, please delete the .fseventsd and .Trashes files and folders.