

# High Frequency Ceramic Solutions

## 2.5 GHz Band Pass Filter

P/N 2500BP15M400

Detail Specification: 8/30/2022

Page 1 of 3

### General Specifications

Part Number	2500BP15M400	Impedance	50 Ω
Frequency (MHz)	2300 - 2700	Input Power	3W max.
Insertion Loss	2.0 dB max.	Operating Temperature	-40 to +105°C
Return Loss	9.5 dB min.	Recommended Storage Conditions	+5 ~ +35°C, Humidity 45~75%RH, 12 mos. Max*
Attenuation (min.)	15 dB @ 100 -1800 MHz	Reel Quantity	4,000
Attenuation (min.)	20 dB @ 3400 - 11700 MHz		

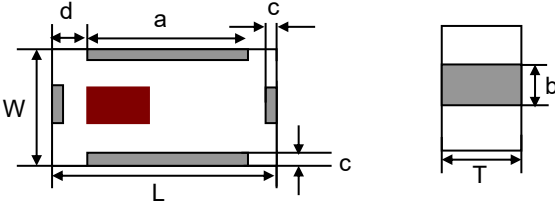
\* - 6 months shelf life in bag; 1 week shelf life out of bag; Vacuum reseal unused reel

### Part Number Explanation

P/N Suffix	Packing Style	Bulk	Suffix = S	eg. 2500BP15M400S
		T & R	Suffix = E	eg. 2500BP15M400E
	Termination style	Ag/Pt	Suffix = None	eg. 2500BP15M400(E or S)
	Evaluation Board	50Ω SMA	Suffix = EB-SMA	eg. 2500BP15M400-EB-SMA

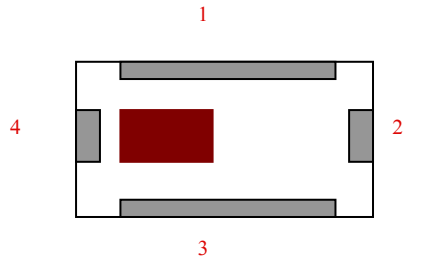
### Mechanical Dimensions

	In	mm
L	0.079 ± 0.006	2.00 ± 0.15
W	0.049 ± 0.004	1.25 ± 0.10
T	0.037 ± 0.004	0.95 ± 0.10
a	0.049 ± 0.006	1.25 ± 0.15
b	0.012 ± 0.006	0.30 ± 0.15
c	0.010 + 0.006	0.25 + 0.15
g	0.014 + 0.006	0.35 + 0.15



### Terminal Configuration

No.	Function
1	GND
2	OUT
3	GND
4	IN

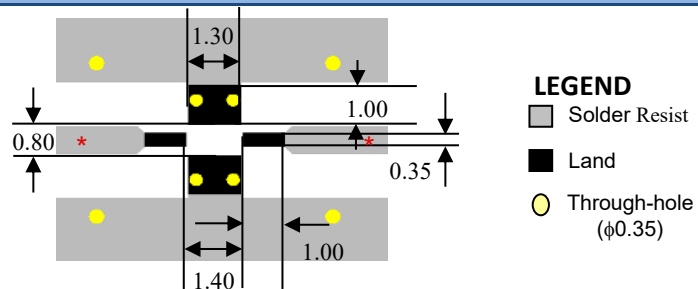


### Mounting Considerations

Mount these devices with brown mark facing up.

\*Line width should be designed to provide 50 Ω impedance matching characteristics.

Units: mm



# "High Frequency Ceramic Solutions"

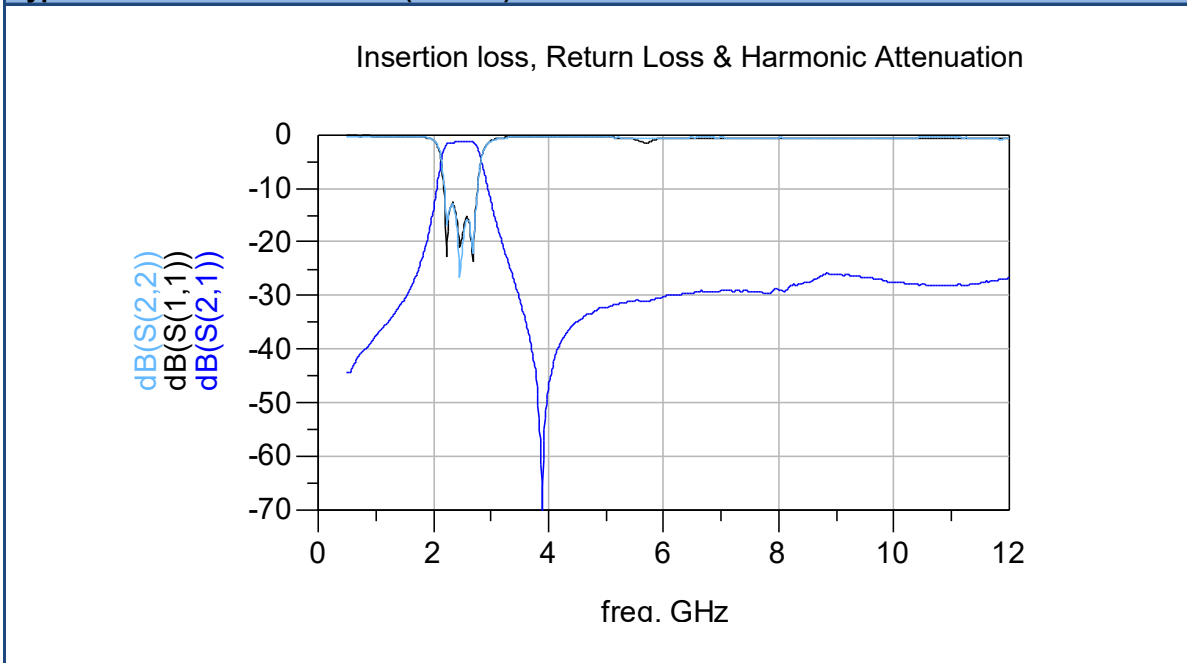
## 2.5 GHz Band Pass Filter

P/N 2500BP15M400

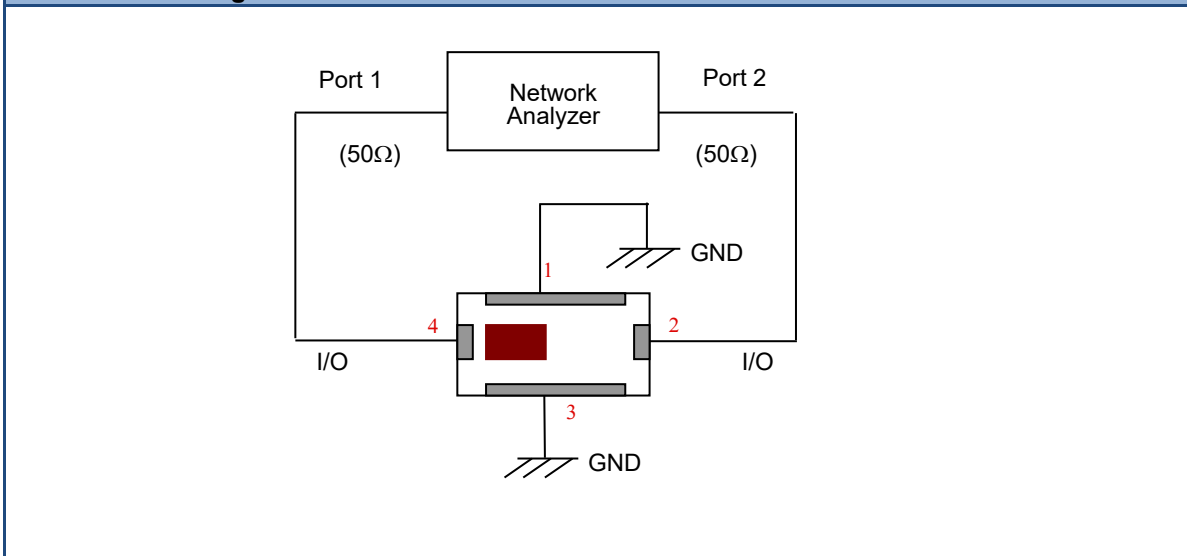
Detail Specification: 8/30/2022

Page 2 of 3

### Typical Electrical Performance (T=25°C)



### Measurement Diagram



Johanson Technology, Inc. reserves the right to make design changes without notice. Please confirm the specifications and delivery conditions when placing your order. All sales are subject to Johanson Technology, Inc. terms and conditions.

# High Frequency Ceramic Solutions

## 2.5 GHz Band Pass Filter

P/N 2500BP15M400

Detail Specification: 8/30/2022

Page 3 of 3

### Application Notes, Layout Files, and more

<https://www.johansontechnology.com/band-pass-filters>

### Packaging information

<https://www.johansontechnology.com/tape-reel-packaging>

### Soldering Information

<https://www.johansontechnology.com/ipcsoldering-profile>

### MSL Info

<https://www.johansontechnology.com/msl-rating>

### Recommended Storage Condition and Max Shelf Life

<https://www.johansontechnology.com/recommended-storage-conditions>

### RoHS Compliance

<https://www.johansontechnology.com/rohs-compliance>

### Antenna layout and tuning techniques

<https://www.johansontechnology.com/tuning>

### Antenna layout review, tuning, and characterization services

<https://www.johansontechnology.com/ipc-antenna-services>