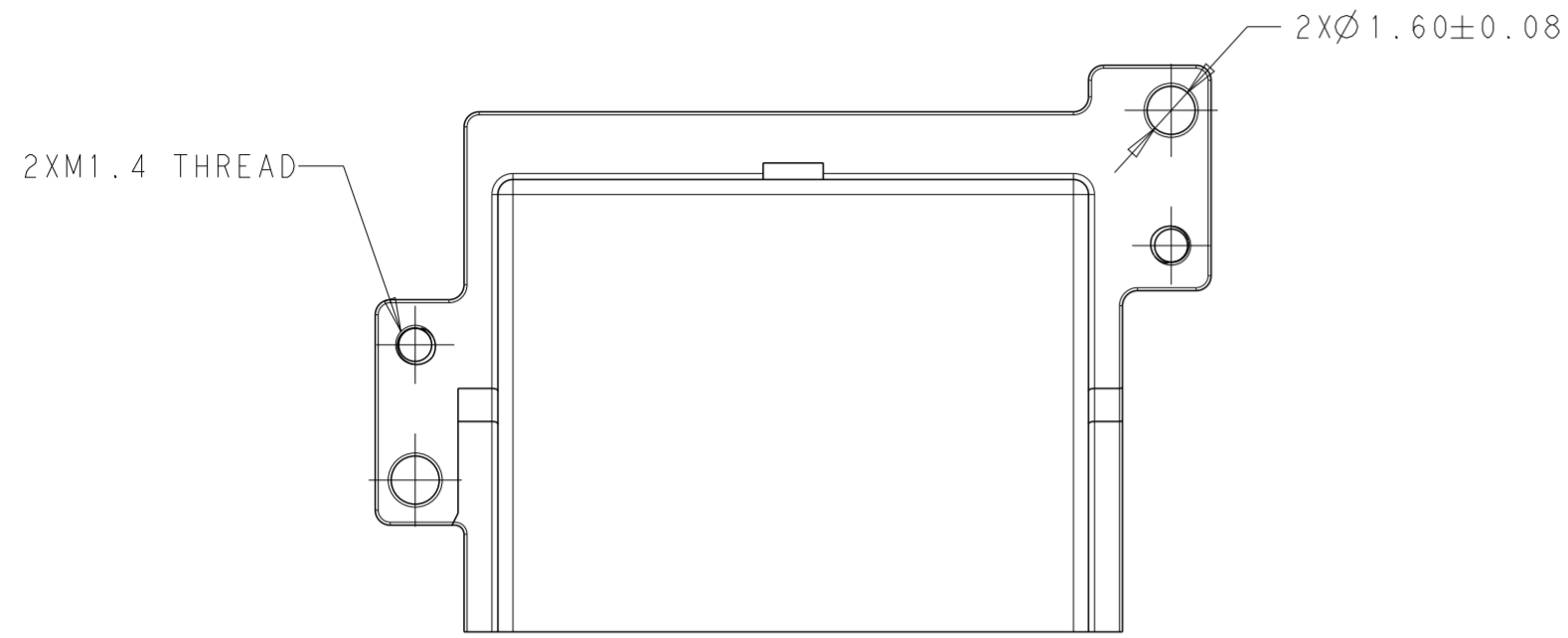
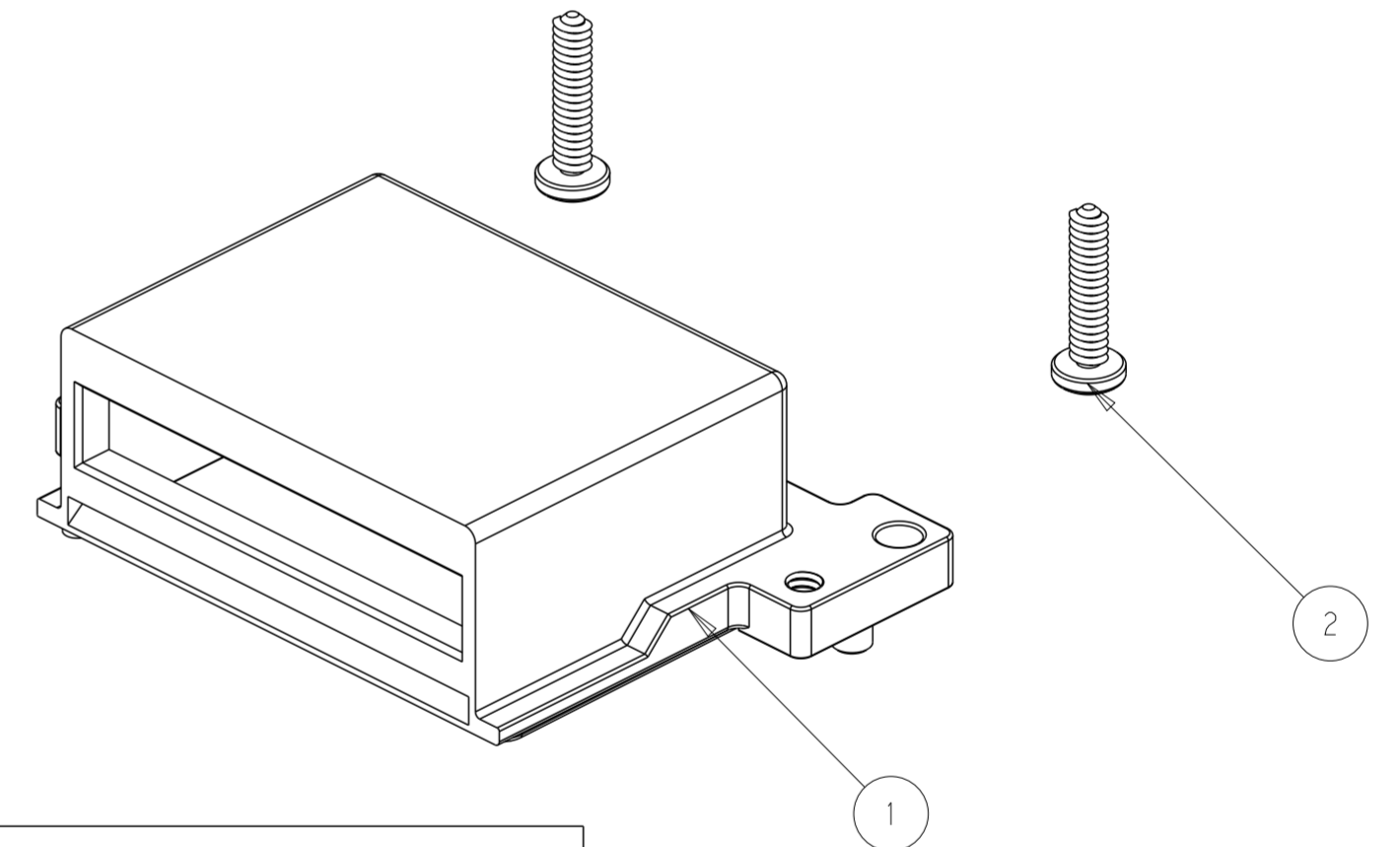
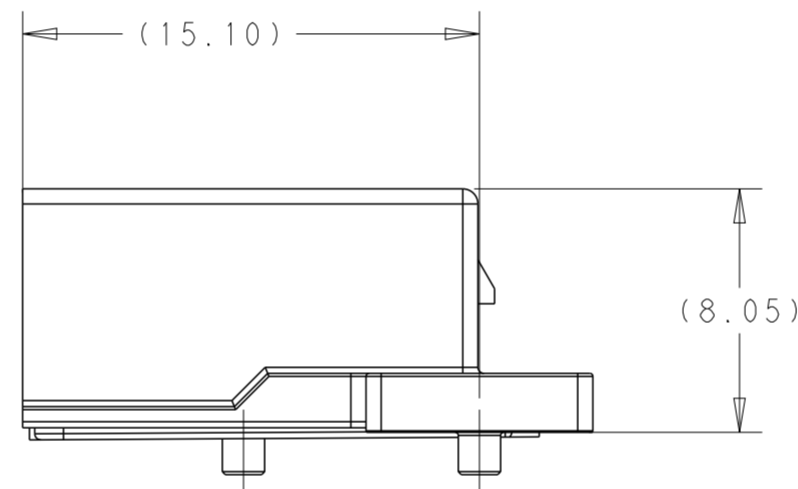
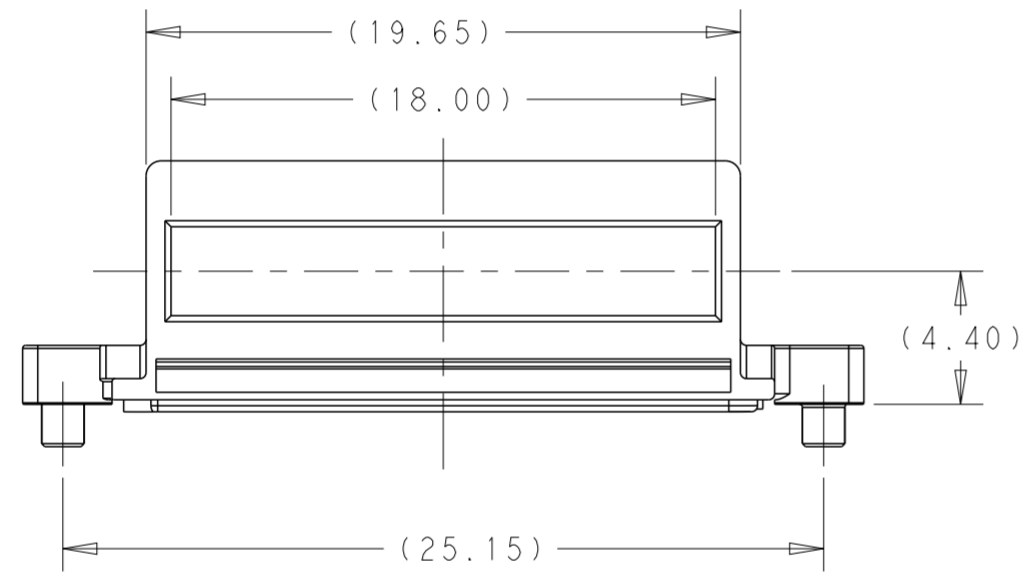


THIS DRAWING IS UNPUBLISHED. RELEASED FOR PUBLICATION 20
 © COPYRIGHT 20 BY - ALL RIGHTS RESERVED.

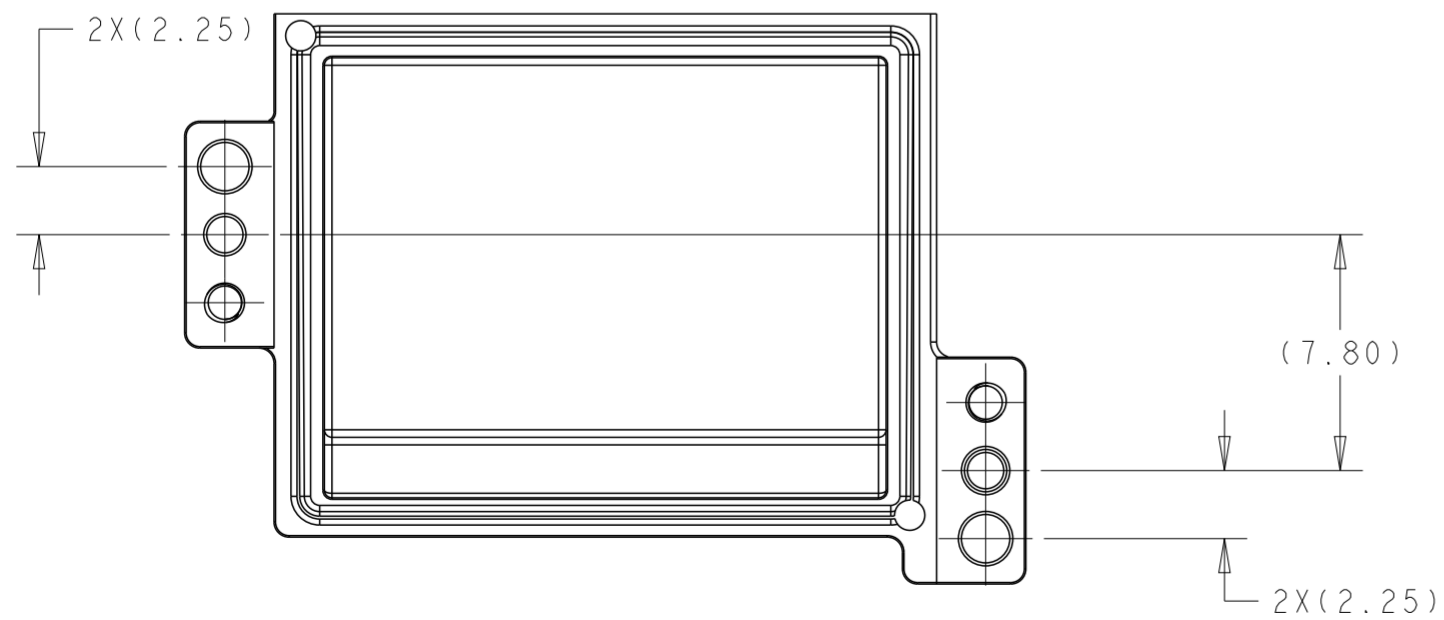
REVISIONS				
P	LTR	DESCRIPTION	DATE	APVD
1		PRELIMINARY DRAWING	24MAY2016	AD SH
2		REVISED PER ECN-22-167680	03AUG2022	AK SZ



- 1.MATERIAL:RECEPTACLE COVER:ZNIC ALLOY
GASKET: SILICON
SCREW:STAINLESS STEEL
- 2.PLATING: RECEPTACLE COVER:1.27 μ m MIN. NICKEL OVER COPPER PLATING
- 3.MATES WITH MSA COMPLIANT TRANSCEIVERS.
- 4.PACKAGED AS SEPARATED KITS IN ONE BOX .



OBSOLETE



2	2292789-1	M1.4X6 SCREW	2
1	2288228-1	RECEPTACLE COVER WITH GASKET	1
-1	PART/MATERIAL	DESCRIPTION	ITEM

DIMENSIONS:		TOLERANCES UNLESS OTHERWISE SPECIFIED:		APVD		NAME						
mm		0 PLC	\pm	DWN	ANDY.XIE	24MAY2016	TE Connectivity RECEPTACLE COVER WITH SCREW CFP4 1X1					
		1 PLC	\pm 0.25	CHK	SEAN.HAN	24MAY2016						
		2 PLC	\pm 0.15	APVD	SEAN.HAN	24MAY2016						
		3 PLC	\pm 0.10	PRODUCT SPEC								
		4 PLC	\pm	APPLICATION SPEC			SIZE	CAGE CODE	DRAWING NO	RESTRICTED TO		
MATERIAL	-	ANGLES	\pm	WEIGHT	-		A2	-	G-2304455	-		
	-	FINISH	-	CUSTOMER DRAWING			SCALE	1:1	SHEET	1 OF 1	REV	2